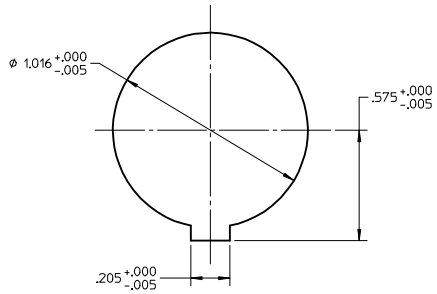
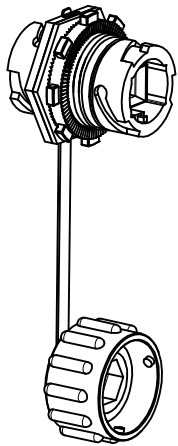


SC IN-LINE ADAPTER P/N	CONNECTOR TYPE
1060594100	SINGLE MODE
1060594110	MULTIMODE
1060594120	APC



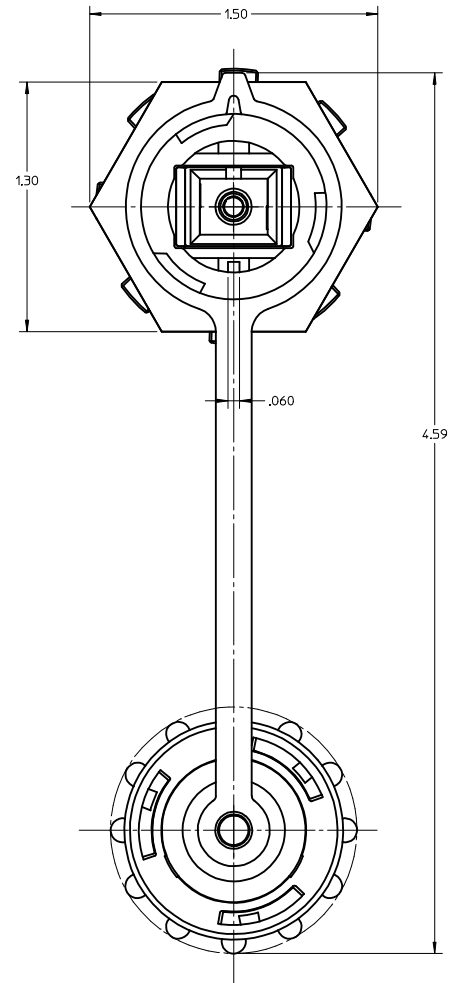
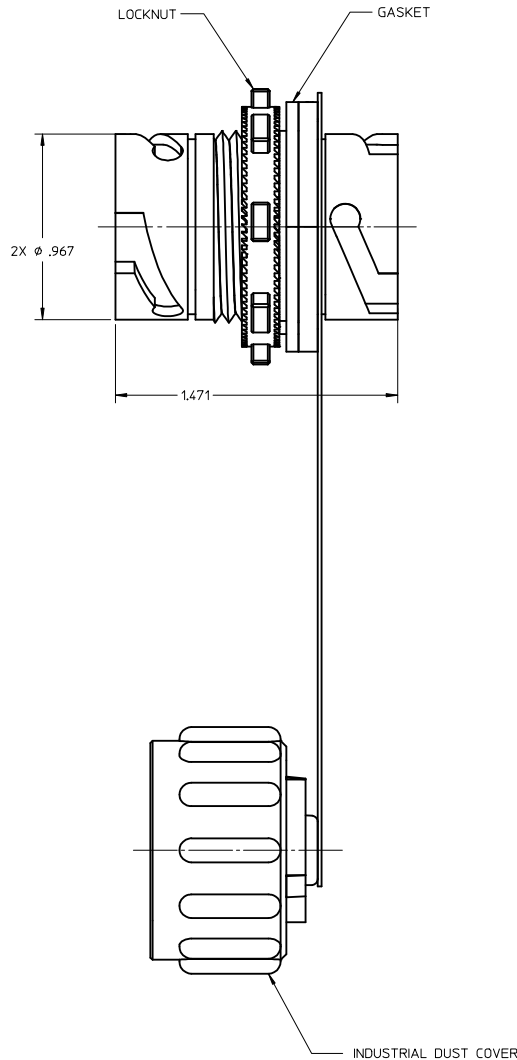
RECOMMENDED MOUNTING CUTOUT



ISOMETRIC VIEW
SCALE 1:1

NOTES:

ALL DIMENSIONS ARE FOR REFERENCE ONLY.



ENTER DESCRIPTION EC NO: MF2007-0511 DRW: RDDBAL TRUKONIS CHKD: APPR: IGJMIN 2007/02/17	QUALITY SYMBOLS ▽=0 ▽=0	GENERAL TOLERANCES (UNLESS SPECIFIED) <table border="1"> <thead> <tr> <th></th> <th>mm</th> <th>INCH</th> </tr> </thead> <tbody> <tr> <td>4 PLACES</td> <td>± .005</td> <td>± .0005</td> </tr> <tr> <td>3 PLACES</td> <td>± .005</td> <td>± .0005</td> </tr> <tr> <td>2 PLACES</td> <td>± .005</td> <td>± .0005</td> </tr> <tr> <td>1 PLACE</td> <td>± .005</td> <td>± .0005</td> </tr> </tbody> </table>		mm	INCH	4 PLACES	± .005	± .0005	3 PLACES	± .005	± .0005	2 PLACES	± .005	± .0005	1 PLACE	± .005	± .0005	DIMENSION STYLE INCH ONLY	SCALE 2:1	DESIGN UNITS INCH	THIRD ANGLE PROJECTION
		mm	INCH																		
	4 PLACES	± .005	± .0005																		
	3 PLACES	± .005	± .0005																		
2 PLACES	± .005	± .0005																			
1 PLACE	± .005	± .0005																			
DRAFT WHERE APPLICABLE MUST REMAIN WITHIN DIMENSIONS	DRAWN BY D.B.	DATE 2006/6/29	SC IN-LINE INDUSTRIAL ADAPTER																		
MATERIAL NO. 10605941X0	APPROVED BY I.G.	DATE 2006/6/29	MOLEX INCORPORATED																		
SIZE C	DOCUMENT NO. SD-106059-41X0		SHEET NO. 1 OF 1																		