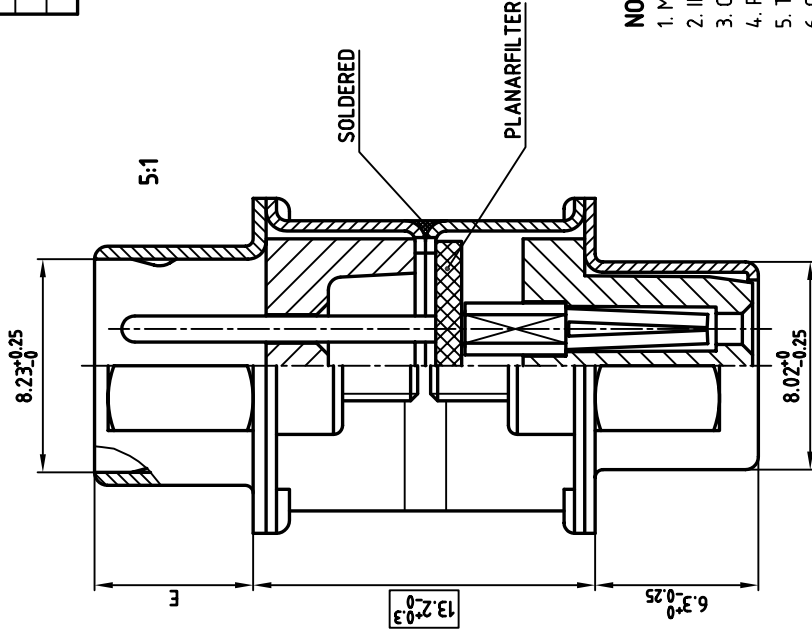
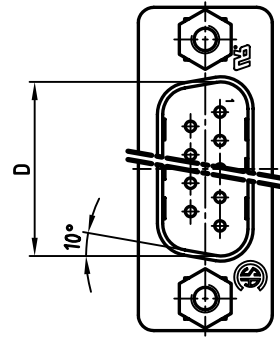
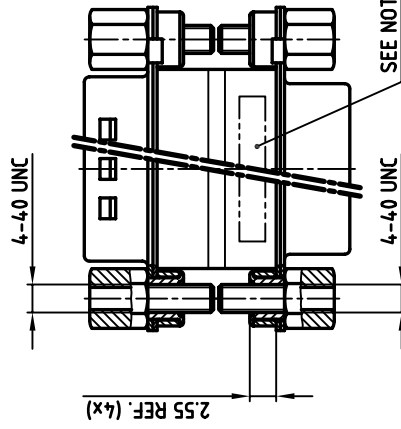
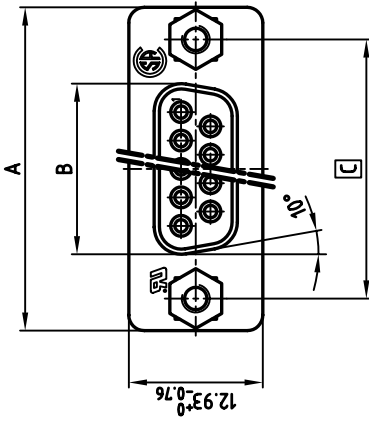


used for: FILTER ADAPTER

POS.	A <sup>-0.76</sup>	B <sup>-0.25</sup>	C	D <sup>+0.25</sup>	E <sup>-0.3</sup>	PART NO.
9	31.19	16.46	25.00 <sup>+0.13</sup> <sub>-0.13</sub>	16.79	6.12	<b>243A13240X</b>
15	39.52	24.79	33.30 <sup>+0.15</sup> <sub>-0.1</sub>	25.12	6.12	<b>243A13250X</b>
25	53.42	38.50	47.04 <sup>+0.13</sup>	38.84	5.99	<b>243A13260X</b>
37	69.70	54.96	63.50 <sup>+0.13</sup>	55.30	5.99	<b>243A13270X</b>



**NOTES:**

- METAL SHELLS: STEEL; min. 320µ" TIN
- INSULATORS: PBT GF UL 94 V-0, BLACK
- CONTACTS: COPPER ALLOY
- PLATING: min. 8µ" HARD GOLD OVER min. 50µ" NICKEL
- THREADED INSERT: COPPER ALLOY; min. 200µ" TIN over 80µ" NICKEL
- COLLAR: COPPER ALLOY; min. 200µ" TIN over 80µ" NICKEL
- CAPACITANCE: 1300pF ±20%
- DIELECTRIC WITHSTANDING VOLTAGE: 424 VDC
- MAXIMUM TORQUE VALUE FOR THREAD: 6" LBS
- CONNECTOR IS PART MARKED: PART-NO. CONEC Y/A/W
- [ ] = CRITICAL DIMENSION

Directive 2002/95/EC  
RoHS  
Compliant

THIS DRAWING MAY NOT BE COPIED OR REPRODUCED IN ANY WAY, AND MAY NOT BE PASSED ON TO A THIRD PARTY WITHOUT WRITTEN PERMISSION.  
OWNERSHIP AND COPYRIGHT OF CONEC GMBH  
DO NOT ALTER CAD DRAWING BY HAND

2002	date	name	tolerance
drawn	21.05.	Pareil	
appd.	21.05.	E. Mickenbecker	
norm		DIN 41652	
e-old			

scale:	2:1 (5:1)
material:	SEE NOTES
file:	D-FILTER ADAPTER
	9-37pos.
	with threaded insert
dwg no:	AutoCAD 2000
	DIN-A
	3
	sh: 1/1
part no:	<b>24K1A254</b>
	SEE TABLE

