

N-channel 60 V, 3.3 mΩ typ., 25 A STripFET™ VI DeepGATE™ Power MOSFET in a PowerFLAT™ 5x6 package

Datasheet – production data



Features

| Order code | V _{DS} | R _{DS(on)} max | I _D |
|-------------|-----------------|-------------------------|----------------|
| STL100N6LF6 | 60 V | 4.4 mΩ | 25 A |

- Low gate charge
- Very low on-resistance
- High avalanche ruggedness

Applications

- Switching applications

Description

This device is an N-channel Power MOSFET developed using the 6th generation of STripFET™ DeepGATE™ technology, with a new gate structure. The resulting Power MOSFET exhibits the lowest R_{DS(on)} in all packages.

Figure 1. Internal schematic diagram

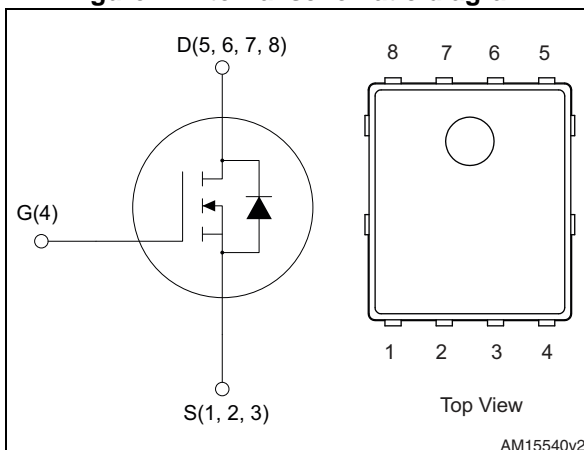


Table 1. Device summary

| Order code | Marking | Package | Packaging |
|-------------|----------|----------------|---------------|
| STL100N6LF6 | 100N6LF6 | PowerFLAT™ 5x6 | Tape and reel |

Contents

| | | |
|----------|---|-----------|
| 1 | Electrical ratings | 3 |
| 2 | Electrical characteristics | 4 |
| 2.1 | Electrical characteristics (curves) | 6 |
| 3 | Test circuits | 8 |
| 4 | Package mechanical data | 9 |
| 5 | Packaging mechanical data | 12 |
| 6 | Revision history | 14 |

1 Electrical ratings

Table 2. Absolute maximum ratings

| Symbol | Parameter | Value | Unit |
|-----------------|--|-------------|------------------|
| V_{DS} | Drain-source voltage | 60 | V |
| V_{GS} | Gate-source voltage | ± 20 | V |
| $I_D^{(1)}$ | Drain current (continuous) at $T_C = 25\text{ }^\circ\text{C}$ | 130 | A |
| $I_D^{(2)}$ | Drain current (continuous) at $T_{pcb} = 25\text{ }^\circ\text{C}$ | 25 | A |
| $I_D^{(2)}$ | Drain current (continuous) at $T_{pcb}=100\text{ }^\circ\text{C}$ | 18 | A |
| $I_{DM}^{(3)}$ | Drain current (pulsed) | 100 | A |
| $P_{TOT}^{(2)}$ | Total dissipation at $T_{pcb} = 25\text{ }^\circ\text{C}$ | 4.8 | W |
| T_{stg} | Storage temperature | - 55 to 175 | $^\circ\text{C}$ |
| T_j | Operating junction temperature | | |

1. The value is rated according to R_{thj-c}
2. The value is rated according to $R_{thj-pcb}$
3. Pulse width limited by safe operating area

Table 3. Thermal data

| Symbol | Parameter | Value | Unit |
|---------------------|--------------------------------------|-------|--------------------|
| $R_{thj-pcb}^{(1)}$ | Thermal resistance junction-pcb max | 31.3 | $^\circ\text{C/W}$ |
| $R_{thj-case}$ | Thermal resistance junction-case max | 1.13 | $^\circ\text{C/W}$ |

1. When mounted on FR-4 board of 1 inch², 2 oz Cu, $t < 10$ sec

Table 4. Avalanche characteristics

| Symbol | Parameter | Max value | Unit |
|----------|--|-----------|------|
| I_{AS} | Avalanche current, repetitive or not-repetitive (pulse width limited by T_j max) | 10 | A |
| E_{AS} | Single pulse avalanche energy (starting $T_j = 25\text{ }^\circ\text{C}$, $I_D = I_{AS}$, $V_{DD} = 52\text{ V}$) | 1370 | mJ |

2 Electrical characteristics

($T_J = 25\text{ °C}$ unless otherwise specified)

Table 5. On/off states

| Symbol | Parameter | Test conditions | Min. | Typ. | Max. | Unit |
|---------------|--|--|------|------|-----------|---------------|
| $V_{(BR)DSS}$ | Drain-source breakdown voltage | $I_D = 1\text{ mA}$, $V_{GS} = 0$ | 60 | | | V |
| I_{DSS} | Zero gate voltage drain current ($V_{GS} = 0$) | $V_{DS} = 60\text{ V}$ | | | 1 | μA |
| | | $V_{DS} = 60\text{ V}$, $T_C = 125\text{ °C}$ | | | 10 | μA |
| I_{GSS} | Gate body leakage current ($V_{DS} = 0$) | $V_{GS} = \pm 20\text{ V}$ | | | ± 100 | nA |
| $V_{GS(th)}$ | Gate threshold voltage | $V_{DS} = V_{GS}$, $I_D = 250\text{ }\mu\text{A}$ | 1 | | 2.5 | V |
| $R_{DS(on)}$ | Static drain-source on-resistance | $V_{GS} = 10\text{ V}$, $I_D = 11\text{ A}$ | | 3.3 | 4.4 | m Ω |
| | | $V_{GS} = 4.5\text{ V}$, $I_D = 11\text{ A}$ | | 4.3 | 5.5 | m Ω |

Table 6. Dynamic

| Symbol | Parameter | Test conditions | Min. | Typ. | Max. | Unit |
|-----------|------------------------------|---|------|------|------|----------|
| C_{iss} | Input capacitance | $V_{DS} = 25\text{ V}$, $f = 1\text{ MHz}$, $V_{GS} = 0$ | - | 6600 | - | pF |
| C_{oss} | Output capacitance | | - | 670 | - | pF |
| C_{rss} | Reverse transfer capacitance | | - | 315 | - | pF |
| Q_g | Total gate charge | $V_{DD} = 30\text{ V}$, $I_D = 20\text{ A}$ | - | 121 | - | nC |
| Q_{gs} | Gate-source charge | $V_{GS} = 10\text{ V}$ | - | 17 | - | nC |
| Q_{gd} | Gate-drain charge | (see Figure 14) | - | 22 | - | nC |
| R_g | Gate input resistance | $f = 1\text{ MHz}$ Gate DC Bias=0 test signal level=20 mV $I_D = 0$ | - | 1.2 | - | Ω |

Table 7. Switching times

| Symbol | Parameter | Test conditions | Min. | Typ. | Max. | Unit |
|--------------|---------------------|--|------|------|------|------|
| $t_{d(on)}$ | Turn-on delay time | $V_{DD} = 30\text{ V}$, $I_D = 20\text{ A}$, $R_G = 4.7\text{ }\Omega$, $V_{GS} = 10\text{ V}$ (see Figure 13) | - | 20 | - | ns |
| t_r | Rise time | | - | 13 | - | ns |
| $t_{d(off)}$ | Turn-off delay time | | - | 108 | - | ns |
| t_f | Fall time | | - | 22 | - | ns |

Table 8. Source drain diode

| Symbol | Parameter | Test conditions | Min. | Typ. | Max | Unit |
|-----------------|-------------------------------|---|------|------|-----|------|
| I_{SD} | Source-drain current | | - | | 22 | A |
| $I_{SDM}^{(1)}$ | Source-drain current (pulsed) | | - | | 84 | A |
| $V_{SD}^{(2)}$ | Forward on voltage | $I_{SD} = 22 \text{ A}, V_{GS} = 0$ | - | | 1.3 | V |
| t_{rr} | Reverse recovery time | $I_{SD} = 20 \text{ A},$ $di/dt = 100 \text{ A}/\mu\text{s},$ $V_{DD} = 48\text{V}, T_J = 150 \text{ }^\circ\text{C}$ (see Figure 15) | - | 34 | | ns |
| Q_{rr} | Reverse recovery charge | | - | 44 | | nC |
| I_{RRM} | Reverse recovery current | | - | 2.6 | | A |

1. Pulse width limited by safe operating area
2. Pulsed: pulse duration=300 μs , duty cycle 1.5%

2.1 Electrical characteristics (curves)

Figure 2. Safe operating area

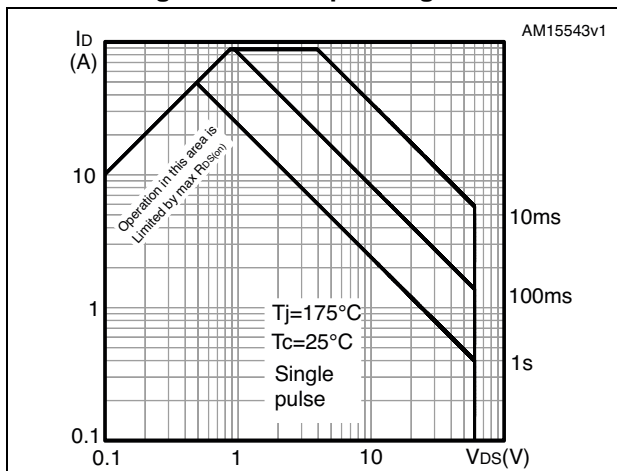


Figure 3. Thermal impedance

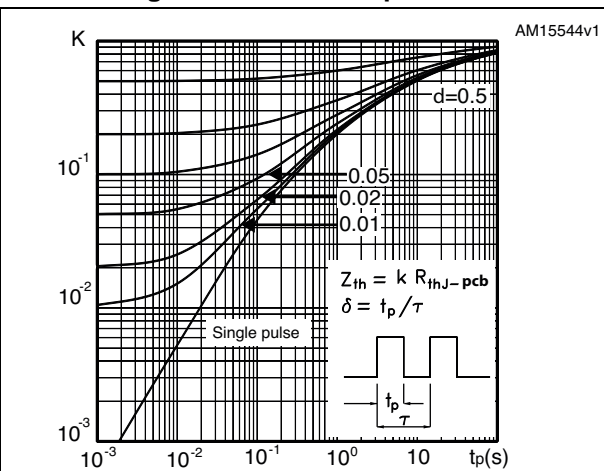


Figure 4. Output characteristics

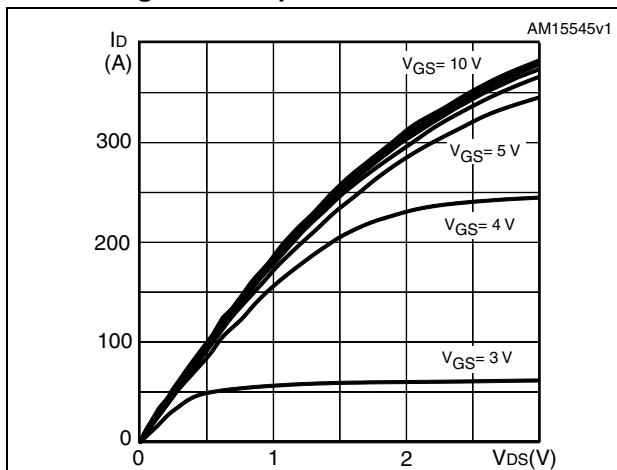


Figure 5. Transfer characteristics

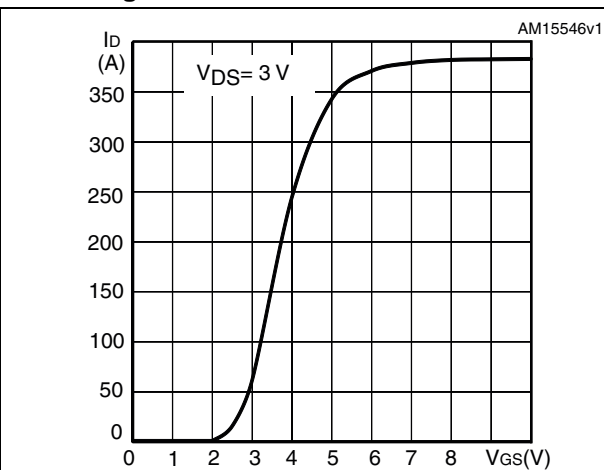


Figure 6. Gate charge vs gate-source voltage

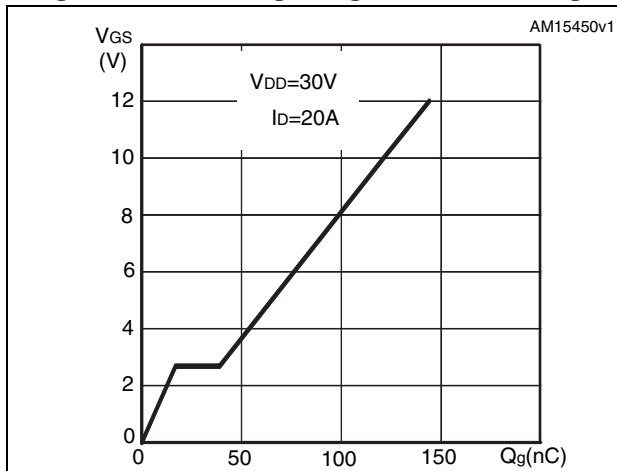


Figure 7. Static drain-source on-resistance

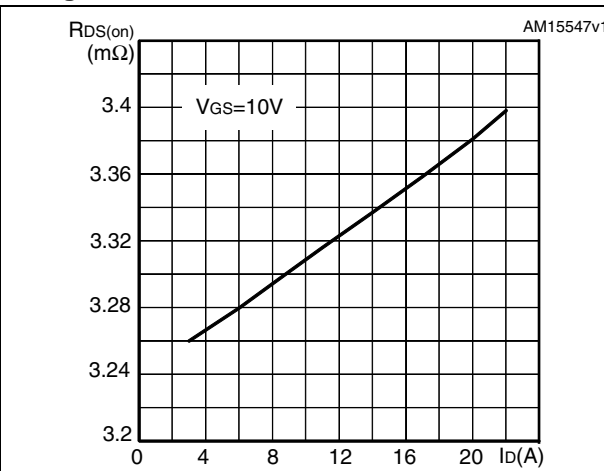


Figure 8. Capacitance variations

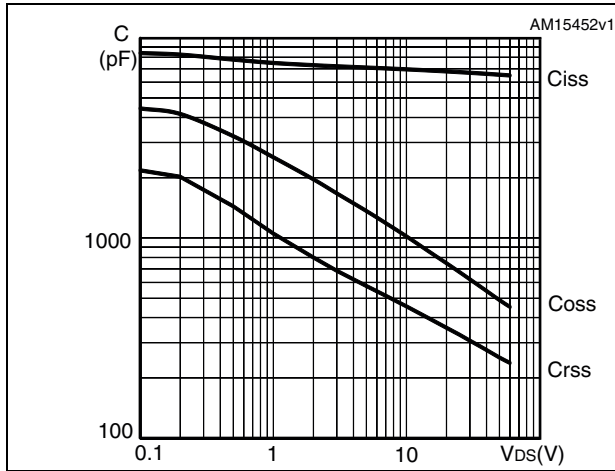


Figure 9. Source-drain diode forward characteristics

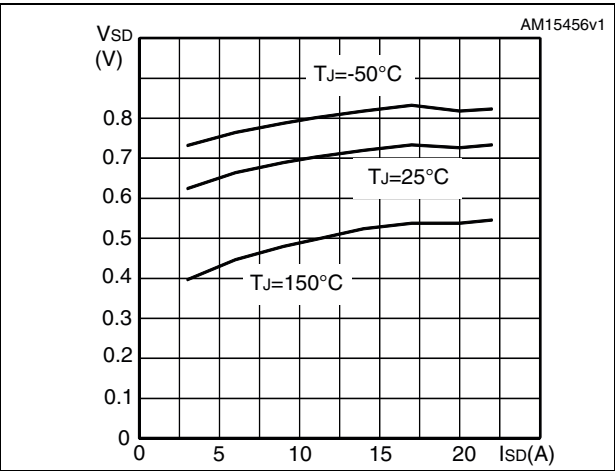


Figure 10. Normalized gate threshold voltage vs temperature

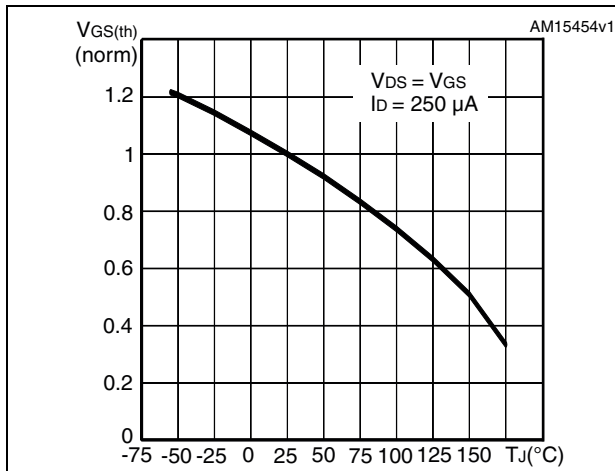


Figure 11. Normalized on-resistance vs temperature

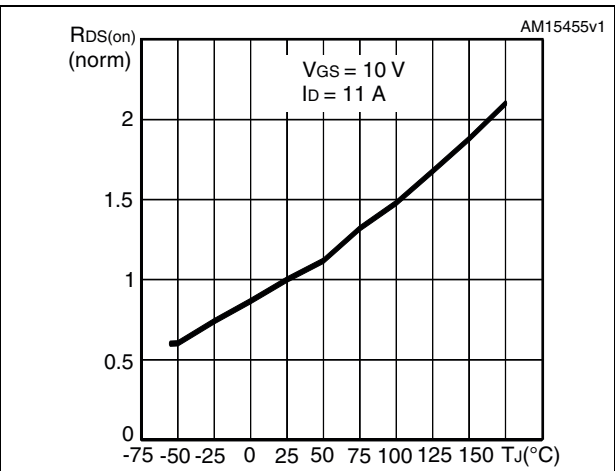
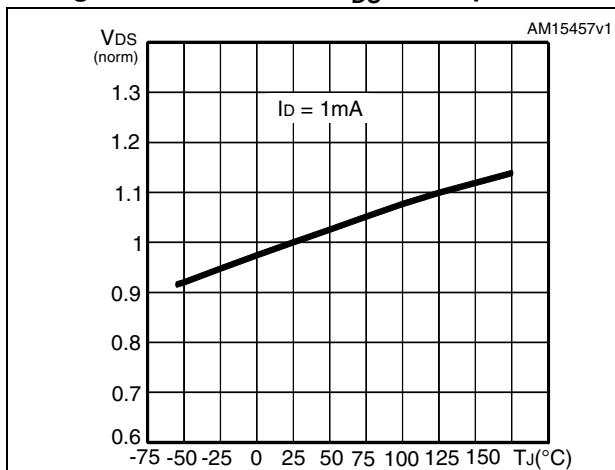


Figure 12. Normalized VDS vs temperature



3 Test circuits

Figure 13. Switching times test circuit for resistive load

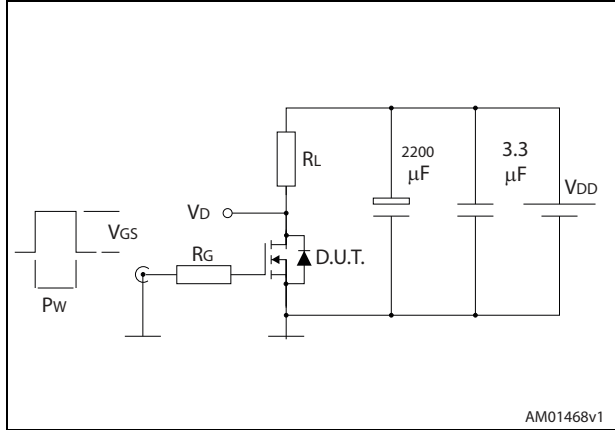


Figure 14. Gate charge test circuit

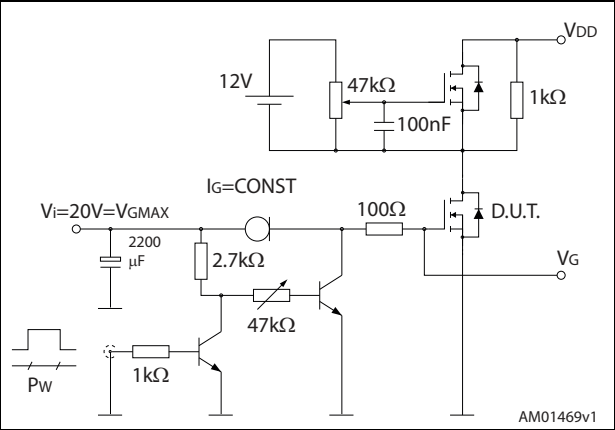


Figure 15. Test circuit for inductive load switching and diode recovery times

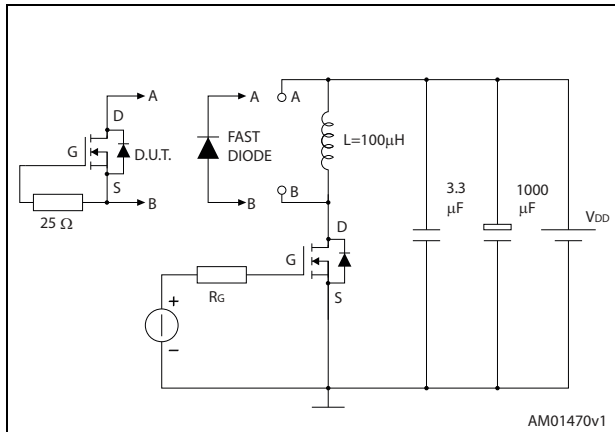


Figure 16. Unclamped inductive load test circuit

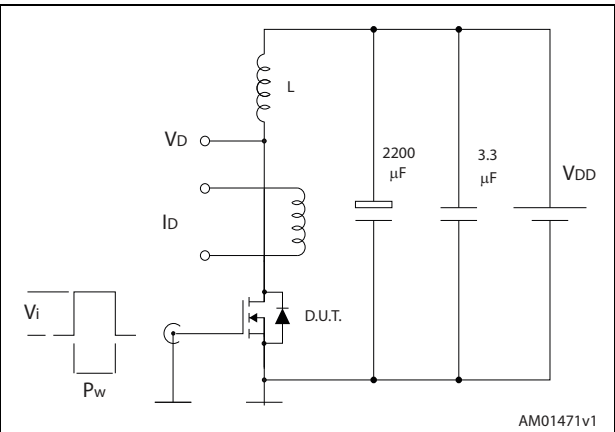


Figure 17. Unclamped inductive waveform

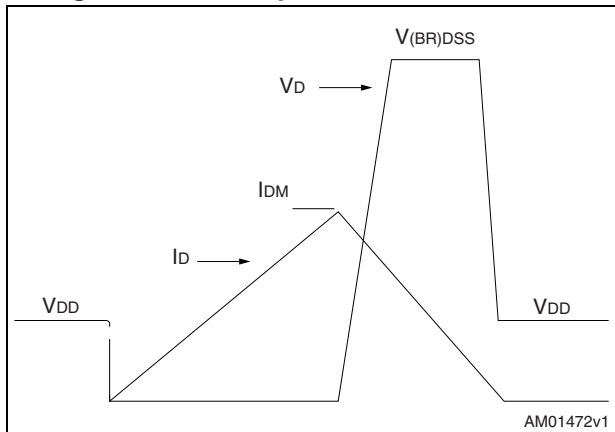
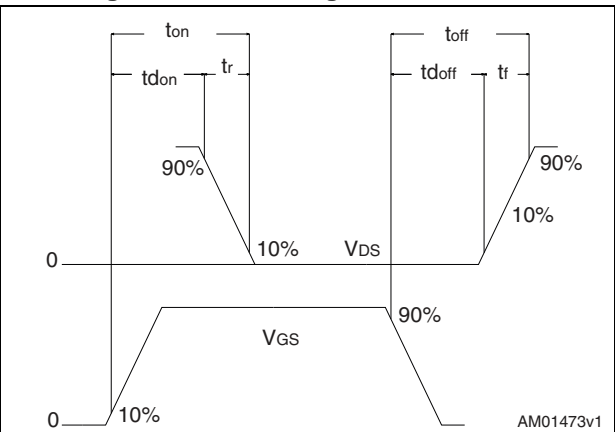


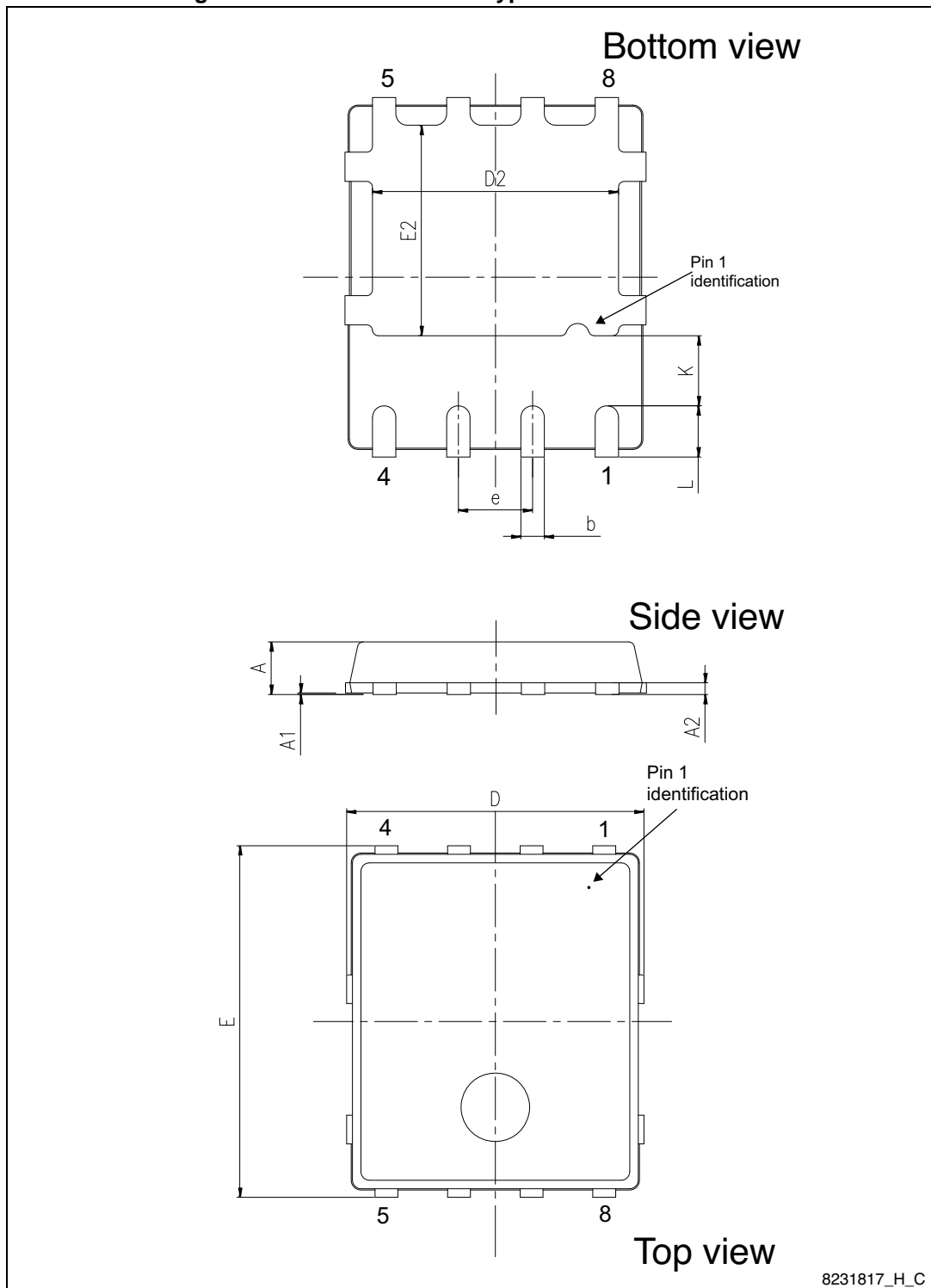
Figure 18. Switching time waveform



4 Package mechanical data

In order to meet environmental requirements, ST offers these devices in different grades of ECOPACK[®] packages, depending on their level of environmental compliance. ECOPACK[®] specifications, grade definitions and product status are available at: www.st.com. ECOPACK[®] is an ST trademark.

Figure 19. PowerFLAT™ 5x6 type S-C mechanical data

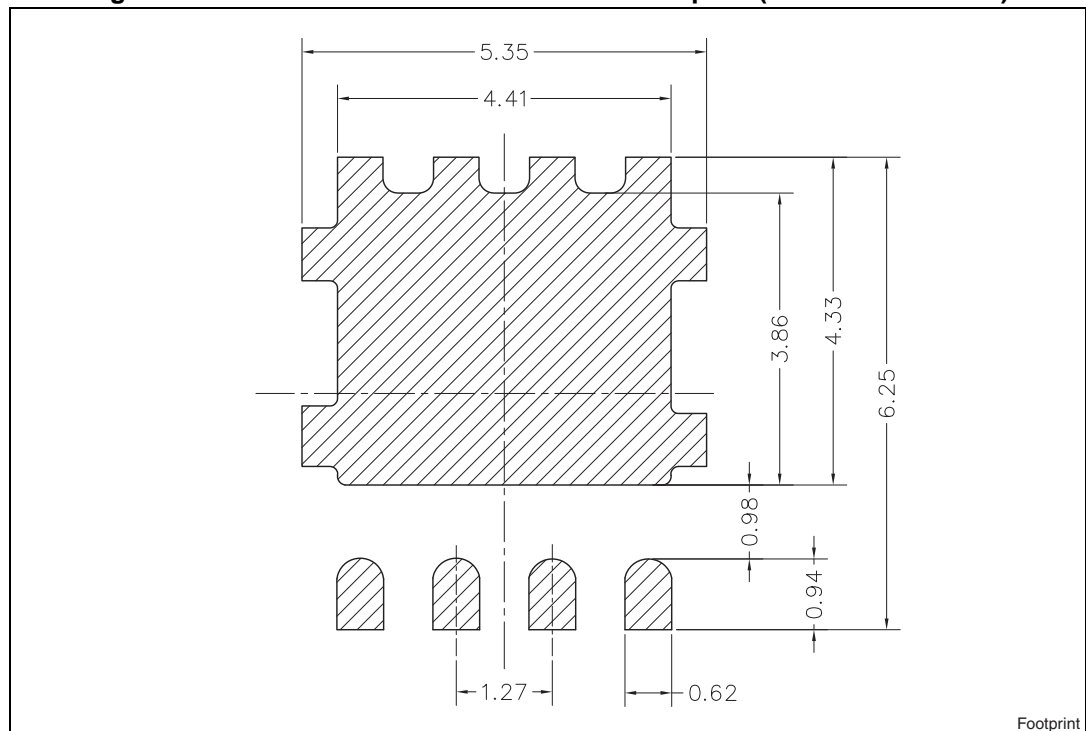


8231817_H_C

Table 9. PowerFLAT™ 5x6 type S-C mechanical data

| Dim. | mm | | |
|------|-------|------|-------|
| | Min. | Typ. | Max. |
| A | 0.80 | | 1.00 |
| A1 | 0.02 | | 0.05 |
| A2 | | 0.25 | |
| b | 0.30 | | 0.50 |
| D | | 5.20 | |
| E | | 6.15 | |
| D2 | 4.11 | | 4.31 |
| E2 | 3.50 | | 3.70 |
| e | | 1.27 | |
| e1 | | 0.65 | |
| L | 0.715 | | 1.015 |
| K | 1.05 | | 1.35 |

Figure 20. PowerFLAT™ 5x6 recommended footprint (dimensions in mm)



5 Packaging mechanical data

Figure 21. PowerFLAT™ 5x6 tape^(a)

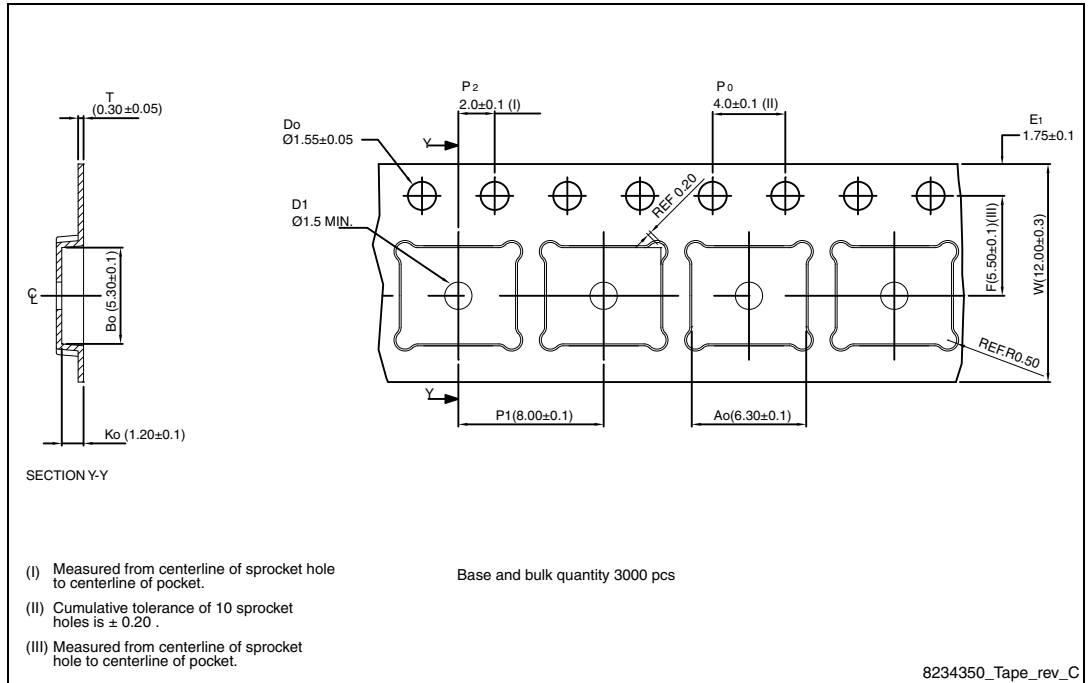
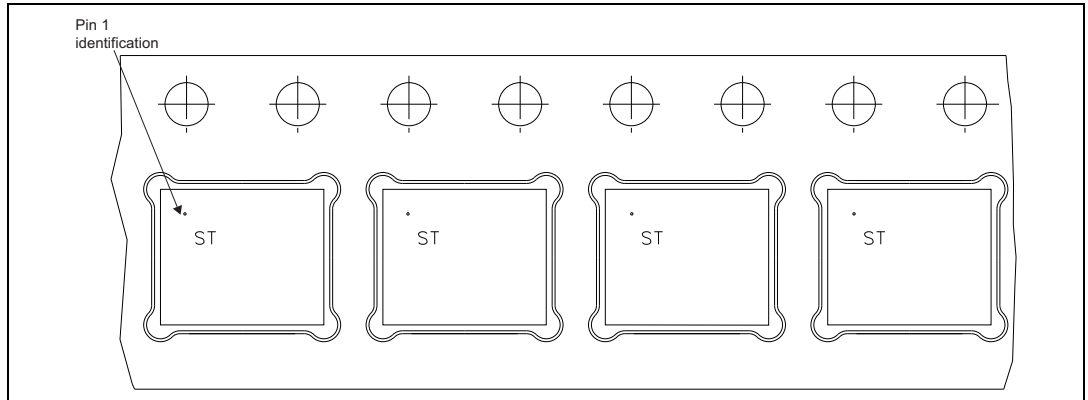
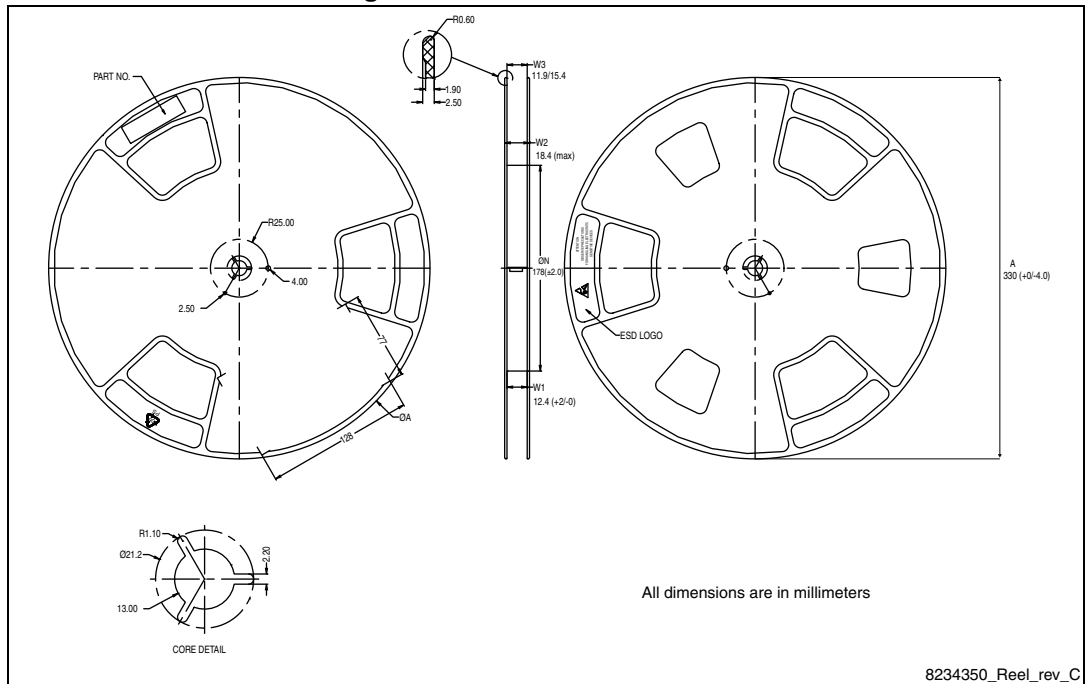


Figure 22. PowerFLAT™ 5x6 package orientation in carrier tape.



a. All dimensions are in millimeters.

Figure 23. PowerFLAT™ 5x6 reel



6 Revision history

Table 10. Document revision history

| Date | Revision | Changes |
|-------------|----------|--|
| 24-Feb-2011 | 1 | First release |
| 10-Nov-2011 | 2 | Section 4: Package mechanical data has been updated. Minor text changes. |
| 10-Mar-2014 | 3 | <ul style="list-style-type: none"> – Updated: title on the cover page. – Modified: $R_{DS(on)}$ and I_D values on cover page – Modified: drain current (continuous) at $T_C = 25\text{ °C}$, drain current (continuous) at $T_{pcb} = 25\text{ °C}$, drain current (continuous) at $T_{pcb}=100\text{ °C}$, I_{DM}, total dissipation at $T_{pcb} = 25\text{ °C}$, T_{stg} and T_j values on table 2, $R_{thj-case}$ value on Table 3, max values on Table 4, $R_{DS(on)}$ typ and max. values, typical values on Table 6, 7 and 8 – Inserted: Section 2.1: Electrical characteristics (curves) – Updated: Section 4: Package mechanical data – Added: Section 5: Packaging mechanical data – Minor text changes |

Please Read Carefully:

Information in this document is provided solely in connection with ST products. STMicroelectronics NV and its subsidiaries ("ST") reserve the right to make changes, corrections, modifications or improvements, to this document, and the products and services described herein at any time, without notice.

All ST products are sold pursuant to ST's terms and conditions of sale.

Purchasers are solely responsible for the choice, selection and use of the ST products and services described herein, and ST assumes no liability whatsoever relating to the choice, selection or use of the ST products and services described herein.

No license, express or implied, by estoppel or otherwise, to any intellectual property rights is granted under this document. If any part of this document refers to any third party products or services it shall not be deemed a license grant by ST for the use of such third party products or services, or any intellectual property contained therein or considered as a warranty covering the use in any manner whatsoever of such third party products or services or any intellectual property contained therein.

UNLESS OTHERWISE SET FORTH IN ST'S TERMS AND CONDITIONS OF SALE ST DISCLAIMS ANY EXPRESS OR IMPLIED WARRANTY WITH RESPECT TO THE USE AND/OR SALE OF ST PRODUCTS INCLUDING WITHOUT LIMITATION IMPLIED WARRANTIES OF MERCHANTABILITY, FITNESS FOR A PARTICULAR PURPOSE (AND THEIR EQUIVALENTS UNDER THE LAWS OF ANY JURISDICTION), OR INFRINGEMENT OF ANY PATENT, COPYRIGHT OR OTHER INTELLECTUAL PROPERTY RIGHT.

ST PRODUCTS ARE NOT DESIGNED OR AUTHORIZED FOR USE IN: (A) SAFETY CRITICAL APPLICATIONS SUCH AS LIFE SUPPORTING, ACTIVE IMPLANTED DEVICES OR SYSTEMS WITH PRODUCT FUNCTIONAL SAFETY REQUIREMENTS; (B) AERONAUTIC APPLICATIONS; (C) AUTOMOTIVE APPLICATIONS OR ENVIRONMENTS, AND/OR (D) AEROSPACE APPLICATIONS OR ENVIRONMENTS. WHERE ST PRODUCTS ARE NOT DESIGNED FOR SUCH USE, THE PURCHASER SHALL USE PRODUCTS AT PURCHASER'S SOLE RISK, EVEN IF ST HAS BEEN INFORMED IN WRITING OF SUCH USAGE, UNLESS A PRODUCT IS EXPRESSLY DESIGNATED BY ST AS BEING INTENDED FOR "AUTOMOTIVE, AUTOMOTIVE SAFETY OR MEDICAL" INDUSTRY DOMAINS ACCORDING TO ST PRODUCT DESIGN SPECIFICATIONS. PRODUCTS FORMALLY ESCC, QML OR JAN QUALIFIED ARE DEEMED SUITABLE FOR USE IN AEROSPACE BY THE CORRESPONDING GOVERNMENTAL AGENCY.

Resale of ST products with provisions different from the statements and/or technical features set forth in this document shall immediately void any warranty granted by ST for the ST product or service described herein and shall not create or extend in any manner whatsoever, any liability of ST.

ST and the ST logo are trademarks or registered trademarks of ST in various countries.

Information in this document supersedes and replaces all information previously supplied.

The ST logo is a registered trademark of STMicroelectronics. All other names are the property of their respective owners.

© 2014 STMicroelectronics - All rights reserved

STMicroelectronics group of companies

Australia - Belgium - Brazil - Canada - China - Czech Republic - Finland - France - Germany - Hong Kong - India - Israel - Italy - Japan - Malaysia - Malta - Morocco - Philippines - Singapore - Spain - Sweden - Switzerland - United Kingdom - United States of America

www.st.com

