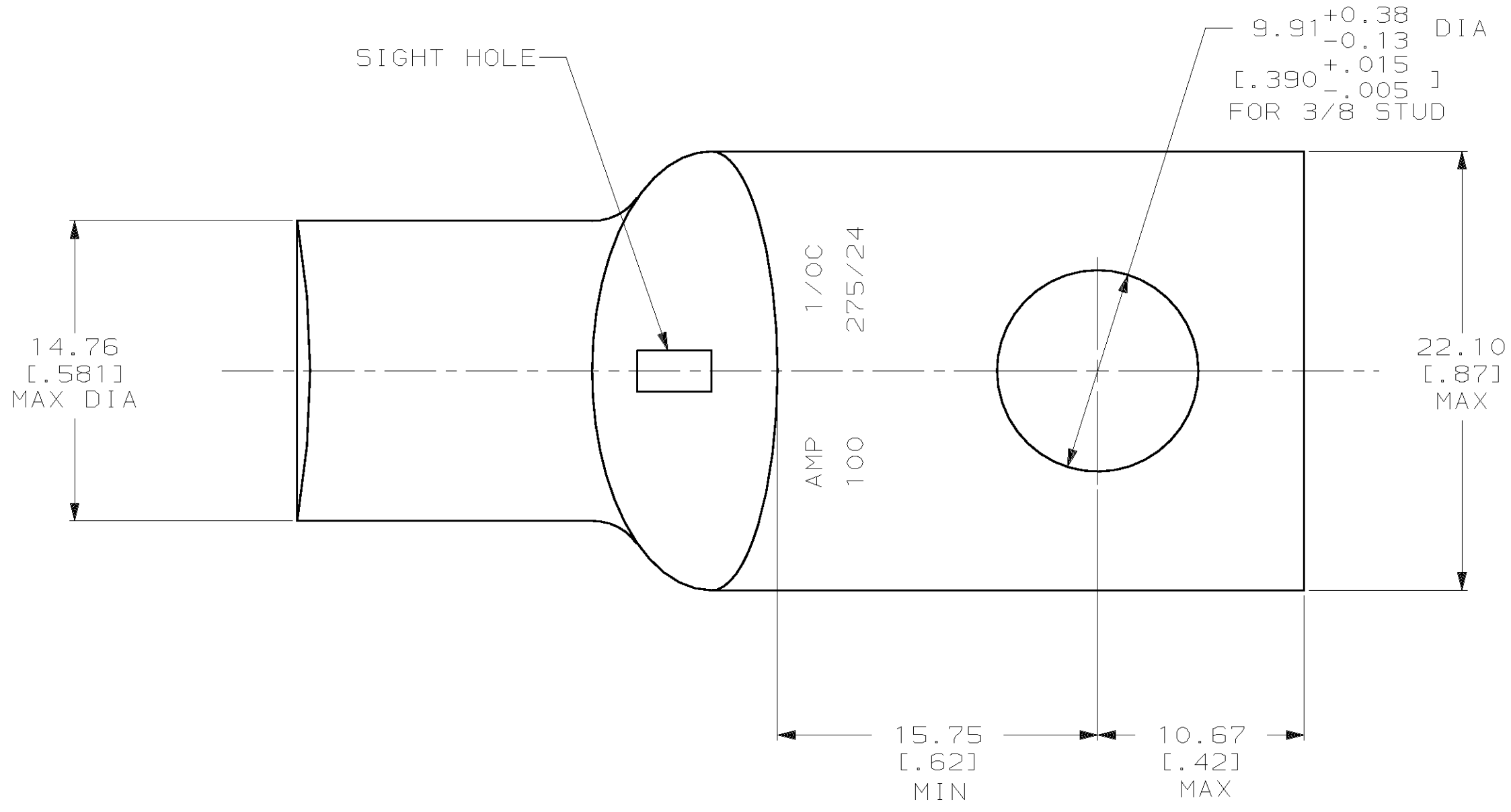
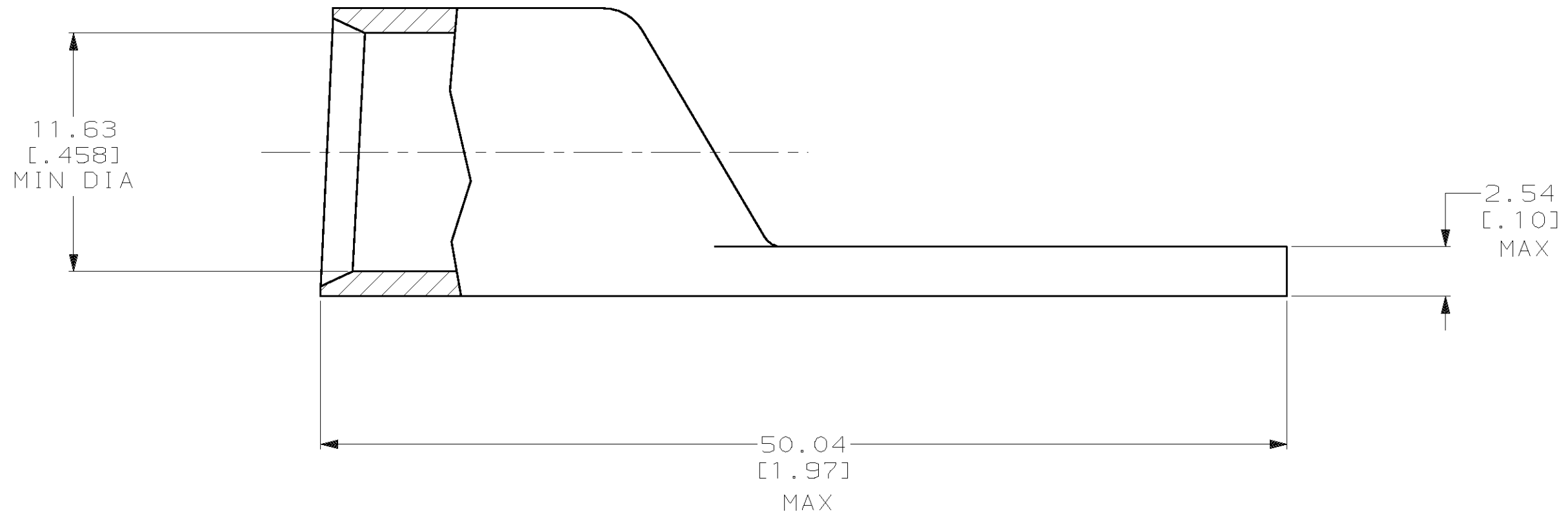


THIS DRAWING IS UNPUBLISHED. RELEASED FOR PUBLICATION, 19 .
 © COPYRIGHT 19 BY AMP INCORPORATED. ALL INTERNATIONAL RIGHTS RESERVED.

| LOC | | DIST | | P | | F | | REVISIONS | | DATE | APPD |
|------|-----|-------------|--|------|------|---|----------------------|-----------|-------|------|------|
| ZONE | LTR | DESCRIPTION | | DATE | APPD | | | | | | |
| G | 86 | | | | | Y | REV PER 063A-0561-01 | 070CT02 | JR/MS | | |



1 CIRCULAR MIL RANGE: 83,700-119,500 CM
 2 TIN PL 0.00381 [.000150] MIN THK PER MIL-T-10727



| | | | | |
|--|----------------------------|-----------------------------|--|-----------------|
| DO NOT SCALE PRINT. UNLESS SPECIFIED DIMENSIONS IN mm [INCHES] TOLERANCES ON : 2 PLC DEC ± 0.51 [.020] 3 PLC DEC ± - ANGLES ± - | | DR 02/28/90 DK SCHRUM | AMP INCORPORATED Harrisburg, Pa. 17105 | |
| MATERIAL ANNEALED COPPER ASTM B-75 | CHK 31AUG94 AJ KAUFMAN | APPD 31AUG94 WJ VOCKROTH | | |
| FINISH △ | APPD 31AUG94 TL SHUTTER | PRODUCT SPEC - | NAME TERMINAL, AMPPOWER WIRE SIZE: 1/0 AWG | |
| APPLICATION SPEC - | WEIGHT .041 LB | SCALE 4:1 | SIZE C | CAGE CODE 00779 |
| | | | DRAWING NO 325303 | SHEET 1 OF 1 |

325303

325303

PART NO