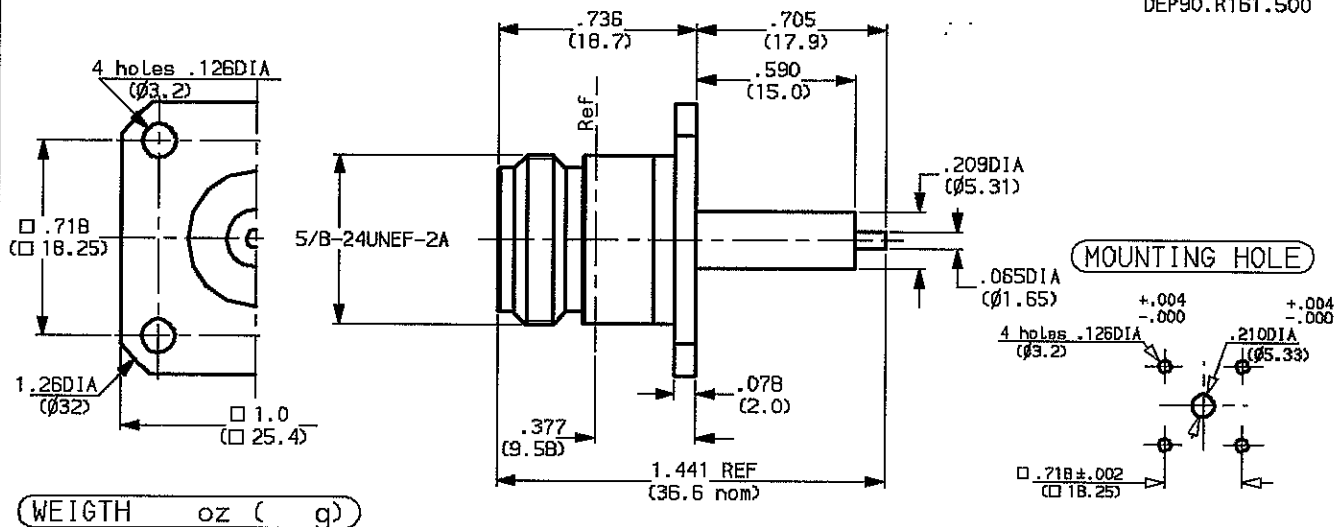


FEMALE SQUARE FLANGE RECEPTACLE

DEP90.R161.500



WEIGHT oz (g)

CHARACTERISTICS

NOMINAL IMPEDANCE	50 Ω
FREQUENCY RANGE	0-18 GHz
TEMPERATURE RATING	-65/+165 °C
VSWR	AD Max
RF INSERTION LOSS	0.1 \sqrt{f} dB Max
VOLTAGE RATING	500 Vrms Max
DIELECTRIC WITHSTANDING VOLTAGE	1500 Vrms min
INSULATION RESISTANCE	5000 Mo min
HERMETIC SEAL	NA cc/s Atm.cm ³ /s
LEAKAGE (pressurized only)	NA psi MPa

STANDARDISATION	MIL C 39012
	CECC 22000
	IEC 169-16
CABLE RETENTION	NA Lb mini N
CENTER CONTACT RETENTION	
Axial force - mating end	6.075 Lb mini 27 N
Axial force - opposite end	6.075 Lb mini 27 N
Torque (Min)	NA Inch.oz cm.N
RECOMMENDED TORQUES	
Mating	NA Inch. Lb cm.N
Panel nut	NA Inch. Lb cm.N
Clamp nut	NA Inch. Lb cm.N

CONSTRUCTION

CONNECTOR PARTS	MATERIALS	FINISH
BODY	STAINLESS STEEL	PASSIVATED
OUTER CONTACT	STAINLESS STEEL	PASSIVATED
CENTER CONTACT	BERYLLIUM COPPER	GOLD
INSULATOR	PTFE	-
-	-	-
-	-	-
-	-	-
-	-	-
-	-	-

ISSUE	REVISION No	DESCRIPTION	BY	DATE
.
.
.
.

Initiated on 03-MAY-90
Superseded on _____

The information given here is subject to change without notice. Design changes may be in order to improve the product.

