

REV	DATE	BY	CHKD	APP'D
1	10/15/88	BSV	DC	

REV	DESCRIPTION
1	ISSUE

1 MATERIAL: NYLON, UL94V-2 (COLOR - NATURAL, COLOR OF PARTS MAY VARY).  
 CONTACTS: 0.25 THK COPPER ALLOY.

2 CONTACT FINISH: 0.003 MIN THK TIN-LEAD OVER 0.00127 MIN THK NICKEL OVER ENTIRE CONTACT.

3 CONTACT FINISH: 0.00076 MIN THK GOLD PLATE ON PIN MATING SURFACE, 0.003 MIN THK TIN-LEAD PLATE ON SOLDER TAIL, ALL OVER 0.00127 MIN THK NICKEL BASE PLATE.

4 SOLDER TAIL MEETS AMP SOLDERABILITY SPECIFICATION 109-11-2.

5 MATES WITH SIMILARLY PLATED AMP-DIAC POWER CONNECTOR RECEPTACLE HOUSINGS/SOCKET CONTACTS.

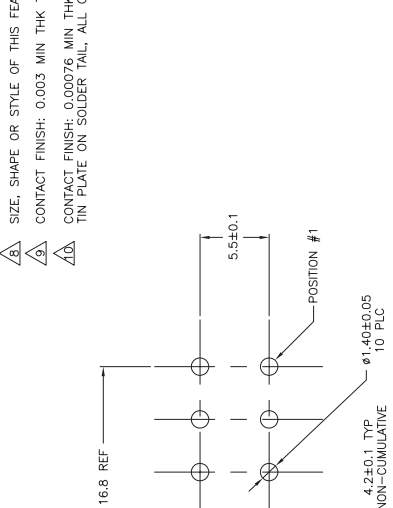
6 RIBS ON FOUR CORNERS OPTIONAL.

7 AMP LOGO AND MATERIAL ID MAY BE LOCATED ON EITHER LONG SIDE OF PART.

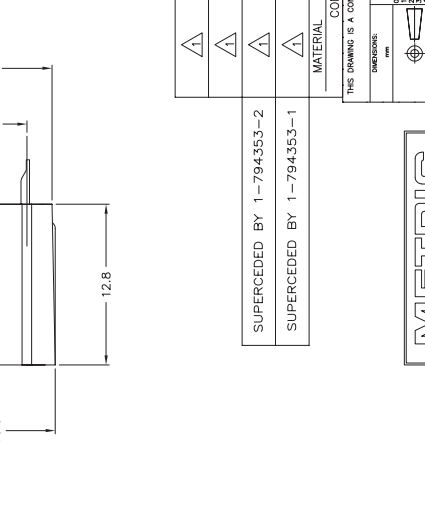
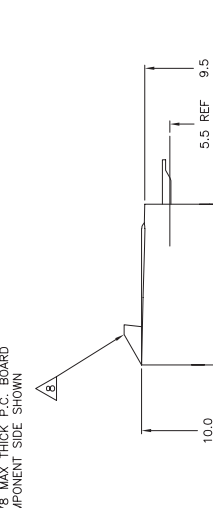
8 SIZE, SHAPE OR STYLE OF THIS FEATURE MAY VARY.

9 CONTACT FINISH: 0.003 MIN THK TIN OVER 0.00127 MIN THK NICKEL OVER ENTIRE CONTACT.

10 CONTACT FINISH: 0.00076 MIN THK GOLD PLATE ON PIN MATING SURFACE, 0.003 MIN THK TIN PLATE ON SOLDER TAIL, ALL OVER 0.00127 MIN THK NICKEL BASE PLATE.



RECOMMENDED MOUNTING HOLE PATTERN FOR 1.78 MAX THICK P.C. BOARD COMPONENT SIDE SHOWN



REV	DATE	BY	CHKD	APP'D
1	10/15/88	BSV	DC	

REV	DESCRIPTION
1	ISSUE

1 MATERIAL: NYLON, UL94V-2 (COLOR - NATURAL, COLOR OF PARTS MAY VARY).  
 CONTACTS: 0.25 THK COPPER ALLOY.

2 CONTACT FINISH: 0.003 MIN THK TIN-LEAD OVER 0.00127 MIN THK NICKEL OVER ENTIRE CONTACT.

3 CONTACT FINISH: 0.00076 MIN THK GOLD PLATE ON PIN MATING SURFACE, 0.003 MIN THK TIN-LEAD PLATE ON SOLDER TAIL, ALL OVER 0.00127 MIN THK NICKEL BASE PLATE.

4 SOLDER TAIL MEETS AMP SOLDERABILITY SPECIFICATION 109-11-2.

5 MATES WITH SIMILARLY PLATED AMP-DIAC POWER CONNECTOR RECEPTACLE HOUSINGS/SOCKET CONTACTS.

6 RIBS ON FOUR CORNERS OPTIONAL.

7 AMP LOGO AND MATERIAL ID MAY BE LOCATED ON EITHER LONG SIDE OF PART.

8 SIZE, SHAPE OR STYLE OF THIS FEATURE MAY VARY.

9 CONTACT FINISH: 0.003 MIN THK TIN OVER 0.00127 MIN THK NICKEL OVER ENTIRE CONTACT.

10 CONTACT FINISH: 0.00076 MIN THK GOLD PLATE ON PIN MATING SURFACE, 0.003 MIN THK TIN PLATE ON SOLDER TAIL, ALL OVER 0.00127 MIN THK NICKEL BASE PLATE.

MATERIAL	CONTACT	FINISH	HOUSING	COLOR	PART NO
1			1		1-794353-2
2			2		1-794353-1
3			3		794353-2
4			4		794353-1

SUPERCEDED BY 1-794353-2  
 SUPERCEDED BY 1-794353-1

THIS DRAWING IS A CONTROLLED DOCUMENT. ALL RIGHTS RESERVED. © COPYRIGHT 1988 BY TYCO ELECTRONICS CORPORATION. ALL RIGHTS RESERVED.

ASSEMBLY: HEADER, VERTICAL 10 POSITION, W/ DRAIN HOLES, W/ AMP-DIAC POWER CONNECTOR RECEPTACLE HOUSINGS/SOCKET CONTACTS.

SEE TABLE FOR DIMENSIONS

SEE TABLE FOR DIMENSIONS

SEE TABLE FOR DIMENSIONS

SEE TABLE FOR DIMENSIONS