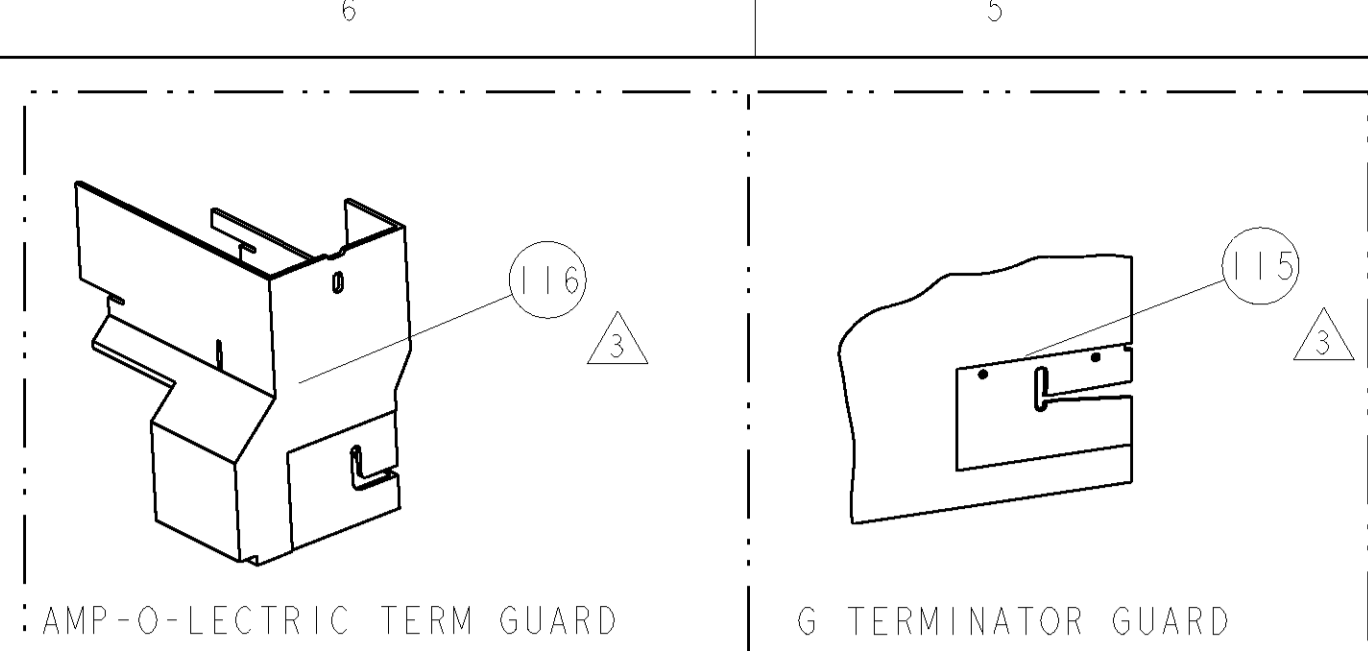


PART NUMBER	REV	FIRST USED	POWER UNIT	FEED TYPE	DESCRIPTION
1855247-1	A	122500-1	LEADMAKER	AIR FEED	CUTS CARRIER
1855247-2	A	565435-5	BENCH MODEL K	AIR FEED	CUTS CARRIER
1855247-3	A	354500-1	BENCH MODEL G	AIR FEED	CUTS CARRIER
7-1855247-7	A	-	-	-	SPARE PARTS

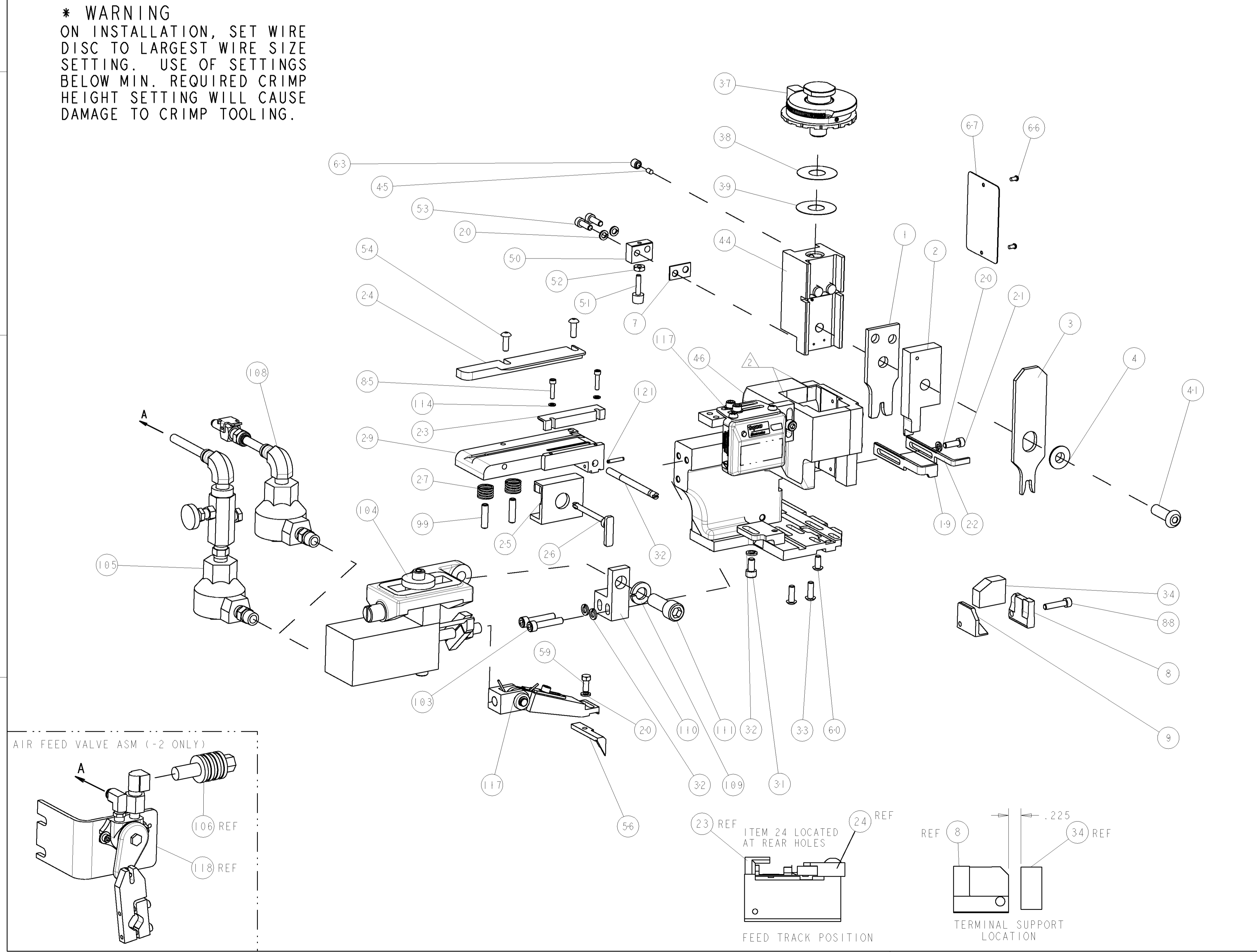


AMP		PACKARD	PACKARD TERMINAL - AMP CRIMP SPECS		REF SETTING
1949324-1	12160641				
			CRIMP HEIGHT	WIRE SIZE	
			.070±.002 [1.78±0.05mm]	(2) 1mm2	B9
			.066±.002 [1.68±0.05mm]	(2) 0.8mm2	C5
			CRIMP	SIZE	TYPE
			WIRE	.130 [3.30mm]	F
			INSUL	.210 [5.33mm]	F
				Ø.077-.104	
WIRE STRIP LENGTH	TERM APPL SPEC	FEED	APPLICATOR INSTRUCTIONS		SET UP GAGE
.219 -.250	NONE	.590	408-8040		458637-1

LOC	DIST	P	LTR	DESCRIPTION	DATE	DWN	APPR
A	66			RELEASED	07JUN2007	BH	BH

- △ RECOMMENDED SPARE PARTS
- △ GREASE LIGHTLY
- △ GUARD MUST BE IN PLACE WHEN OPERATING APPLICATOR IN A BENCH MACHINE

*** WARNING**
ON INSTALLATION, SET WIRE DISC TO LARGEST WIRE SIZE SETTING. USE OF SETTINGS BELOW MIN. REQUIRED CRIMP HEIGHT SETTING WILL CAUSE DAMAGE TO CRIMP TOOLING.



QTY	REF	QTY	REF	PART NO	DESCRIPTION	ITEM NO
1		1		3-21028-7	PIN, SLOTTED SPRING .094 X .562	121
1		1		692655-6	AIR FEED VALVE ASSEMBLY	118
1		1		461062-1	FEED FINGER ASSEMBLY	117
1		1		455749-1	GUARD WINDOW	116
1		1		679532-1	INSERT, GUARD	115
2		2		21024-2	WASHER, SPRG LOCK, REG NO 4	114
1		1		3-21001-5	SCR, SKT HD CAP 3/8-16 X 1.000	111
1		1		459610-1	MOUNT, FEED BRACKET	110
1		1		21024-8	WASHER, SPRG LOCK, REG 3/8	109
1		1		692655-7	AIR FEED VALVE ASSEMBLY	108
1		1		24024-2	VALVE, SHUT OFF	106
1		1		692655-5	AIR FEED VALVE ASSEMBLY	105
1		1		461065-1	ASSEMBLY, AIR FEED	104
2		2		3-21000-9	SCR, SKT HD CAP 10-32 X 1.000	103
2		2		5-21006-6	SCR, SET, CUP POINT 10-32 X .750	99
1		1		2-21000-9	SCR, SKT HD CAP 8-32 X .750	88
2		2		1-21000-5	SCR, SKT HD CAP 4-40 X .500	85
1		1		4088040	SF APPL INST 408-8040	72
1		1		217238-1	GENERAL INSTRUCTION PKG	71
1		1		461264-5	PLATE, IDENTIFICATION	67
2		2		21017-2	SCREW, DRIVE	66
1		1		21009-2	SCR, SET, SELF LOCKING 1/4-20 X .250	63
1		1		22733-8	SCR, BHSC, SELF-LOCKING, 8-32 X .375	60
1		1		2-22603-1	SCR, HEX HD CAP 8-32 X .375	59
1		1		2-694433-6	FEED PAWL	56
2		2		2-21002-2	SCR, BTN SKT HD CAP 8-32 X .500	54
2		2		2-21000-7	SCR, SKT HD CAP 8-32 X .500	53
1		1		21018-5	NUT, HEX, REG 6-32	52
1		1		811242-2	BUMPER, HOLD DOWN	51
1		1		690753-1	SPACER, TONKER	50
1		1		1633399-1	APPL., BASIC AIR FEED SUB ASSY	46
1		1		690191-1	PLUG, NYLON	45
1		1		2-819307-4	RAM, SIDE FEED	44
1		1		690686-2	CRIMPER, BOLT SPECIAL	41
1		1		690125-1	SHIM SUB-ASSY	39
1		1		469367-1	SHIM	38
1		1		879103-2	FINE ADJUST HEAD ASSEMBLY	37
1		1		690786-1	TERMINAL SUPPORT	34
2		2		2-21002-2	SCR, BTN SKT HD CAP 8-32 X .500	33
1		1		690432-3	ADJUSTMENT SCREW	32
3		3		21024-5	WASHER, SPRG LOCK, REG NO 10	32
1		1		3-21000-4	SCR, SKT HD CAP 10-32 X .375	31
1		1		3-455671-9	PLATE, STRIP GUIDE	29
2		2		1-22284-0	SPRING, COMPRESSION	27
1		1		690546-1	LEVER, DRAG RELEASE	26
1		1		690754-7	DRAG, SPECIAL	25
1		1		1-690440-9	GUIDE, REAR STRIP	24
1		1		1-690712-1	FRONT STRIP GUIDE	23
1		1		690472-2	STRIPPER	22
1		1		2-21000-7	SCR, SKT HD CAP 8-32 X .500	21
4		4		21024-4	WASHER, SPRG LOCK, REG NO 8	20
1		1		691353-1	STRIPPER	19
1		1		3-853714-6	PLATE, REAR SHEAR	9
1		1		1214596-6	ANVIL, SPECIAL COMBINATION	8
1		1		1-240641-9	SPACER	7
1		1		238009-1	BLOCK, FL CRIMPER SPACER	4
1		1		8-1213077-6	CRIMPER, INSULATION PREMIUM	3
1		1		2-853720-2	BLADE, SLUG	2
1		1		3-456410-4	CRIMPER, WIRE PREMIUM	1

DIMENSIONS: INCHES		TOLERANCES UNLESS OTHERWISE SPECIFIED:		DWG: B. HIGMAN 06MAR2007		Tyeo Electronics Tyco Electronics Harrisburg, PA 17105-3608	
0 PLC	±	1 PLC	±0.1	CHK: B. HIGMAN 06MAR2007	NAME: I. BENCHOFF	FINE ADJUST SIDE FEED HDM APPLICATOR	
1 PLC	±0.01	2 PLC	±0.01	APPR: I. BENCHOFF 06MAR2007	PRODUCT SPEC:	SIZE: A1 00779 C=1855247	
3 PLC	±0.001	4 PLC	±0.001	APPLICATION SPEC:		RESTRICTED TO:	
ANGLES	±0.0001	FINISH:		WEIGHT:		SCALE: 3:5 SHEET 1 OF 1 REV A	
MATERIAL:				CUSTOMER DRAWING		CUSTOMER VIEWABLE ASSEMBLY	