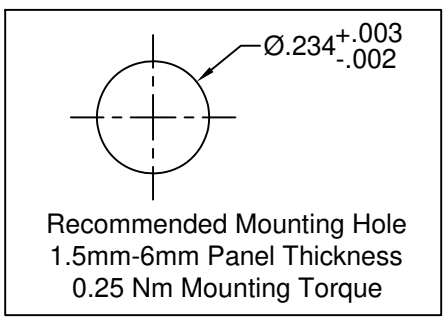
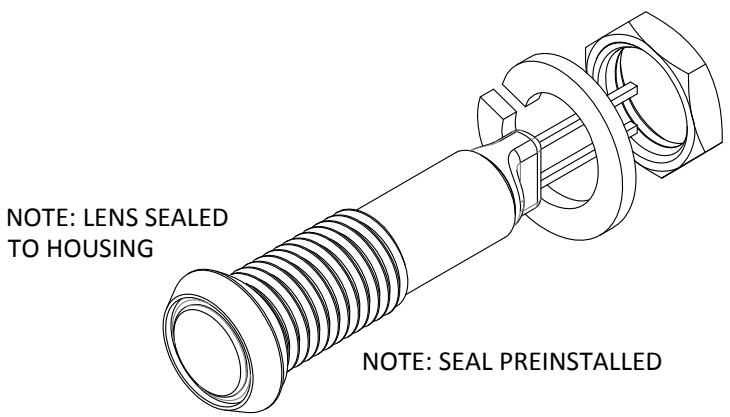
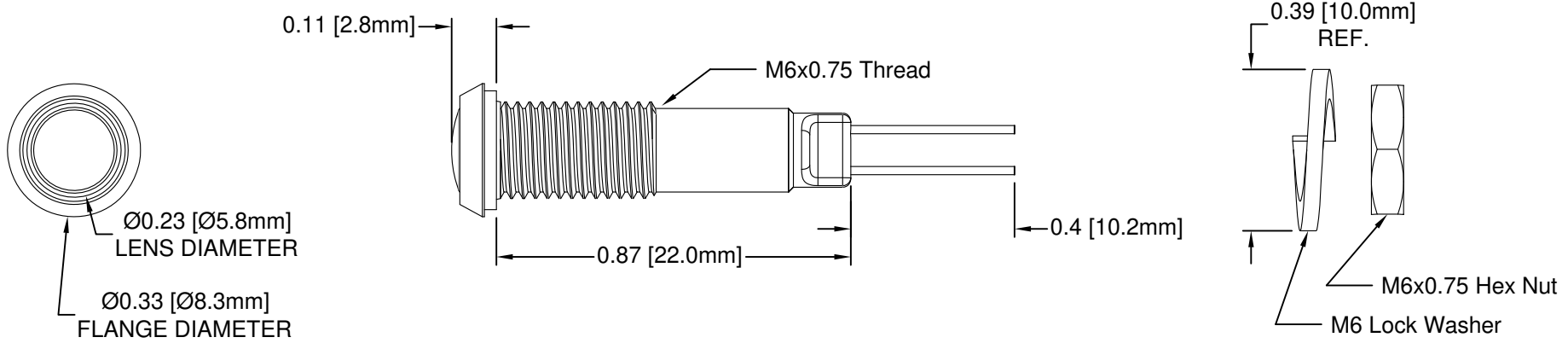

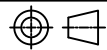


REV.	DESCRIPTION	DATE	APPROVED
A	Engineering Release	03/17/14	J. C.
B	Updated Voltage Input	05/13/14	J. C.
C	Updated LED Optical Characteristics	09/15/15	J. C.



**EXAMPLE:**  
**PM3-PRGD**  
 LED Color Series

- NOTES:**
1. SEALED TO IP67 RATING
  2. ROHS COMPLIANT
  3. MOUNTING HARDWARE SHIPPED NON-ASSEMBLED
  4. BIPOLAR OPERATION
  5. WIDE RANGE VOLTAGE INPUT, SEE SHEET #2

STANDARD TOLERANCE (UNLESS OTHERWISE SPECIFIED)		 4 THOMAS, IRVINE, CA. 92618 TEL: (949) 951-8808 FAX: (949) 951-3974	
DECIMALS	ANGULAR		
.X ± .1	X° ± 1°		TITLE: IP67 Rated Panel Mount Indicator
.XX ± .02			DESIGNED: <b>Brian Oliver</b>
.XXX ± .010		CHECKED: <b>T. Yin</b>	DATE: <b>03/17/14</b>
		PART NO: <b>PM3-PRXXX</b>	REVISION: <b>C</b>
		CAGE CODE : 32559	SHEET # 1 OF 2
CAD GENERATED DOCUMENT. DO NOT MEASURE DRAWING.			


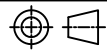
REV.	DESCRIPTION	DATE	APPROVED
	SEE SHEET #1		

Assembly Part Number	LED Part Number	Peak Wave Length $\lambda_p$ (nm)	Emitted Color	Electro-Optical Data @ 20mA		Viewing Angle
				Vf (VAC/VDC)	Assembly Iv (mcd)	
				TYP	TYP	
<b>PM3-PRAD</b>	3SAD-S	610	AMBER	8-48	45	120
<b>PM3-PRBWD</b>	3BWD0.245-S	470	BLUE	8-48	90	120
<b>PM3-PRGD</b>	3SGD-S	568	GREEN	8-48	14	120
<b>PM3-PRRD</b>	3SRD-S	645	RED	8-48	18	120
<b>PM3-PRYD</b>	3SYD-S	585	YELLOW	8-48	14	120

Assembly Part Number	LED Part Number	Color Temperature	Emitted Color	Electro-Optical Data @ 20mA		Viewing Angle
				Vf (VAC/VDC)	Assembly Iv (mcd)	
				TYP	TYP	
<b>PM3-PRWD</b>	3UWD2.555N	5000K	NEUTRAL WHITE	8-48	1500	120

### ABSOLUTE MAXIMUM RATINGS (Ta = 25°C)

MAXIMUM POWER DISSIPATION \_\_\_\_\_ 400 mW  
 OPERATING TEMPERATURE RANGE \_\_\_\_\_ -30°C ~ 85°C  
 STORAGE TEMPERATURE \_\_\_\_\_ -40°C ~ 85°C

STANDARD TOLERANCE ( UNLESS OTHERWISE SPECIFIED ) DECIMALS                      ANGULAR		 4 THOMAS, IRVINE, CA. 92618 TEL: (949) 951-8808    FAX: (949) 951-3974	
			
DESIGNED: <b>Brian Oliver</b>	DATE: <b>03/17/14</b>	TITLE: IP67 Rated Panel Mount Indicator	REVISION: <b>C</b>
CHECKED: <b>T. Yin</b>	DATE: <b>03/17/14</b>	PART NO: <b>PM3-PRXXX</b>	CAGE CODE : <b>32559</b> SHEET # <b>2 OF 2</b>
CAD GENERATED DOCUMENT. DO NOT MEASURE DRAWING.			