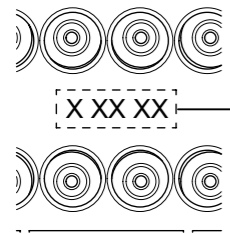
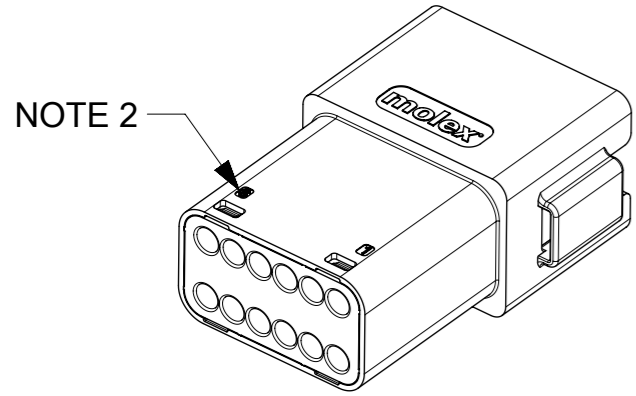


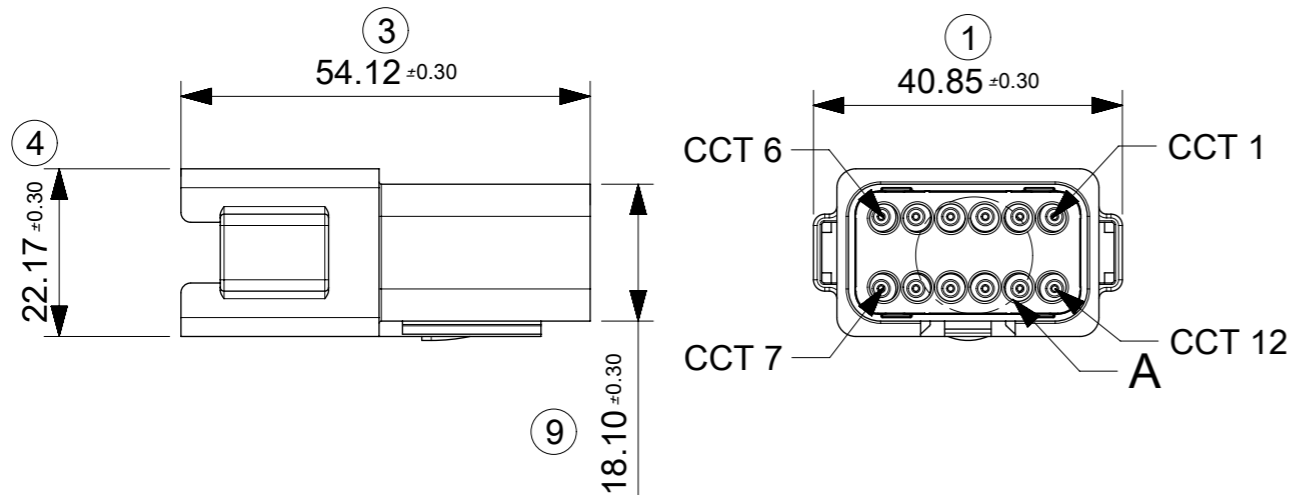


12CCT RECEPTACLE CONNECTOR



DETAIL A  
SCALE 2:1

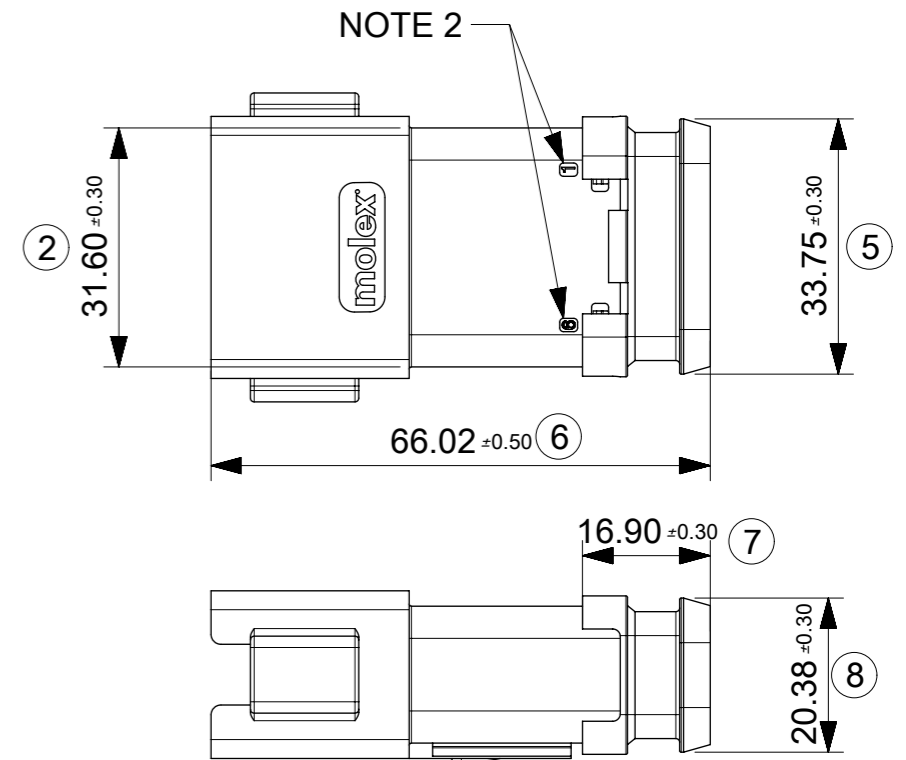
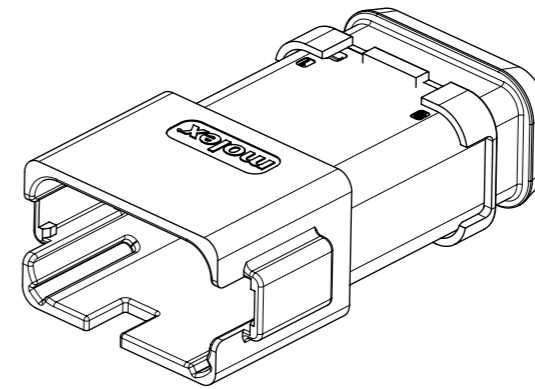
DATE CODE: X XX XX  
 X — DAY: 1- 7  
 X — WEEK: 01 - 52  
 X — YEAR: 00 - 99  
 # — MACHINE NO. 1  
 EXAMPLE: 11315 = DAY 1, WEEK 13, YEAR 15  
 i.e. 23rd OF MARCH 2015



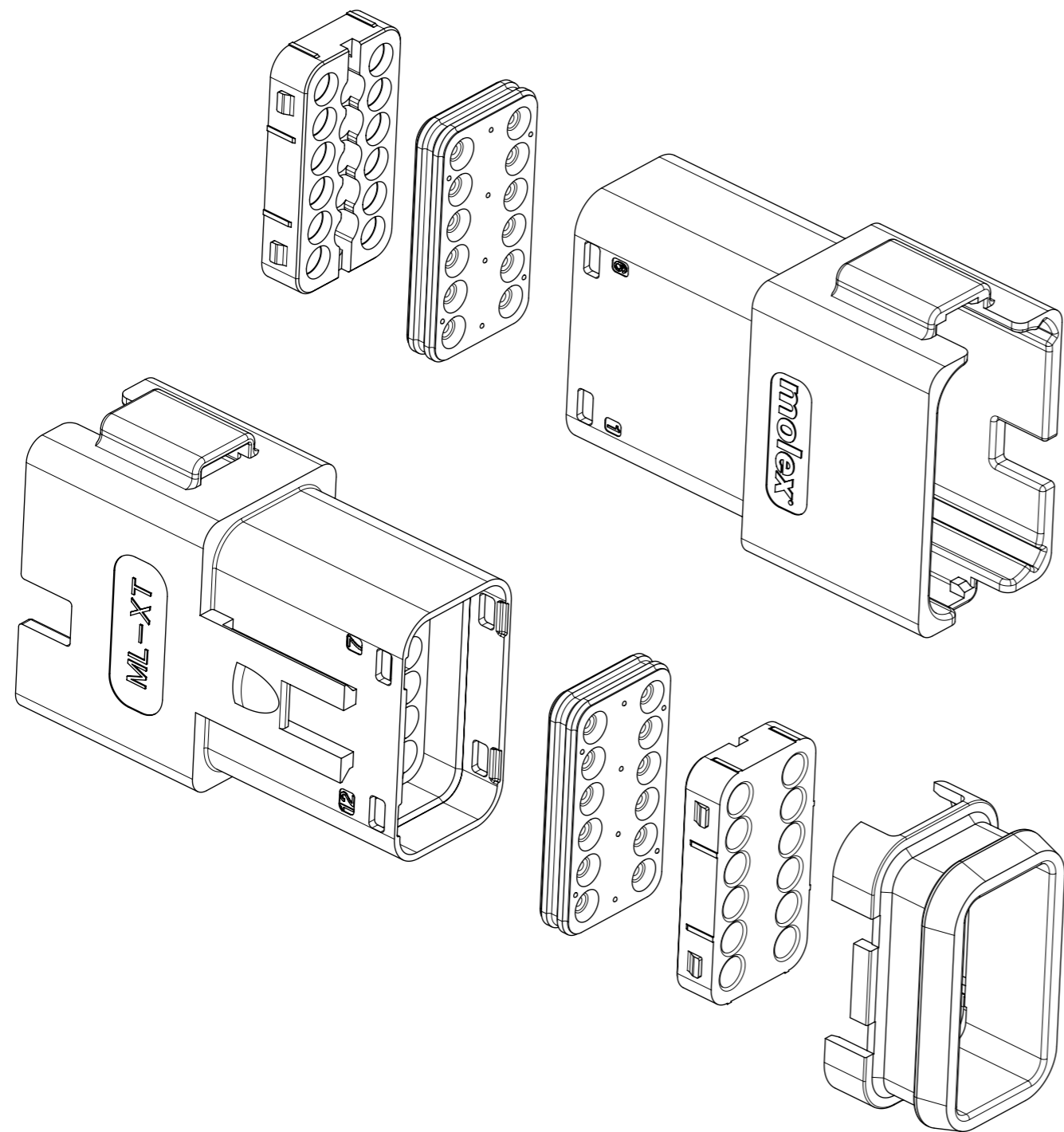
NOTES

- MATERIAL  
HOUSING: NYLON 30% GF  
BACK SEAL: HIGH CONSISTENCY RUBBER
- CIRCUIT IDENTIFICATION
- JACKET RANGE LARGE =  $\varnothing$ 2.23mm TO 3.68mm (SEAL COLOUR: LIGHT BLUE)  
JACKET RANGE SMALL =  $\varnothing$ 1.20mm TO 3.05mm (SEAL COLOUR: BURNT ORANGE)
- SEE SHEET 3 FOR FINAL PART NUMBER DESIGNATION
- SEE 934430010 PS P FOR PRODUCT SPECIFICATION
- SEE 934430002 PS K FOR PACKAGING SPECIFICATION
- INSPECTION NUMBERS 1-50 RESERVED FOR SHEET 2  
LAST INSPECTION NUMBER: 9

12CCT RECEPTACLE CONNECTOR WITH HEATSHRINK HOUSING ULTRASONICALLY WELDED IN PLACE



SYMBOLS	THIS DRAWING CONTAINS INFORMATION THAT IS PROPRIETARY TO MOLEX ELECTRONIC TECHNOLOGIES, LLC AND SHOULD NOT BE USED WITHOUT WRITTEN PERMISSION		CURRENT REV DESC: SEE LONG TEXT		<b>molex</b>
	▽ = 0	mm	SCALE	1:1	
▽ = 0	GENERAL TOLERANCES (UNLESS SPECIFIED)		EC NO: 619923		12CCT ML-XT CV CONNECTOR SYSTEM
▽ = 0	ANGULAR TOL ± 2.0°		DRWN: JFLETCHER 2019/07/01		
▽ = 0	4 PLACES	±	CHK'D: IOCONNELL 2019/08/15		PRODUCT CUSTOMER DRAWING
▽ = 0	3 PLACES	±	APPR: IOCONNELL 2019/08/16		
▽ = 0	2 PLACES	± 0.1	INITIAL REVISION:		DOCUMENT NUMBER
▽ = 0	1 PLACE	± 0.2	DRWN: JFLETCHER 2015/12/16		934430060
▽ = 0	0 PLACES	±	APPR: JDWALLACE 2016/01/14		DOC TYPE
■ = 0	DRAFT WHERE APPLICABLE MUST REMAIN WITHIN DIMENSIONS		THIRD ANGLE PROJECTION	DRAWING	DOC PART
▽ = 0			A3-SIZE	SERIES	REVISION
			93443	MATERIAL NUMBER	000
			SEE CHART	CUSTOMER	C3
			GENERAL MARKET	SHEET NUMBER	
			2 OF 9		



12CCT RECEPTACLE CONNECTOR

SERIES NO.

93444

CIRCUIT SIZE  
6 = 12CCT

6

ASSEMBLY OPTIONS

- 1 = RECEPTACLE ASSEMBLY FOR WIRE JACKET RANGE  $\varnothing$ 1.20mm - 3.05mm
- 2 = RECEPTACLE ASSEMBLY FOR WIRE JACKET RANGE  $\varnothing$ 2.23mm - 3.68mm
- 5 = RECEPTACLE ASSEMBLY & HEATSHRINK FOR WIRE JACKET RANGE  $\varnothing$ 1.20mm - 3.05mm
- 6 = RECEPTACLE ASSEMBLY & HEATSHRINK FOR WIRE JACKET RANGE  $\varnothing$ 2.23mm - 3.68mm

KEYING / COLOUR OPTION

- 12 = KEYING OPTION A (GREY)
- 11 = KEYING OPTION A (BLACK)
- 21 = KEYING OPTION B (BLACK)
- 33 = KEYING OPTION C (GREEN)
- 47 = KEYING OPTION D (BROWN)

EXAMPLE:

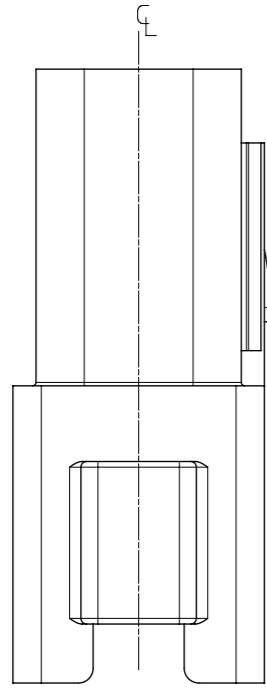
12CCT RECEPT & HEATSHRINK FOR WIRE JACKET RANGE  $\varnothing$ 1.20mm-3.05mm, KEYING OPTION A (GREY): 93444-6512

NOTES

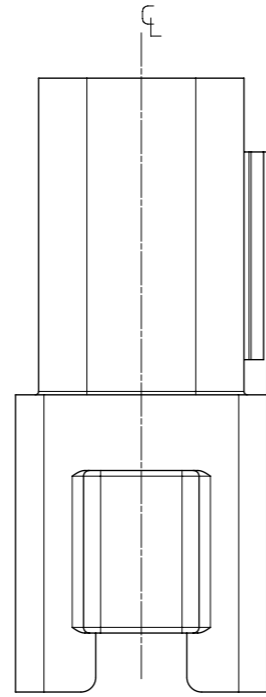
1. SEE SHEET 2 FOR UNSPECIFIED NOTES AND DIMENSIONS
2. BACK COVER COLOUR: BLACK
3. HEATSHRINK HOUSING COLOUR: BLACK

SYMBOLS		THIS DRAWING CONTAINS INFORMATION THAT IS PROPRIETARY TO MOLEX ELECTRONIC TECHNOLOGIES, LLC AND SHOULD NOT BE USED WITHOUT WRITTEN PERMISSION	
DIMENSION UNITS	SCALE	CURRENT REV DESC: SEE LONG TEXT	
$\nabla = 0$	mm	1.5:1	<b>molex</b>
$\nabla = 0$	GENERAL TOLERANCES (UNLESS SPECIFIED)		
$\nabla = 0$	ANGULAR TOL $\pm 2.0^\circ$		12CCT ML-XT CV CONNECTOR SYSTEM
$\nabla = 0$	4 PLACES	$\pm$	PRODUCT CUSTOMER DRAWING
$\nabla = 0$	3 PLACES	$\pm$	DOCUMENT NUMBER
$\nabla = 0$	2 PLACES	$\pm 0.1$	934430060
$\nabla = 0$	1 PLACE	$\pm 0.2$	DOC TYPE
$\nabla = 0$	0 PLACES	$\pm$	PSD
$\square = 0$	DRAFT WHERE APPLICABLE MUST REMAIN WITHIN DIMENSIONS		DOC PART
$\nabla = 0$	THIRD ANGLE PROJECTION		000
DRAWING		SERIES	REVISION
A3-SIZE		93443	C3
MATERIAL NUMBER		CUSTOMER	SHEET NUMBER
SEE CHART		GENERAL MARKET	3 OF 9

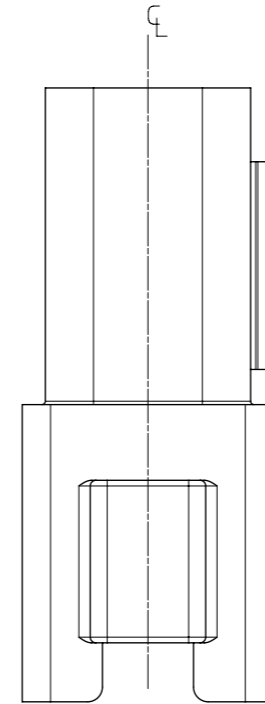
KEYING OPTION A



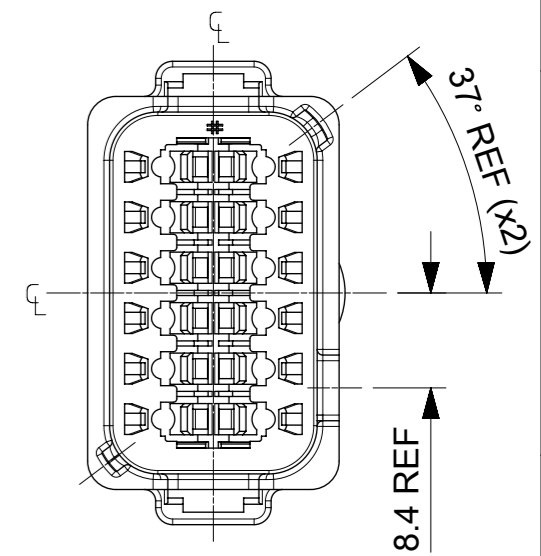
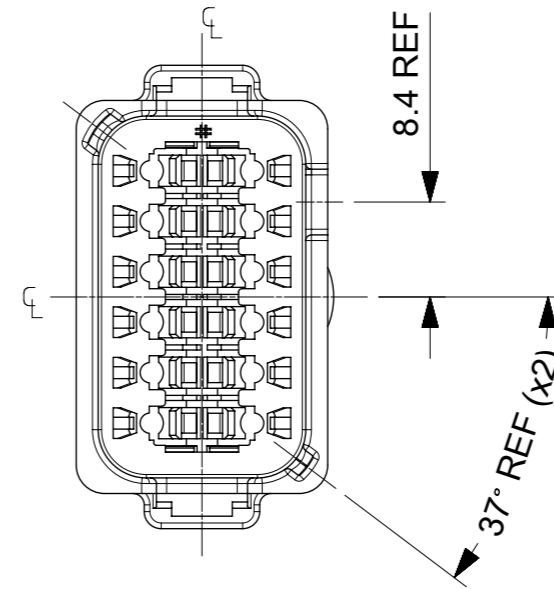
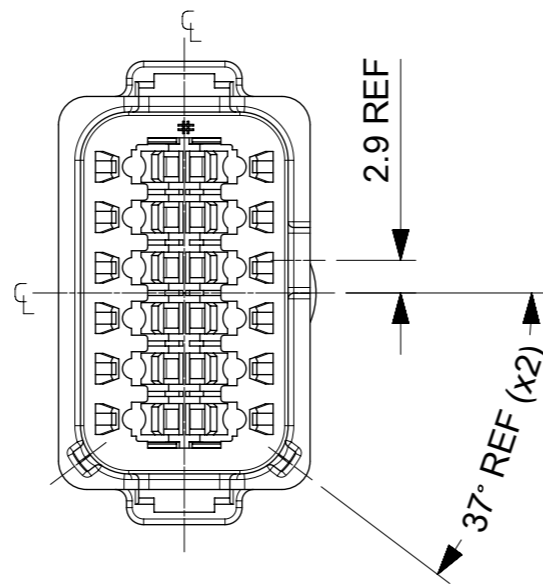
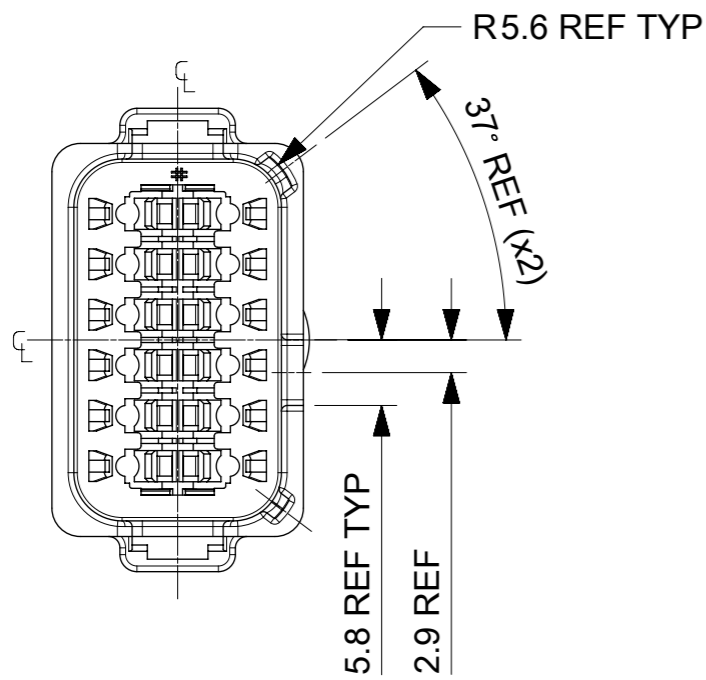
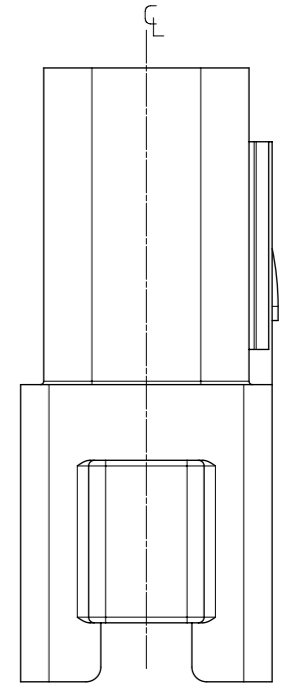
KEYING OPTION B



KEYING OPTION C

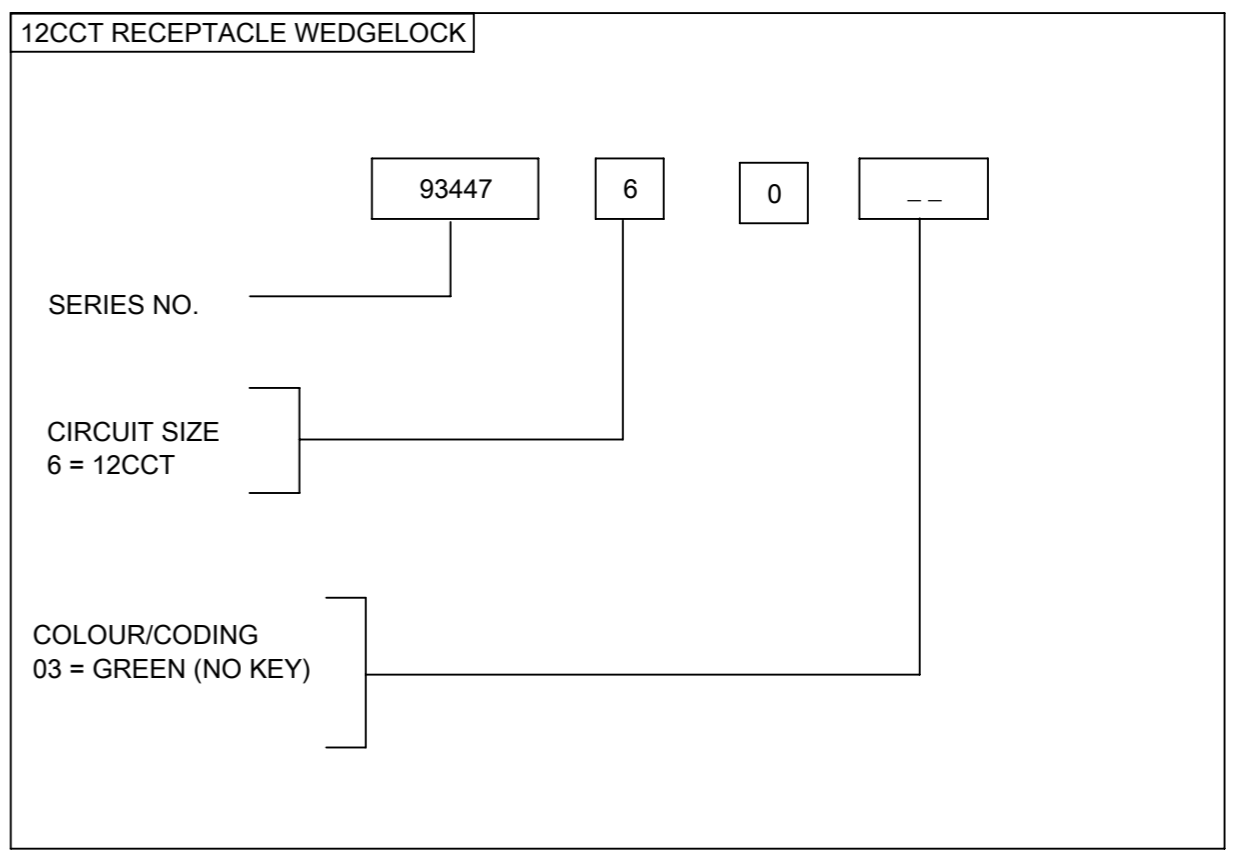
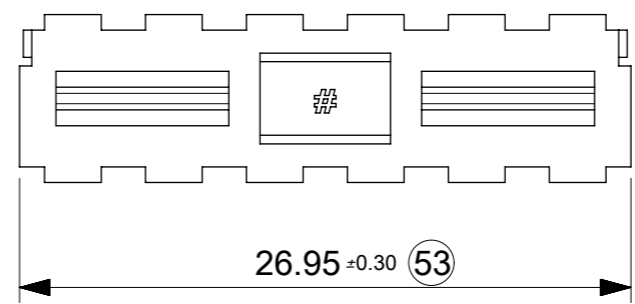
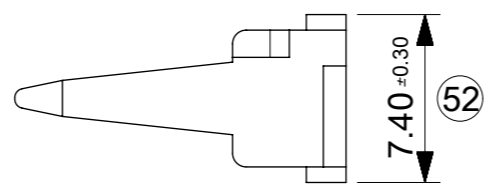
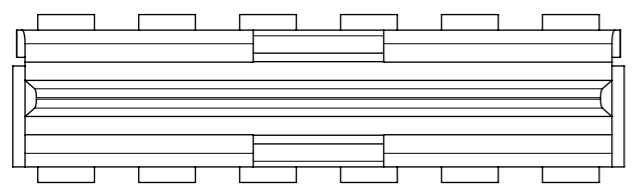
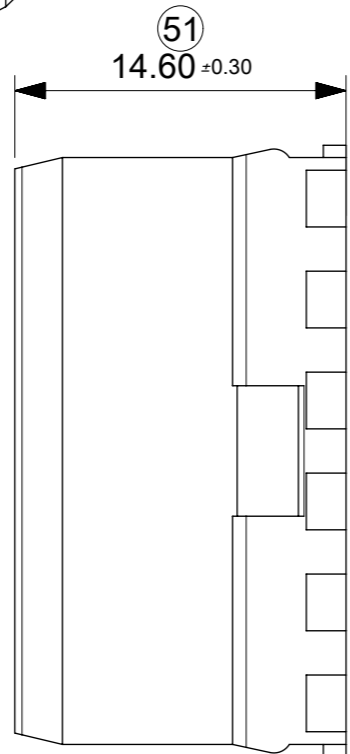
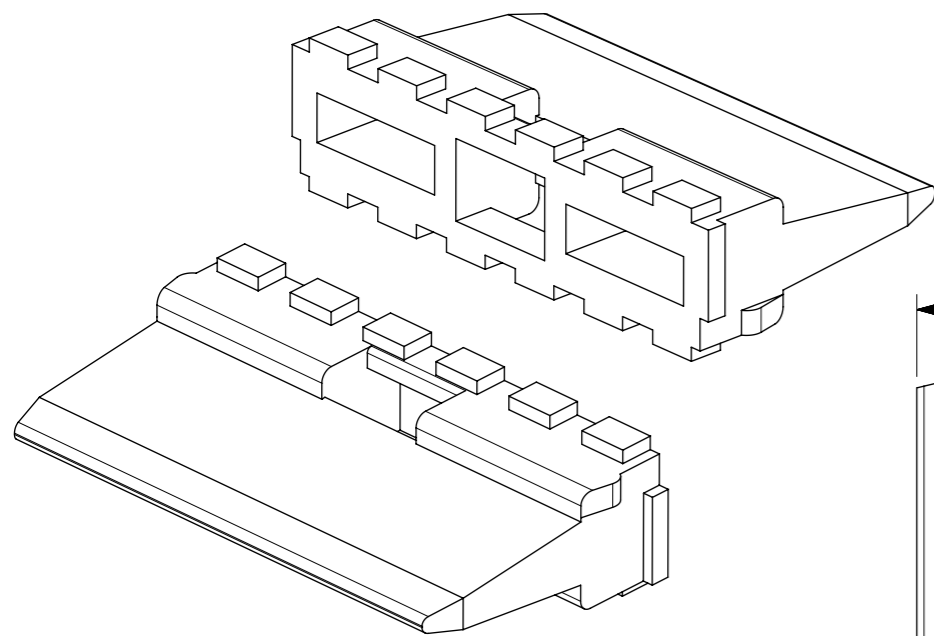


KEYING OPTION D



NOTES  
1. SEE SHEETS 2 & 3 FOR UNSPECIFIED NOTES AND DIMENSIONS

SYMBOLS	THIS DRAWING CONTAINS INFORMATION THAT IS PROPRIETARY TO MOLEX ELECTRONIC TECHNOLOGIES, LLC AND SHOULD NOT BE USED WITHOUT WRITTEN PERMISSION		CURRENT REV DESC: SEE LONG TEXT		
	DIMENSION UNITS SCALE mm 1.5:1	GENERAL TOLERANCES (UNLESS SPECIFIED) ANGULAR TOL ± 2.0°		EC NO: 619923 DRWN: JFLETCHER 2019/07/01 CHK'D: IOCONNELL 2019/08/15 APPR: IOCONNELL 2019/08/16	
▽ = 0 ▽ = 0 ▽ = 0 ▽ = 0 ▽ = 0 ▽ = 0 ▽ = 0 ▽ = 0 ▽ = 0	4 PLACES ± 3 PLACES ± 2 PLACES ± 0.1 1 PLACE ± 0.2 0 PLACES ±		INITIAL REVISION: DRWN: JFLETCHER 2015/12/16 APPR: JDWALLACE 2016/01/14		PRODUCT CUSTOMER DRAWING
□ = 0 ■ = 0 ▽ = 0	DRAFT WHERE APPLICABLE MUST REMAIN WITHIN DIMENSIONS		THIRD ANGLE PROJECTION	DRAWING A3-SIZE	SERIES 93443
DOCUMENT STATUS P1 RELEASE DATE 2019/08/16 19:23:27		MATERIAL NUMBER SEE CHART		CUSTOMER GENERAL MARKET	DOCUMENT NUMBER 934430060 DOC TYPE PSD DOC PART 000 REVISION C3 SHEET NUMBER 4 OF 9



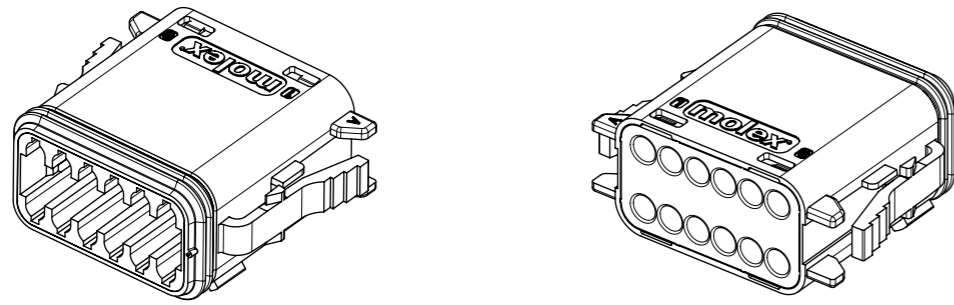
**NOTES**

1. MATERIAL:  
HOUSING: NYLON 30% GLASS FILLED

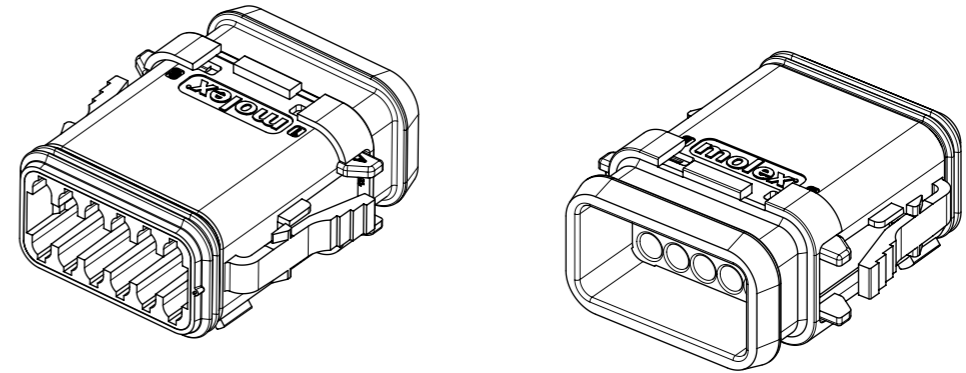
INSPECTION NUMBERS 51-100  
RESERVED FOR SHEET 5  
LAST INSPECTION NUMBER 53

SYMBOLS		THIS DRAWING CONTAINS INFORMATION THAT IS PROPRIETARY TO MOLEX ELECTRONIC TECHNOLOGIES, LLC AND SHOULD NOT BE USED WITHOUT WRITTEN PERMISSION		CURRENT REV DESC: SEE LONG TEXT		<b>molex</b>	
▽ = 0	mm	SCALE	3:1	GENERAL TOLERANCES (UNLESS SPECIFIED)			
▽ = 0		ANGULAR TOL ± 2.0°		EC NO: 619923		PRODUCT CUSTOMER DRAWING	
▽ = 0	4 PLACES ±	DRWN: JFLETCHER		2019/07/01		DOCUMENT NUMBER	
▽ = 0	3 PLACES ±	CHK'D: IOCONNELL		2019/08/15		DOC TYPE	
▽ = 0	2 PLACES ±	APPR: IOCONNELL		2019/08/16		DOC PART	
▽ = 0	1 PLACE ±	INITIAL REVISION:		DRWN: JFLETCHER		REVISION	
▽ = 0	0 PLACES ±	DRWN: JFLETCHER		2015/12/16		934430060	
▽ = 0		APPR: JDWALLACE		2016/01/14		PSD	
▽ = 0	DRAFT WHERE APPLICABLE MUST REMAIN WITHIN DIMENSIONS	THIRD ANGLE PROJECTION	DRAWING	SERIES	MATERIAL NUMBER	CUSTOMER	SHEET NUMBER
▽ = 0			A3-SIZE	93443	SEE CHART	GENERAL MARKET	5 OF 9

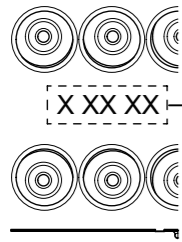
12CCT PLUG CONNECTOR



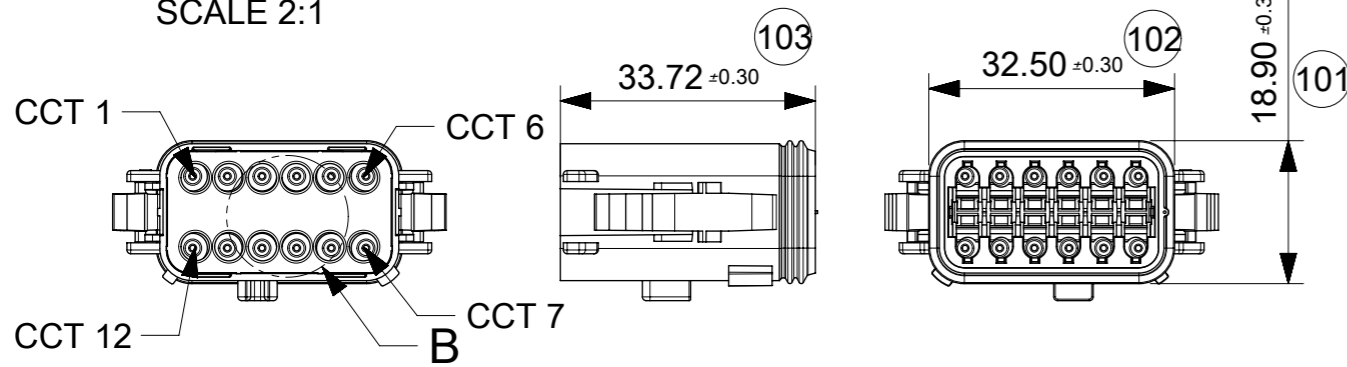
12CCT PLUG CONNECTOR WITH HEATSHRINK HOUSING ULTRASONICALLY WELDED IN PLACE



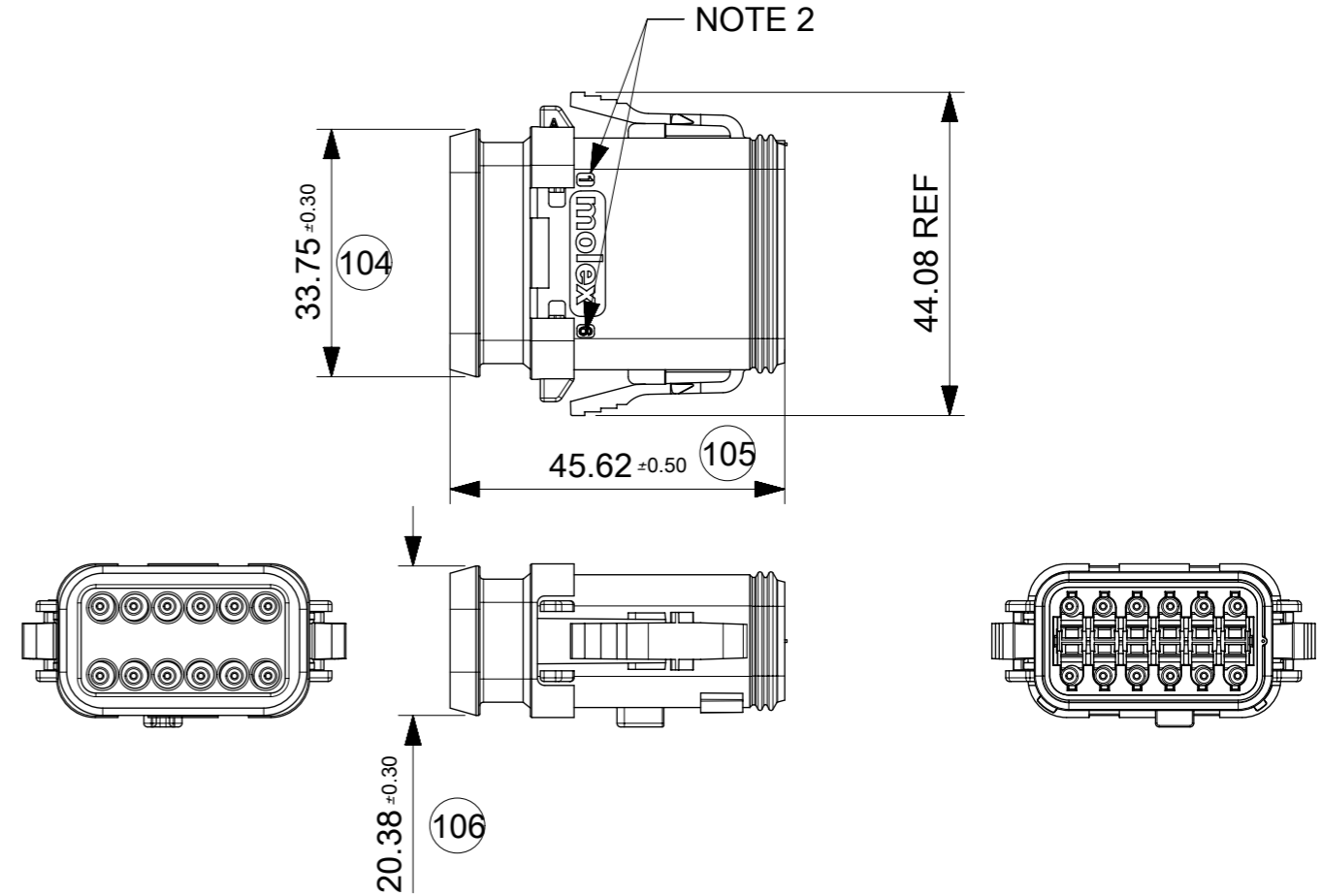
DATE CODE: X XX XX  
 X — DAY: 1-7  
 X — WEEK: 01 - 52  
 X — YEAR: 00 - 99  
 # — MACHINE NO. 1  
 EXAMPLE: 11315 = DAY 1, WEEK 13, YEAR 15  
 i.e. 23rd OF MARCH 2015



DETAIL B  
 SCALE 2:1



NOTE 2



NOTES

- MATERIAL  
 HOUSING: NYLON 30% GLASS FILL  
 PLUG SEAL: SILICONE  
 BACK SEAL: HIGH CONSISTENCY RUBBER
  - CIRCUIT IDENTIFICATION
  - JACKET RANGE LARGE =  $\varnothing$ 2.23mm TO 3.68mm (SEAL COLOUR: LIGHT BLUE)  
 JACKET RANGE SMALL =  $\varnothing$ 1.20mm TO 3.05mm (SEAL COLOUR: BURNT ORANGE)
  - SEE SHEET 7 FOR FINAL PART NUMBER DESIGNATION
  - SEE 934430010 PSP FOR PRODUCT SPECIFICATION
  - SEE 934430002 PS K FOR PACKAGING SPECIFICATION
- INSPECTION NUMBERS 101-150 RESERVED FOR SHEET 6  
 LAST INSPECTION NUMBER 106

SYMBOLS		THIS DRAWING CONTAINS INFORMATION THAT IS PROPRIETARY TO MOLEX ELECTRONIC TECHNOLOGIES, LLC AND SHOULD NOT BE USED WITHOUT WRITTEN PERMISSION	
▽ = 0	mm	SCALE	1:1
▽ = 0	GENERAL TOLERANCES (UNLESS SPECIFIED)		
▽ = 0	ANGULAR TOL ± 2.0°		
▽ = 0	4 PLACES ±	CURRENT REV DESC: SEE LONG TEXT	
▽ = 0	3 PLACES ±	EC NO: 619923	
▽ = 0	2 PLACES ± 0.1	DRWN: JFLETCHER 2019/07/01	
▽ = 0	1 PLACE ± 0.2	CHK'D: IOCONNELL 2019/08/15	
▽ = 0	0 PLACES ±	APPR: IOCONNELL 2019/08/16	
■ = 0	DRAFT WHERE APPLICABLE MUST REMAIN WITHIN DIMENSIONS		
▽ = 0	THIRD ANGLE PROJECTION		
DRAWING		SERIES	MATERIAL NUMBER
A3-SIZE		93443	SEE CHART
DOCUMENT NUMBER		DOC TYPE	DOC PART
934430060		PSD	000
CUSTOMER		REVISION	SHEET NUMBER
GENERAL MARKET		C3	6 OF 9



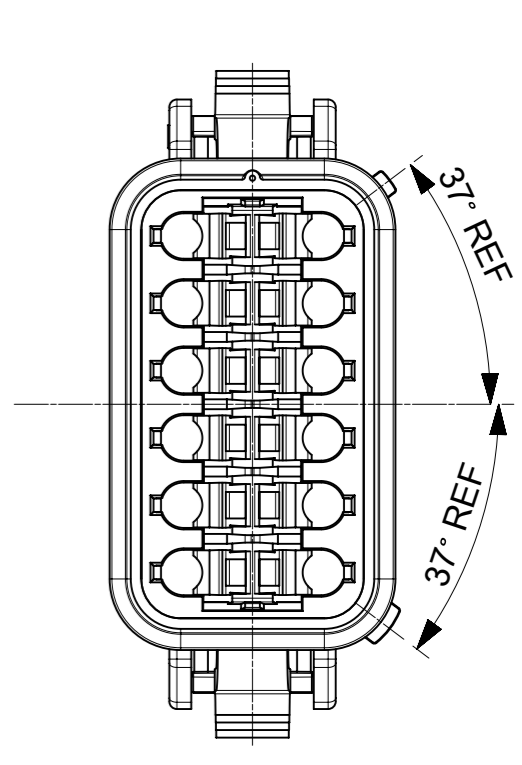
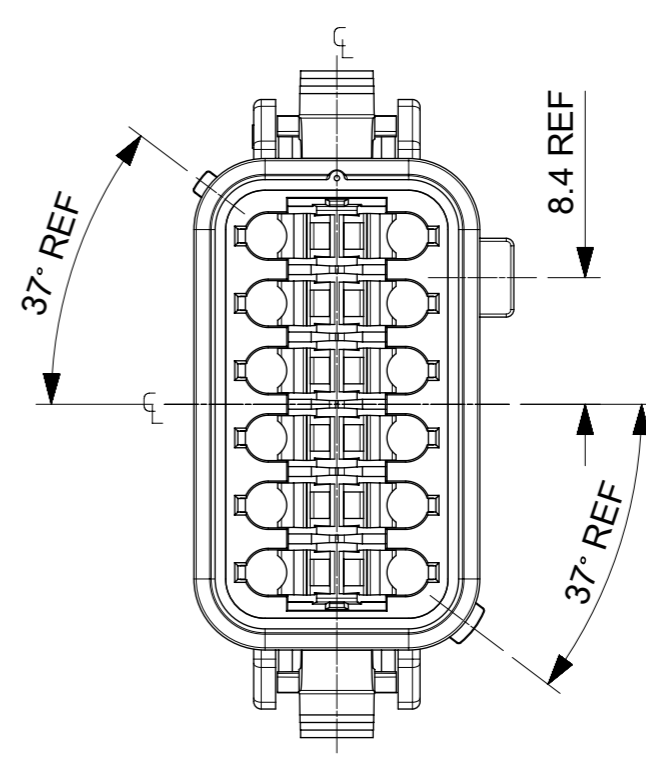
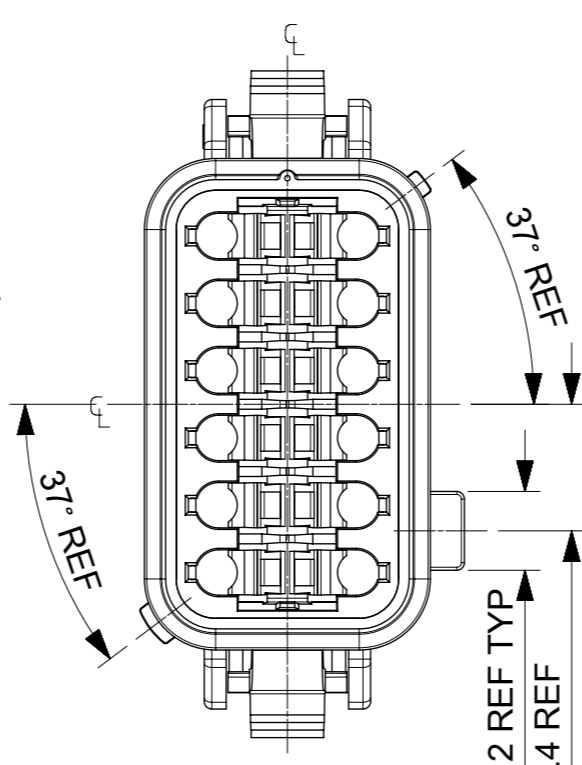
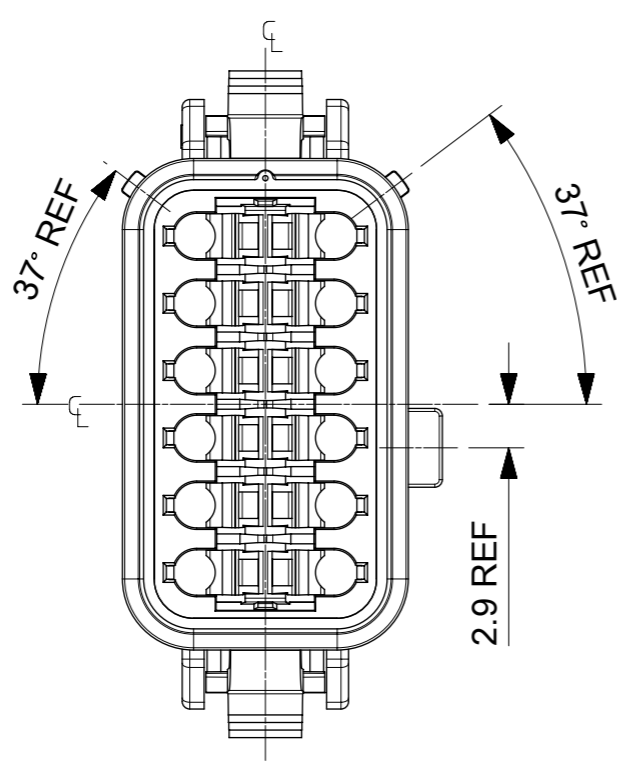
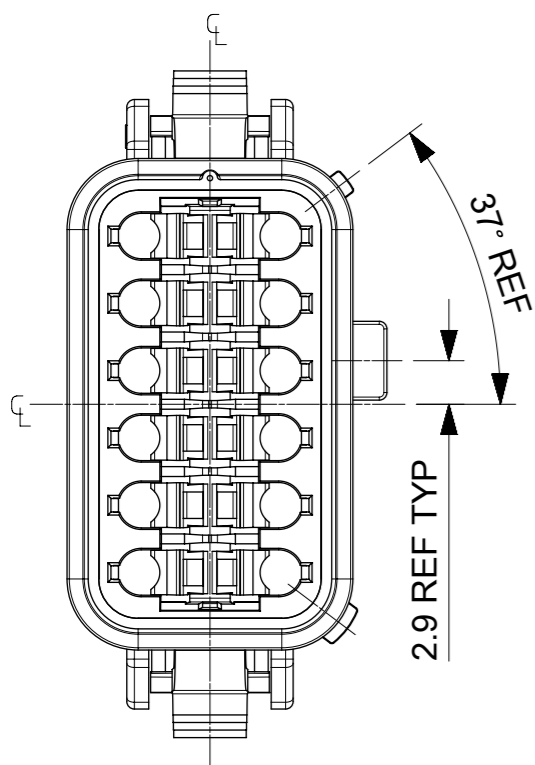
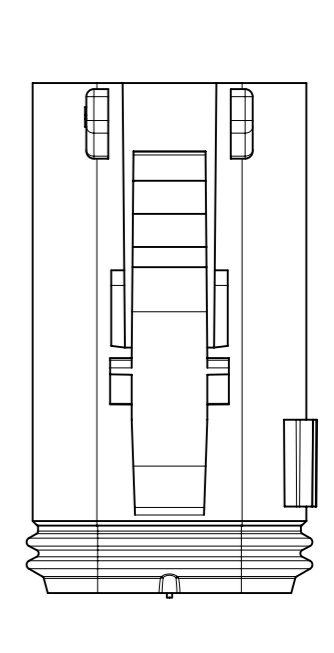
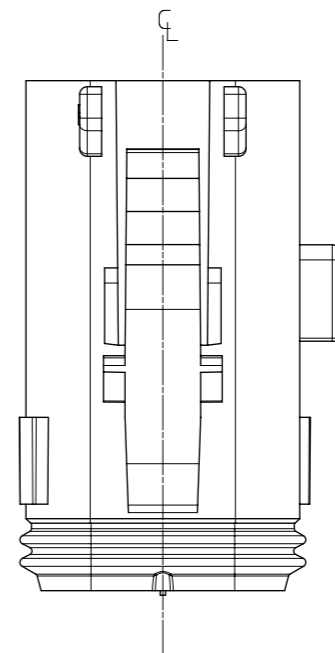
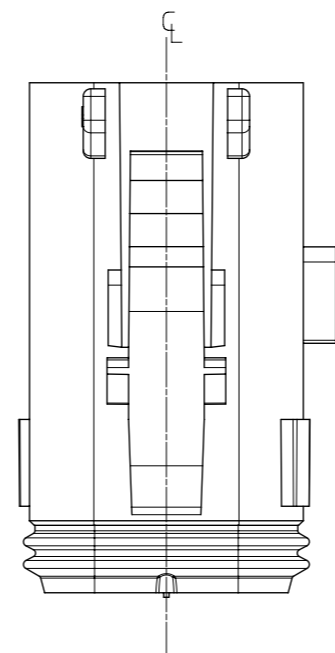
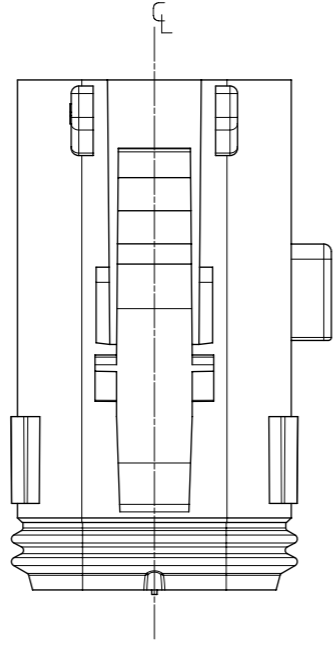
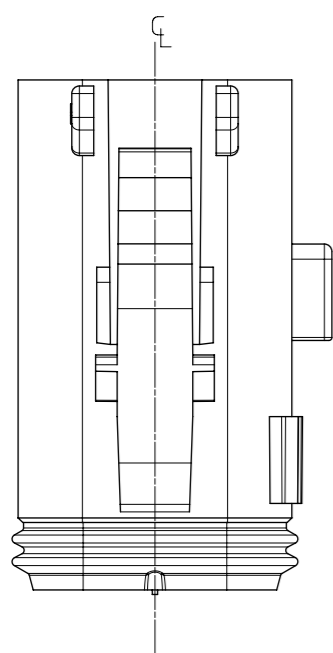
KEYING OPTION A

KEYING OPTION B

KEYING OPTION C

KEYING OPTION D

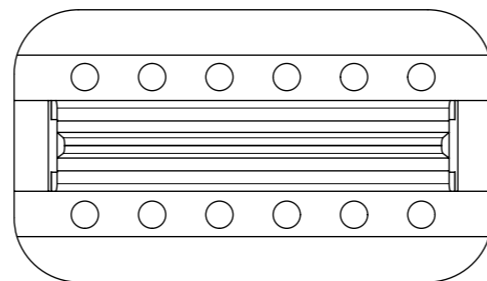
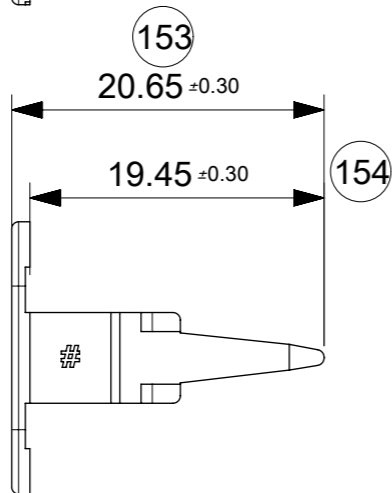
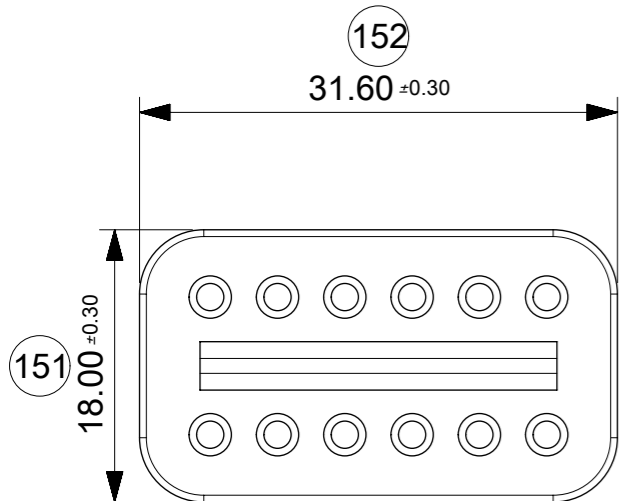
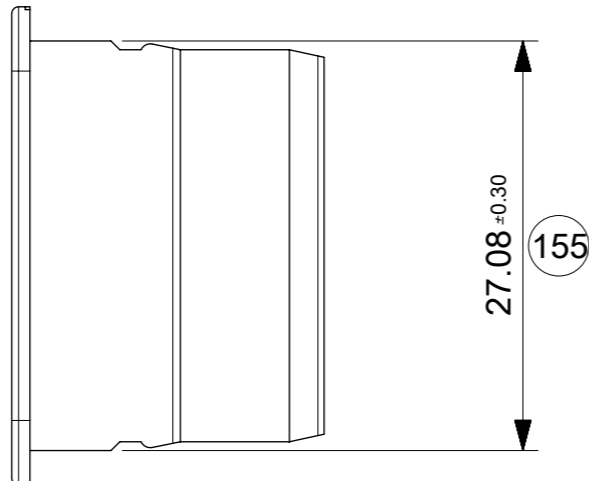
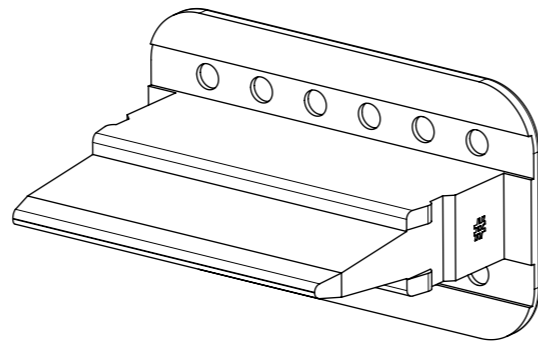
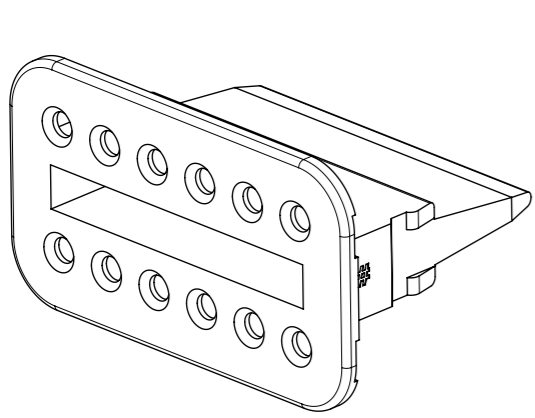
KEYING OPTION E



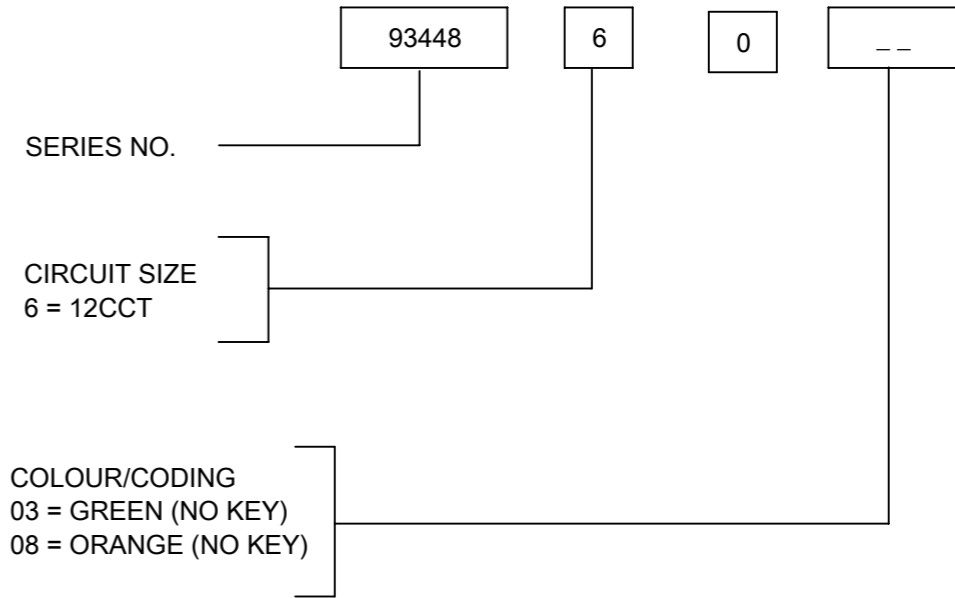
NOTES  
1. SEE SHEETS 6 & 7 FOR UNSPECIFIED NOTES AND DIMENSIONS

SYMBOLS	THIS DRAWING CONTAINS INFORMATION THAT IS PROPRIETARY TO MOLEX ELECTRONIC TECHNOLOGIES, LLC AND SHOULD NOT BE USED WITHOUT WRITTEN PERMISSION	
	DIMENSION UNITS	SCALE
▽ = 0	mm	2:1
▽ = 0	GENERAL TOLERANCES (UNLESS SPECIFIED)	
▽ = 0	ANGULAR TOL ± 2.0°	
▽ = 0	4 PLACES ±	EC NO: 619923
▽ = 0	3 PLACES ±	DRWN: JFLETCHER 2019/07/01
▽ = 0	2 PLACES ± 0.1	CHK'D: IOCONNELL 2019/08/15
▽ = 0	1 PLACE ± 0.2	APPR: IOCONNELL 2019/08/16
▽ = 0	0 PLACES ±	INITIAL REVISION:
☒ = 0	DRAFT WHERE APPLICABLE MUST REMAIN WITHIN DIMENSIONS	DRWN: JFLETCHER 2015/12/16
▽ = 0	THIRD ANGLE PROJECTION	APPR: JDWALLACE 2016/01/14
		DRAWING
		SERIES
		MATERIAL NUMBER
		CUSTOMER
		SHEET NUMBER
DOCUMENT STATUS		DOCUMENT NUMBER
P1		934430060
RELEASE DATE		DOC TYPE
2019/08/16 19:23:27		PSD
		DOC PART
		000
		REVISION
		C3
		SEE CHART
		GENERAL MARKET
		8 OF 9





12CCT PLUG WEDGELOCK



NOTES  
 1. MATERIAL  
 HOUSING: NYLON 30% GLASS FILL

INSPECTION NUMBERS 151-200 RESERVED FOR SHEET 9  
 LAST INSPECTION NUMBER 155

SYMBOLS	THIS DRAWING CONTAINS INFORMATION THAT IS PROPRIETARY TO MOLEX ELECTRONIC TECHNOLOGIES, LLC AND SHOULD NOT BE USED WITHOUT WRITTEN PERMISSION		CURRENT REV DESC: SEE LONG TEXT			<b>molex</b>		
	DIMENSION UNITS	SCALE	EC NO: 619923					
▽ = 0	mm	2:1	DRWN: JFLETCHER 2019/07/01			12CCT ML-XT CV CONNECTOR SYSTEM		
▽ = 0	GENERAL TOLERANCES (UNLESS SPECIFIED)		CHK'D: IOCONNELL 2019/08/15			PRODUCT CUSTOMER DRAWING		
▽ = 0	ANGULAR TOL ± 2.0°		APPR: IOCONNELL 2019/08/16			DOCUMENT NUMBER		
▽ = 0	4 PLACES	±	INITIAL REVISION:			934430060		
▽ = 0	3 PLACES	±	DRWN: JFLETCHER 2015/12/16			DOC TYPE DOC PART REVISION		
▽ = 0	2 PLACES	± 0.1	APPR: JDWALLACE 2016/01/14			PSD 000 C3		
▽ = 0	1 PLACE	± 0.2	THIRD ANGLE PROJECTION			MATERIAL NUMBER CUSTOMER		
▽ = 0	0 PLACES	±	DRAWING			SHEET NUMBER		
▽ = 0	DRAFT WHERE APPLICABLE MUST REMAIN WITHIN DIMENSIONS		SERIES			93443		
▽ = 0			A3-SIZE			SEE CHART GENERAL MARKET 9 OF 9		