

1577622-1 ✓ ACTIVE



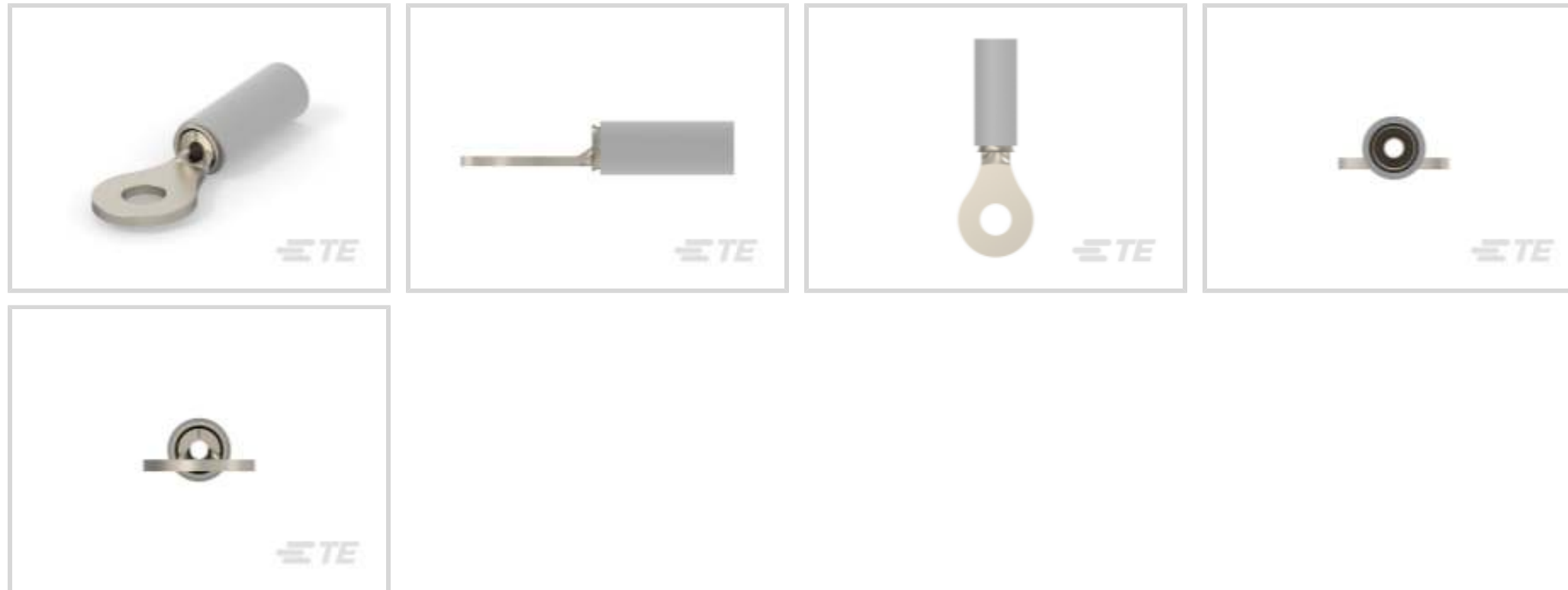
## STRATO-THERM

TE Internal #: 1577622-1

Ring Terminals & Spade Terminals, Ring Tongue, 20 AWG Wire Size, .518 mm<sup>2</sup> Wire Size, 509 – 3260 CMA Wire Size, Stud Size #4, STRATO-THERM

[View on TE.com >](#)

Terminals & Splices > Ring Terminals & Spade Terminals



Ring & Spade Terminal Type: **Ring Tongue**

Wire Size: **509 – 3260 CMA**

Stud Size: **#4**

### Features

#### Product Type Features

Stud Size	#4
Sealable	No
Wire Insulation Support Retention Type	Non-Insulation Support

#### Configuration Features

Number of Holes	1
-----------------	---

#### Electrical Characteristics

Current Rating	1 A
----------------	-----

#### Body Features

Insulation Sleeve Color	Gray
-------------------------	------

#### Contact Features

Ring & Spade Terminal Type	Ring Tongue
Barrel Type	Closed
Terminal Orientation	Straight
Terminal Plating Material	Nickel

#### Mechanical Attachment



Wire Insulation Support	With
-------------------------	------

### Dimensions

Accepts Wire Insulation Diameter (Min)	1.14 mm[.044 in]
--	------------------

Wire Size	509 – 3260 CMA
-----------	----------------

Stud Diameter	3.02 mm[.119 in]
---------------	------------------

Tongue Thickness	.79 mm[.031 in]
------------------	-----------------

Product Length	21.16 mm[.833 in]
----------------	-------------------

Compatible Insulation Diameter (Max)	2.03 mm[.08 in]
--------------------------------------	-----------------

Compatible Insulation Diameter Range	1.14 – 2.03 mm[.045 – .08 in]
--------------------------------------	-------------------------------

### Usage Conditions

Insulation Option	Partially Insulated
-------------------	---------------------

Operating Temperature Range	260 °C[500 °F]
-----------------------------	----------------

### Industry Standards

Government Qualified Terminal	No
-------------------------------	----

### Packaging Features

Packaging Quantity	500
--------------------	-----

Packaging Method	Bag
------------------	-----

### Product Compliance

[For compliance documentation, visit the product page on TE.com>](#)

EU RoHS Directive 2011/65/EU	Compliant
------------------------------	-----------

EU ELV Directive 2000/53/EC	Compliant
-----------------------------	-----------

China RoHS 2 Directive MIIT Order No 32, 2016	No Restricted Materials Above Threshold
---	---

EU REACH Regulation (EC) No. 1907/2006	Current ECHA Candidate List: JUNE 2023 (235) Candidate List Declared Against: JUN 2020 (209) Does not contain REACH SVHC
--	--

Halogen Content	Low Halogen - Br, Cl, F, I < 900 ppm per homogenous material. Also BFR/CFR/PVC Free
-----------------	---

Solder Process Capability	Not applicable for solder process capability
---------------------------	--

#### Product Compliance Disclaimer

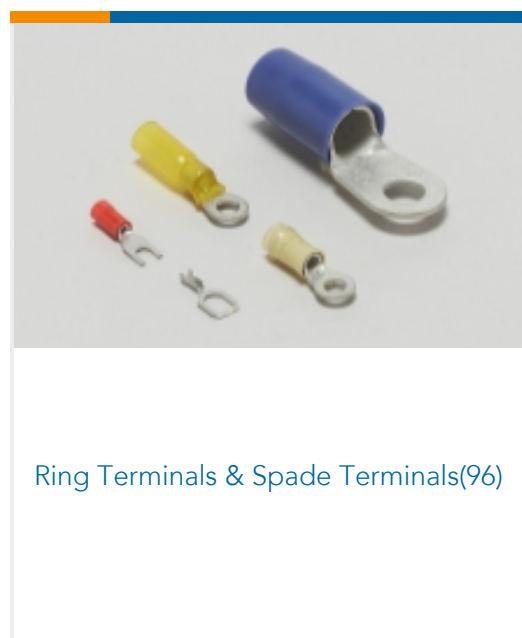
This information is provided based on reasonable inquiry of our suppliers and represents our current actual knowledge based on the information they provided. This information is subject to change. The part numbers that TE has identified as

EU RoHS compliant have a maximum concentration of 0.1% by weight in homogenous materials for lead, hexavalent chromium, mercury, PBB, PBDE, DBP, BBP, DEHP, DIBP, and 0.01% for cadmium, or qualify for an exemption to these limits as defined in the Annexes of Directive 2011/65/EU (RoHS2). Finished electrical and electronic equipment products will be CE marked as required by Directive 2011/65/EU. Components may not be CE marked. Additionally, the part numbers that TE has identified as EU ELV compliant have a maximum concentration of 0.1% by weight in homogenous materials for lead, hexavalent chromium, and mercury, and 0.01% for cadmium, or qualify for an exemption to these limits as defined in the Annexes of Directive 2000/53/EC (ELV). Regarding the REACH Regulation, the information TE provides on SVHC in articles for this part number is based on the latest European Chemicals Agency (ECHA) 'Guidance on requirements for substances in articles' posted at this URL: <https://echa.europa.eu/guidance-documents/guidance-on-reach>

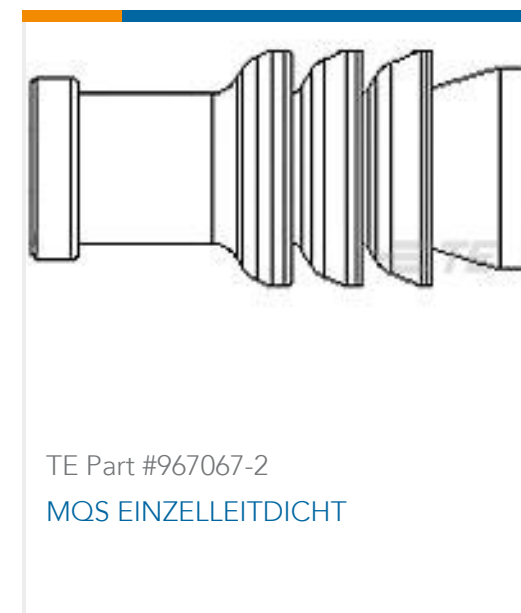
## Compatible Parts



## Also in the Series | STRATO-THERM



## Customers Also Bought





TE Part #1-794613-1  
PIN CONT 26-30 15 GOLD L/P



TE Part #5-1879354-2  
RR03 5% 43R AMMO



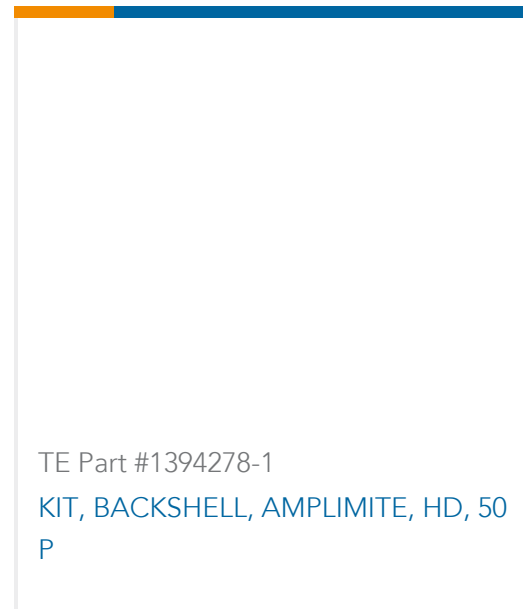
TE Part #173630-6  
070 MLC REC CONT 24-22



TE Part #1718758-1  
MCON 1.2 LL TAB SWS SN



TE Part #443976-3  
AMPLIMITE,ASY,RCPT,POSTD,109,3



TE Part #1394278-1  
KIT, BACKSHELL, AMPLIMITE, HD, 50 P

## Documents

### Product Drawings

[TERMINAL, PEEK PIDG STRATO, 20AWG](#)

English

### CAD Files

[3D PDF](#)

3D

Customer View Model

[ENG\\_CVM\\_CVM\\_1577622-1\\_B.2d\\_dxf.zip](#)

English

Customer View Model

[ENG\\_CVM\\_CVM\\_1577622-1\\_B.3d\\_igs.zip](#)

English

Customer View Model

[ENG\\_CVM\\_CVM\\_1577622-1\\_B.3d\\_stp.zip](#)

English

By downloading the CAD file I accept and agree to the [Terms and Conditions](#) of use.

### Product Specifications

[Application Specification](#)

English

### Product Environmental Compliance

[TE Material Declaration](#)

English