

# HSD Right Angle Connector

## CAM-J14HR / R41-B676

# MITSUMI

### FEATURES

Model Name	CAM-J14HR
Part Number	R41-B676
Description	HSD 4+0 Connector, Right-Angle
Coding Direction	Reverse



Materials	
Signal Pin	Copper Alloy
Housing	PA Resin
Shell	Copper Alloy
Cover	PA Resin

External Dimensions	
Height	14.15 mm
Width	12.0 mm
Depth	27.1 mm
Outer Contact Length	2.3 mm

Applicable Standards
USCAR-2
DIN EN 60068-2

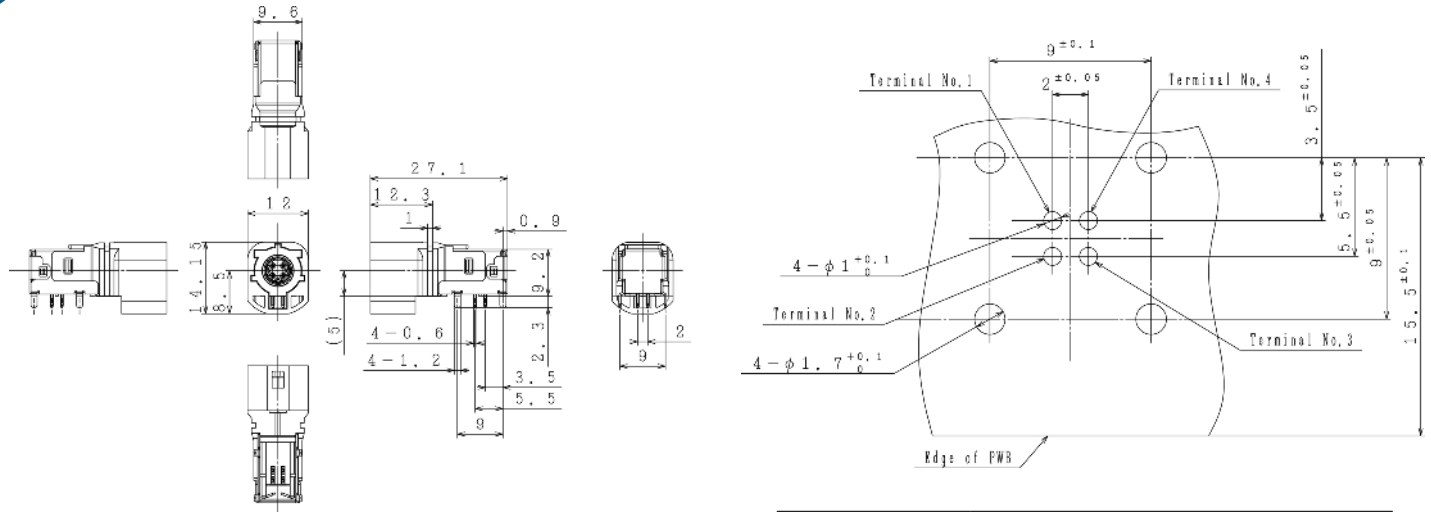
### SPECIFICATIONS

Electrical Characteristics	
Impedance	100Ω
Frequency Range	DC to 2 GHz
Return Loss	≥ 20 dB up to 1 GHz; ≥ 17 dB up to 2 GHz
Insertion Loss	≤ 0.1 dB up to 2 GHz
Skew	≤ 5 ps
Near-end Crosstalk	≤ 30 dB (1GHz)
Far-end Crosstalk	≤ 35 dB (1GHz)
Insulation Resistance	≥ 1 x 10 <sup>3</sup> MΩ
Signal Contact Resistance	≤ 20 mΩ
Outer Contact Resistance	≤ 20 mΩ
Test Voltage	250 Vrms
Working Voltage	100 Vrms
Power Current	-
Signal Current	Max. DC 3A
Differential Shielding Effectiveness	≥ 75 dB up to 1 GHz; ≥ 65 dB up to 2 GHz

Mechanical Characteristics	
Mating Cycles	≥ 25
Engagement Force	≤ 30 N
Disengagement Force	≥ 5 N
Retention Force Latch	≥ 110 N

Environmental Conditions	
Temperature Range	-40 °C ~ 105 °C
Thermal Shock	DIN EN 60068-2-14
Temperature and Humidity	USCAR-2 (5.6.2)
Vibration	DIN EN 60068-2-64
Mechanical Shock	DIN EN 60068-2-27
Maximum Soldering Temperature	255 °C
RoHS Compliant/Lead Free	Compliant

## DIMENSIONS / FOOTPRINT / TERMINAL PINNING



<b>Packing</b>	
Weight/Unit	5.10 g
Reel	200 pcs/reel; 600 pcs(3 reels)/carton

## ORDERING INFORMATION

<b>HSD Coding</b>				
Shape	Coding	Color	RAL. No.	Part Number
	G	Blue Gray	7031	R41-B676G
	H	Heather Violet	4003	R41-B676H
	J	Beige	1001	R41-B676J
	K	Curry	1027	R41-B676K
	L	Yellow Green	6018	R41-B676L
	M	Pastel Orange	2003	R41-B676M
	P	Light Green	6027	R41-B676O