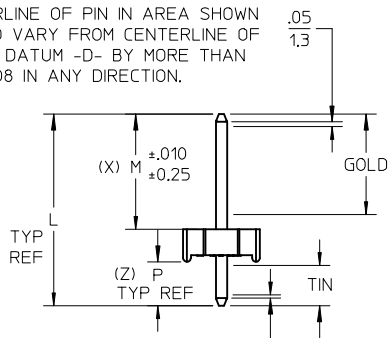
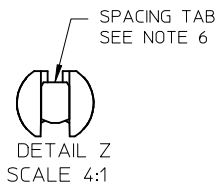
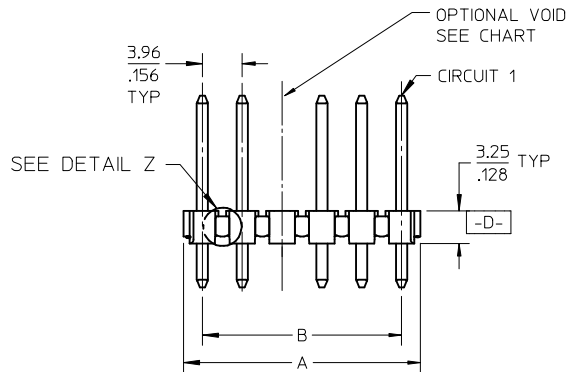


CENTERLINE OF PIN IN AREA SHOWN NOT TO VARY FROM CENTERLINE OF PIN AT DATUM -D- BY MORE THAN 0.20/.008 IN ANY DIRECTION.



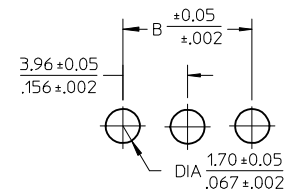
CENTERLINE OF PIN IN AREA SHOWN NOT TO VARY FROM CENTERLINE OF PIN AT DATUM -D- BY MORE THAN 0.13/.005 IN ANY DIRECTION.



B	A	CKT SIZE
3.96/1.56	6.78-7.87 / .267-.310	2
7.92/3.12	10.74-11.84 / .423-.466	3
11.89/4.68	14.71-15.80 / .579-.622	4
15.85/6.24	18.67-19.76 / .735-.778	5
19.81/7.80	22.63-23.72 / .891-.934	6
23.77/9.36	26.59-27.69 / 1.047-1.090	7
27.74/10.92	30.56-31.65 / 1.203-1.246	8
31.70/12.48	34.52-35.61 / 1.359-1.402	9
35.66/14.04	38.48-39.57 / 1.515-1.558	10
39.62/15.60	42.44-43.54 / 1.671-1.714	11
43.59/17.16	46.41-47.50 / 1.827-1.870	12
47.55/18.72	50.37-51.46 / 1.983-2.026	13
51.51/2.028	54.33-55.42 / 2.139-2.182	14
55.47/2.184	58.29-59.39 / 2.295-2.338	15
59.44/2.340	62.26-63.35 / 2.451-2.494	16
63.40/2.496	66.22-67.31 / 2.607-2.650	17
67.36/2.652	70.18-71.27 / 2.763-2.806	18
71.32/2.808	74.14-75.23 / 2.919-2.962	19
75.29/2.964	78.11-79.20 / 3.075-3.118	20
79.25/3.120	82.07-83.16 / 3.231-3.274	21
83.21/3.276	86.03-87.12 / 3.387-3.430	22
87.17/3.432	89.94-91.08 / 3.541-3.586	23
91.14/3.588	93.85-95.00 / 3.695-3.740	24

- NOTES:
- MATERIAL: HEADER: GLASS FILLED POLYESTER, 94V-0, MOLDED BLACK.
 - FINISH:
 - (197) OVERALL REFLOWED MATTE TIN: 0.00152/.000060 MIN OVER 0.00127/.000050 MIN. NICKEL OVERALL.
 - (222) OVERALL MATTE TIN: 0.00254/.000100 MIN OVER 0.00127/.000050 MIN NICKEL
 - (208) SELECT GOLD: 0.00038/.000015 MIN, SELECT TIN: 0.00254/.000100 MIN, OVERALL NICKEL UNDERPLATE: 0.00127/.000050 MIN.
 - (228) SELECT GOLD: 0.00076/.000030 MIN, SELECT TIN: 0.00254/.000100 MIN, OVERALL NICKEL UNDERPLATE: 0.00127/.000050 MIN.
 - (241) SELECT GOLD: 0.00051/.000020 MIN, SELECT TIN: 0.00254/.000100 MIN, OVERALL NICKEL UNDERPLATE: 0.00127/.000050 MIN.
 - THIS PART CONFORMS TO PRODUCT SPEC PS-08-50.
 - PACKAGING: SEE CHARTS.
 - SOLDERABILITY: SEE SMES 152.
 - PARTS ARE STACKABLE END TO END ON 3.96/.156 CENTERS. (SPACING TABS MUST BE REMOVED ON CIRCUIT SIZES 2 THRU 23 BEFORE PARTS ARE STACKABLE.)
 - THIS PART CONFORMS TO CLASS B REQUIREMENTS OF COSMETIC SPECIFICATION PS-45499-002.
 - PIN PUSH-OUT FORCE: PRIOR TO SOLDERING, A 3 LB MINIMUM FORCE (IN EITHER DIRECTION) SHALL BE REQUIRED TO PUSH THE PIN OUT OF THE HEADER.
 - TEXT ON PART IS FOR REFERENCE ONLY. TEXT AND TEXT LOCATION MAY VARY DEPENDING ON PART NUMBER AND/OR TOOL.

A-41661- * N * * - *
 PACKAGING & OPTIONS B=BRASS-BULK PACKED
 NO. OF CKTS. _____
 VOID CODE BLANK=NO VOIDS NO=CKT NO. VOIDED MULT. VOIDS START WITH #51
 PLATING CODE _____
 PIN DIMENSIONS _____



PCB LAYOUT: COMPONENT SIDE RECOMMENDED PCB THICKNESS: 1.57±.18/.062±.007

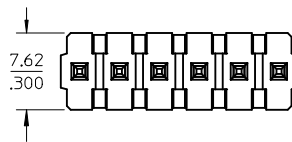
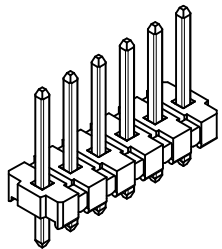
DRAWING FORMAT	SHEETS	REV LEVEL
GENERAL DOCS.	2-*	BE
ANNOTATOR	1	BF

NOTE 9 ADDED
 EC NO: UCP2018-0013
 DRAWINGS: 2017/07/05
 CHKD: BF
 APPR: ISHWARG 2017/07/28

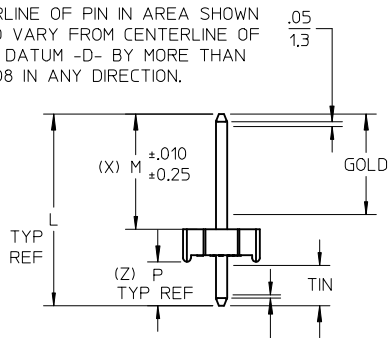
QUALITY SYMBOLS	GENERAL TOLERANCES (UNLESS SPECIFIED)	
	mm	INCH
$F_A=0$	4 PLACES ± ---	± ---
$F_C=0$	3 PLACES ± ---	± .010
$F_P=0$	2 PLACES ± 0.25	± .014
	1 PLACE ± 0.36	± ---
	0 PLACE ±	±
	ANGULAR ±1/2°	
	DRAFT WHERE APPLICABLE MUST REMAIN WITHIN DIMENSIONS	

DIMENSION STYLE	
MM/IN	SCALE
DRAWN BY JSCHAFFER	DATE 2004/03/04
CHECKED BY KSAMIEC	DATE 2004/03/04
APPROVED BY MARGULIS	DATE 2004/03/04
MATERIAL NO.	SEE CHART
SIZE	A3

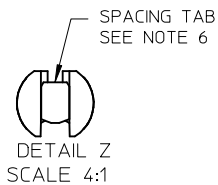
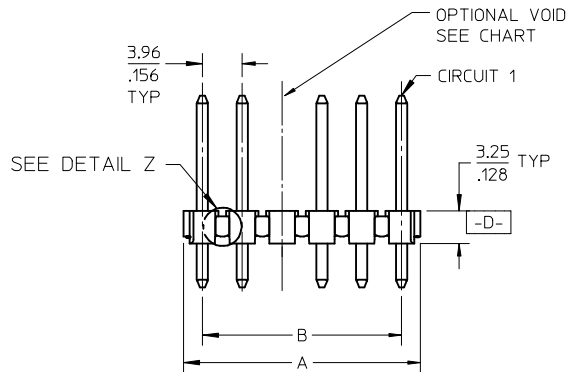
SCALE	DESIGN UNITS	THIRD ANGLE PROJECTION
2:1	INCH	
TITLE		
KK .156 HEADER ASSEMBLY FLAT BREAKAWAY 2-24 CKTS		
molex		
MATERIAL NO.	DOCUMENT NO.	SHEET NO.
SEE CHART	SD-41661-001	1 OF *
THIS DRAWING CONTAINS INFORMATION THAT IS PROPRIETARY TO MOLEX INCORPORATED AND SHOULD NOT BE USED WITHOUT WRITTEN PERMISSION		



CENTERLINE OF PIN IN AREA SHOWN NOT TO VARY FROM CENTERLINE OF PIN AT DATUM -D- BY MORE THAN 0.20/.008 IN ANY DIRECTION.



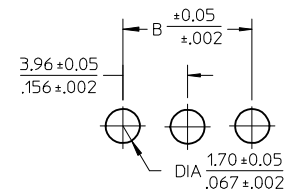
CENTERLINE OF PIN IN AREA SHOWN NOT TO VARY FROM CENTERLINE OF PIN AT DATUM -D- BY MORE THAN 0.13/.005 IN ANY DIRECTION.



B	A	CKT SIZE
3.96/1.156	6.78-7.87 / .267-.310	2
7.92/2.312	10.74-11.84 / .423-.466	3
11.89/3.624	14.71-15.80 / .579-.622	4
15.85/4.624	18.67-19.76 / .735-.778	5
19.81/5.780	22.63-23.72 / .891-.934	6
23.77/6.936	26.59-27.69 / 1.047-1.090	7
27.74/8.102	30.56-31.65 / 1.203-1.246	8
31.70/9.248	34.52-35.61 / 1.359-1.402	9
35.66/10.404	38.48-39.57 / 1.515-1.558	10
39.62/11.560	42.44-43.54 / 1.671-1.714	11
43.59/12.716	46.41-47.50 / 1.827-1.870	12
47.55/13.872	50.37-51.46 / 1.983-2.026	13
51.51/15.028	54.33-55.42 / 2.139-2.182	14
55.47/16.184	58.29-59.39 / 2.295-2.338	15
59.44/17.340	62.26-63.35 / 2.451-2.494	16
63.40/18.496	66.22-67.31 / 2.607-2.650	17
67.36/19.652	70.18-71.27 / 2.763-2.806	18
71.32/20.808	74.14-75.23 / 2.919-2.962	19
75.29/21.964	78.11-79.20 / 3.075-3.118	20
79.25/23.120	82.07-83.16 / 3.231-3.274	21
83.21/24.276	86.03-87.12 / 3.387-3.430	22
87.17/25.432	89.94-91.08 / 3.541-3.586	23
91.14/26.588	93.85-95.00 / 3.695-3.740	24

- NOTES:
- MATERIAL: HEADER: GLASS FILLED POLYESTER, 94V-0, MOLDED BLACK.
 - FINISH:
 - (197) OVERALL REFLOWED MATTE TIN: 0.00152/.000060 MIN OVER 0.00127/.000050 MIN. NICKEL OVERALL.
 - (222) OVERALL MATTE TIN: 0.00254/.000100 MIN OVER 0.00127/.000050 MIN NICKEL
 - (208) SELECT GOLD: 0.00038/.000015 MIN, SELECT TIN: 0.00254/.000100 MIN, OVERALL NICKEL UNDERPLATE: 0.00127/.000050 MIN.
 - (228) SELECT GOLD: 0.00076/.000030 MIN, SELECT TIN: 0.00254/.000100 MIN, OVERALL NICKEL UNDERPLATE: 0.00127/.000050 MIN.
 - (241) SELECT GOLD: 0.00051/.000020 MIN, SELECT TIN: 0.00254/.000100 MIN, OVERALL NICKEL UNDERPLATE: 0.00127/.000050 MIN.
 - THIS PART CONFORMS TO PRODUCT SPEC PS-08-50.
 - PACKAGING: SEE CHARTS.
 - SOLDERABILITY: SEE SMES 152.
 - PARTS ARE STACKABLE END TO END ON 3.96/.156 CENTERS. (SPACING TABS MUST BE REMOVED ON CIRCUIT SIZES 2 THRU 23 BEFORE PARTS ARE STACKABLE.)
 - THIS PART CONFORMS TO CLASS B REQUIREMENTS OF COSMETIC SPECIFICATION PS-45499-002.
 - PIN PUSH-OUT FORCE: PRIOR TO SOLDERING, A 3 LB MINIMUM FORCE (IN EITHER DIRECTION) SHALL BE REQUIRED TO PUSH THE PIN OUT OF THE HEADER.
 - TEXT ON PART IS FOR REFERENCE ONLY. TEXT AND TEXT LOCATION MAY VARY DEPENDING ON PART NUMBER AND/OR TOOL.

A-41661- * N * * - *
 PACKAGING & OPTIONS
 B=BRASS-BULK PACKED
 NO. OF CKTS.
 VOID CODE
 BLANK=NO VOIDS
 NO=CKT NO. VOIDED
 MULT. VOIDS START WITH #51
 PLATING CODE
 PIN DIMENSIONS



PCB LAYOUT: COMPONENT SIDE RECOMMENDED PCB THICKNESS: 1.57±.18/.062±.007

DRAWING FORMAT	SHEETS	REV LEVEL
GENERAL DOCS.	2-*	BE
ANNOTATOR	1	BF

NOTE 9 ADDED
 EC NO: UCP2018-0013
 DRAWINGS: 2017/07/05
 CHKD: BF
 APPR: ISHWARG
 2017/07/28

QUALITY SYMBOLS	GENERAL TOLERANCES (UNLESS SPECIFIED)	
	mm	INCH
$F_A=0$	4 PLACES ± ---	± ---
$F_C=0$	3 PLACES ± ---	± .010
$F_P=0$	2 PLACES ± 0.25	± .014
	1 PLACE ± 0.36	± ---
	0 PLACE ±	±
	ANGULAR ±1/2°	
	DRAFT WHERE APPLICABLE MUST REMAIN WITHIN DIMENSIONS	

DIMENSION STYLE	
MM/IN	
DRAWN BY	DATE
JSCHAFFER	2004/03/04
CHECKED BY	DATE
KSAMIEC	2004/03/04
APPROVED BY	DATE
MARGULIS	2004/03/04
MATERIAL NO.	SEE CHART
SIZE	A3

SCALE	DESIGN UNITS	THIRD ANGLE PROJECTION
2:1	INCH	
TITLE		
KK .156 HEADER ASSEMBLY FLAT BREAKAWAY 2-24 CKTS		
molex		
MATERIAL NO.	DOCUMENT NO.	SHEET NO.
SEE CHART	SD-41661-001	1 OF *
THIS DRAWING CONTAINS INFORMATION THAT IS PROPRIETARY TO MOLEX INCORPORATED AND SHOULD NOT BE USED WITHOUT WRITTEN PERMISSION		

PIN NUMBER	43294-0240	PIN NUMBER	CONTINUED	PIN NUMBER	43294-0236	PIN NUMBER	43294-0237				
PIN LENGTH	19.05/.750	PIN LENGTH		PIN LENGTH	19.05/.750	PIN LENGTH	19.05/.750				
PLATING	197	PLATING	FROM	PLATING	208	PLATING	228				
MATING "M"	11.43/.450	MATING "M"		MATING "M"	11.43/.450	MATING "M"	11.43/.450				
PCB "P"	4.37/.172	PCB "P"	LAST	PCB "P"	4.37/.172	PCB "P"	4.37/.172				
GOLD "G"	N/A	GOLD "G"		GOLD "G"	6.86 / .270	GOLD "G"	6.86/.270				
TIN "T"	OVERALL	TIN "T"	COLUMN	TIN "T"	4.06/.160	TIN "T"	4.06/.160				
PACKAGING	PK-41661-001	PACKAGING		PACKAGING	PK-41661-001	PACKAGING	PK-41661-001				
STATUS		STATUS		STATUS		STATUS					
A-41661-BNA197-*			A-41661-BNA197-*			A-41661-BNA208-*			A-41661-BNA228-*		
MATERIAL	ENGINEERING	VOIDS	MATERIAL	ENGINEERING	VOIDS	MATERIAL	ENGINEERING	VOIDS	MATERIAL	ENGINEERING	VOIDS
26-48-1021	-B2A197		26-50-3092	-B9A197-7	7	41661-0001	-B02A208		41661-0024	-B02A228	
26-48-1031	-B3A197		26-50-3201	-B20A197-3	3	41661-0002	-B03A208		41661-0025	-B03A228	
26-48-1041	-B4A197		26-50-3164	-B16A197-52	2, 15	41661-0003	-B04A208		41661-0026	-B04A228	
26-48-1051	-B5A197		41661-2004	-B6A197-4	4	41661-0004	-B05A208		41661-0027	-B05A228	
26-48-1061	-B6A197		41661-2005	-B4A197-51	2,3	41661-0005	-B06A208		41661-0028	-B06A228	
26-48-1071	-B7A197		41661-2006	-B5A197-3	3	41661-0006	-B07A208		41661-0029	-B07A228	
26-48-1081	-B8A197		26-50-3039	-B3A197-2	2	41661-0007	-B08A208		41661-0030	-B08A228	
26-48-1091	-B9A197		26-50-3049	-B4A197-2	2	41661-0008	-B09A208		41661-0031	-B09A228	
26-48-1101	-B10A197		26-50-3059	-B5A197-2	2	41661-0009	-B10A208		41661-0032	-B10A228	
26-48-1111	-B11A197		26-50-3069	-B6A197-2	2	41661-0010	-B11A208		41661-0033	-B11A228	
26-48-1121	-B12A197		26-50-3074	-B7A197-2	2	41661-0011	-B12A208		41661-0034	-B12A228	
26-48-1131	-B13A197		26-50-3089	-B8A197-2	2	41661-0012	-B13A208		41661-0035	-B13A228	
26-48-1141	-B14A197		26-50-3099	-B9A197-2	2	41661-0013	-B14A208		41661-0036	-B14A228	
26-48-1151	-B15A197		26-50-3104	-B10A197-2	2	41661-0014	-B15A208		41661-0037	-B15A228	
26-48-1161	-B16A197		26-50-3119	-B11A197-2	2	41661-0015	-B16A208		41661-0038	-B16A228	
26-48-1171	-B17A197		26-50-3129	-B12A197-2	2	41661-0016	-B17A208		41661-0039	-B17A228	
26-48-1181	-B18A197		26-50-3139	-B13A197-2	2	41661-0017	-B18A208		41661-0040	-B18A228	
26-48-1191	-B19A197		26-50-3149	-B14A197-2	2	41661-0018	-B19A208		41661-0041	-B19A228	
26-48-1201	-B20A197		26-50-3159	-B15A197-2	2	41661-0019	-B20A208		41661-0042	-B20A228	
26-48-1211	-B21A197		26-50-3169	-B16A197-2	2	41661-0020	-B21A208		41661-0043	-B21A228	
26-48-1221	-B22A197		26-50-3179	-B17A197-2	2	41661-0021	-B22A208		41661-0044	-B22A228	
26-48-1231	-B23A197		26-50-3189	-B18A197-2	2	41661-0022	-B23A208		41661-0045	-B23A228	
26-48-1241	-B24A197		26-50-3199	-B19A197-2	2	41661-0023	-B24A208		41661-0046	-B24A228	
26-48-1178	-B17A197-3	3	26-50-3209	-B20A197-2	2						
26-48-1138	-B13A197-3	3	50-29-1687	-B07A197-4	4						
26-50-3105	-B10A197-4	4	50-29-1612	-B15A197-7	7						

REV: BE	ECR/ECN INFORMATION: EC No.: UCP2012-0114 DATE: 10/31/2011	TITLE: KK 156 HEADER ASSEMBLY FLAT BREAKAWAY 2-24 CKTS	SHEET No. - 2 -
DOCUMENT NUMBER: SD- 41661 -001	CREATED / REVISED BY: MMSTROH	CHECKED BY: MKIPPER	APPROVED BY: FSMITH

PIN NUMBER 43294-0364			PIN NUMBER 43294-0419			PIN NUMBER 43294-0474			PIN NUMBER 43294-0661		
PIN LENGTH 22.61/.890			PIN LENGTH 23.88/.940			PIN LENGTH 25.40/1.000			PIN LENGTH 30.48/1.200		
PLATING 197			PLATING 197			PLATING 241			PLATING 197		
MATING "M" 14.99/.590			MATING "M" 16.26/.640			MATING "M" 18.26/.719			MATING "M" 24.21/.953		
PCB "P" 4.37/.172			PCB "P" 4.37/.172			PCB "P" 3.89/.153			PCB "P" 3.02/.119		
GOLD "G" N/A			GOLD "G" N/A			GOLD "G" 7.11/.280			GOLD "G" N/A		
TIN "T" OVERALL			TIN "T" OVERALL			TIN "T" 4.06/.160			TIN "T" OVERALL		
PACKAGING PK-41661-001			PACKAGING PK-41661-001			PACKAGING PK-41661-001			PACKAGING PK-41661-001		
STATUS			STATUS			STATUS			STATUS		
A-41661-BNAE197-*			A-41661-BNC197-*			A-41661-BND241-*			A-41661-BNE197-*		
MATERIAL	ENGINEERING	VOIDS	MATERIAL	ENGINEERING	VOIDS	MATERIAL	ENGINEERING	VOIDS	MATERIAL	ENGINEERING	VOIDS
26-48-1020	-B2AE197		26-48-7021	-B2C197		26-48-5023	-B2D241		26-58-4020	-B2E197	
26-48-1030	-B3AE197		26-48-7031	-B3C197		41661-0093	-B3D241		26-58-4030	-B3E197	
26-48-1040	-B4AE197		26-48-7041	-B4C197		41661-0094	-B4D241		26-58-4040	-B4E197	
26-48-1050	-B5AE197		26-48-7051	-B5C197		41661-0095	-B5D241		26-58-4050	-B5E197	
26-48-1060	-B6AE197		26-48-7061	-B6C197		41661-0096	-B6D241		26-58-4060	-B6E197	
26-48-1070	-B7AE197		26-48-7071	-B7C197		41661-0097	-B7D241		26-58-4070	-B7E197	
26-48-1080	-B8AE197		26-48-7081	-B8C197		26-48-5083	-B8D241		26-58-4080	-B8E197	
26-48-1090	-B9AE197		26-48-7091	-B9C197		41661-0098	-B9D241		26-58-4090	-B9E197	
26-48-1100	-B10AE197		26-48-7101	-B10C197		41661-0099	-B10D241		26-58-4100	-B10E197	
26-48-1110	-B11AE197		26-48-7111	-B11C197		41661-0100	-B11D241		26-58-4110	-B11E197	
26-48-1120	-B12AE197		26-48-7121	-B12C197		26-48-5123	-B12D241		26-58-4120	-B12E197	
26-48-1130	-B13AE197		26-48-7131	-B13C197		41661-0101	-B13D241		26-58-4130	-B13E197	
26-48-1140	-B14AE197		26-48-7141	-B14C197		41661-0102	-B14D241		26-58-4140	-B14E197	
26-48-1150	-B15AE197		26-48-7151	-B15C197		41661-0103	-B15D241		26-58-4150	-B15E197	
26-48-1160	-B16AE197		26-48-7161	-B16C197		41661-0104	-B16D241		26-58-4160	-B16E197	
26-48-1170	-B17AE197		26-48-7171	-B17C197		41661-0105	-B17D241		26-58-4170	-B17E197	
26-48-1180	-B18AE197		26-48-7181	-B18C197		41661-0106	-B18D241		26-58-4180	-B18E197	
26-48-1190	-B19AE197		26-48-7191	-B19C197		41661-0107	-B19D241		26-58-4190	-B19E197	
26-48-1200	-B20AE197		26-48-7201	-B20C197		41661-0108	-B20D241		26-58-4200	-B20E197	
26-48-1210	-B21AE197		26-48-7211	-B21C197		41661-0109	-B21D241		26-58-4210	-B21E197	
26-48-1220	-B22AE197		26-48-7221	-B22C197		41661-0110	-B22D241		26-58-4220	-B22E197	
26-48-1230	-B23AE197		26-48-7231	-B23C197		41661-0111	-B23D241		26-58-4230	-B23E197	
26-48-1240	-B24AE197		26-48-7241	-B24C197		41661-0112	-B24D241		26-58-4240	-B24E197	

REV: BE	ECR/ECN INFORMATION: EC No.: UCP2012-0114 DATE: 10/31/2011	TITLE: KK 156 HEADER ASSEMBLY FLAT BREAKAWAY 2-24 CKTS	SHEET No. - 3 -
DOCUMENT NUMBER: SD- 41661 -001	CREATED / REVISED BY: MMSTROH	CHECKED BY: MKIPPER	APPROVED BY: FSMITH

PIN NUMBER	43294-0598	PIN NUMBER	43294-0662	PIN NUMBER	43294-0913	PIN NUMBER	43294-1003				
PIN LENGTH	28.70/1.130	PIN LENGTH	30.48/1.200	PIN LENGTH	37.34/1.470	PIN LENGTH	39.62/1.560				
PLATING	197	PLATING	241	PLATING	197	PLATING	197				
MATING "M"	21.08/ .830	MATING "M"	24.21/.953	MATING "M"	14.02/.552	MATING "M"	33.35/1.313				
PCB "P"	4.37/.172	PCB "P"	3.02/.119	PCB "P"	20.07/.790	PCB "P"	3.10/.122				
GOLD "G"	N/A	GOLD "G"	6.85/ .270	GOLD "G"	N/A	GOLD "G"	N/A				
TIN "T"	OVERALL	TIN "T"	5.08/ .200	TIN "T"	OVERALL	TIN "T"	OVERALL				
PACKAGING	PK-41661-001	PACKAGING	PK-41661-001	PACKAGING	PK-41661-001	PACKAGING	PK-41661-001				
STATUS		STATUS		STATUS		STATUS					
A-41661-BNF197-*			A-41661-BNE241-*			A-41661-BNH197-*			A-41661-BNL197-*		
MATERIAL	ENGINEERING	VOIDS	MATERIAL	ENGINEERING	VOIDS	MATERIAL	ENGINEERING	VOIDS	MATERIAL	ENGINEERING	VOIDS
26-48-4021	-B2F197		41661-0127	-B2E241		41661-0146	-B2H197		26-48-9021	-B2L197	
26-48-4031	-B3F197		41661-0128	-B3E241		41661-0147	-B3H197		26-48-9031	-B3L197	
26-48-4041	-B4F197		41661-0129	-B4E241		41661-0148	-B4H197		41661-0167	-B4L197	
41661-0113	-B5F197		41661-0130	-B5E241		41661-0149	-B5H197		26-48-9051	-B5L197	
26-48-4061	-B6F197		41661-0131	-B6E241		26-48-8061	-B6H197		26-48-9061	-B6L197	
41661-0114	-B7F197		41661-0132	-B7E241		41661-0150	-B7H197		26-48-9071	-B7L197	
26-48-4081	-B8F197		26-48-3081	-B8E241		41661-0151	-B8H197		41661-0168	-B8L197	
41661-0115	-B9F197		41661-0133	-B9E241		41661-0152	-B9H197		41661-0169	-B9L197	
26-48-4101	-B10F197		41661-0134	-B10E241		41661-0153	-B10H197		41661-0170	-B10L197	
26-48-4111	-B11F197		41661-0135	-B11E241		41661-0154	-B11H197		41661-0171	-B11L197	
41661-0116	-B12F197		26-48-3121	-B12E241		41661-0155	-B12H197		41661-0172	-B12L197	
41661-0117	-B13F197		26-48-3131	-B13E241		26-48-8131	-B13H197		41661-0173	-B13L197	
41661-0118	-B14F197		41661-0136	-B14E241		41661-0156	-B14H197		41661-0174	-B14L197	
26-48-4151	-B15F197		41661-0137	-B15E241		41661-0157	-B15H197		41661-0175	-B15L197	
41661-0119	-B16F197		41661-0138	-B16E241		41661-0158	-B16H197		41661-0176	-B16L197	
41661-0120	-B17F197		41661-0139	-B17E241		41661-0159	-B17H197		41661-0177	-B17L197	
41661-0121	-B18F197		41661-0140	-B18E241		41661-0160	-B18H197		41661-0178	-B18L197	
41661-0122	-B19F197		41661-0141	-B19E241		41661-0161	-B19H197		41661-0179	-B19L197	
41661-0123	-B20F197		41661-0142	-B20E241		41661-0162	-B20H197		41661-0180	-B20L197	
41661-0124	-B21F197		41661-0143	-B21E241		41661-0163	-B21H197		41661-0181	-B21L197	
41661-0125	-B22F197		41661-0144	-B22E241		41661-0164	-B22H197		41661-0182	-B22L197	
41661-0126	-B23F197		41661-0145	-B23E241		41661-0165	-B23H197		41661-0183	-B23L197	
26-48-4241	-B24F197		26-48-3241	-B24E241		41661-0166	-B24H197		26-48-9241	-B24L197	

REV: BE	ECR/ECN INFORMATION: EC No.: UCP2012-0114 DATE: 10/31/2011	TITLE: KK 156 HEADER ASSEMBLY FLAT BREAKAWAY 2-24 CKTS	SHEET No. - 4 -
DOCUMENT NUMBER: SD- 41661 -001	CREATED / REVISED BY: MMSTROH	CHECKED BY: MKIPPER	APPROVED BY: FSMITH

PIN NUMBER	43294-0661	PIN NUMBER	43294-1003	PIN NUMBER	43294-0661	PIN NUMBER	43294-0420				
PIN LENGTH	30.48/1.200	PIN LENGTH	39.62/1.560	PIN LENGTH	30.48/1.200	PIN LENGTH	23.88/.940				
PLATING	197	PLATING	197	PLATING	197	PLATING	241				
MATING "M"	22.61/.890	MATING "M"	32.56/1.282	MATING "M"	13.44/.531	MATING "M"	16.26/.640				
PCB "P"	4.62/.182	PCB "P"	3.81/.150	PCB "P"	13.74/.541	PCB "P"	4.37/.172				
GOLD "G"	N/A	GOLD "G"	N/A	GOLD "G"	N/A	GOLD "G"	8.89/.350				
TIN "T"	OVERALL	TIN "T"	OVERALL	TIN "T"	OVERALL	TIN "T"	4.06/.160				
PACKAGING	PK-41661-001	PACKAGING	PK-41661-001	PACKAGING	PK-41661-001	PACKAGING	PK-41661-001				
STATUS		STATUS		STATUS		STATUS					
A-41661-BNM197-*			A-41661-BNN197-*			A-41661-BNR197-*			41661-BNC241-*		
MATERIAL	ENGINEERING	VOIDS	MATERIAL	ENGINEERING	VOIDS	MATERIAL	ENGINEERING	VOIDS	MATERIAL	ENGINEERING	VOIDS
26-58-4022	-B2M197		41661-0200	-B2N197		26-48-4022	-B2R197		41661-0219	-B2C241	
41661-0184	-B3M197		41661-0201	-B3N197		26-48-4032	-B3R197		41661-0220	-B3C241	
26-58-4042	-B4M197		41661-0202	-B4N197		26-48-4042	-B4R197		41661-0221	-B4C241	
26-58-4052	-B5M197		41661-0203	-B5N197		26-48-4052	-B5R197		41661-0222	-B5C241	
41661-0186	-B6M197		26-58-0062	-B6N197		26-48-4062	-B6R197		26-48-5064	-B6C241	
26-58-4072	-B7M197		41661-0204	-B7N197		26-48-4072	-B7R197		41661-0223	-B7C241	
41661-0187	-B8M197		41661-0205	-B8N197		26-48-4082	-B8R197		41661-0224	-B8C241	
26-58-4092	-B9M197		26-58-0092	-B9N197		26-48-4092	-B9R197		41661-0225	-B9C241	
26-58-4102	-B10M197		26-58-0102	-B10N197		26-48-4102	-B10R197		26-48-5104	-B10C241	
41661-0188	-B11M197		41661-0206	-B11N197		26-48-4112	-B11R197		41661-0226	-B11C241	
26-58-4122	-B12M197		41661-0207	-B12N197		26-48-4122	-B12R197		41661-0227	-B12C241	
41661-0189	-B13M197		41661-0208	-B13N197		26-48-4132	-B13R197		41661-0228	-B13C241	
41661-0190	-B14M197		41661-0209	-B14N197		26-48-4142	-B14R197		41661-0229	-B14C241	
26-58-4152	-B15M197		41661-0210	-B15N197		26-48-4152	-B15R197		41661-0230	-B15C241	
26-58-4162	-B16M197		41661-0211	-B16N197		26-48-4162	-B16R197		41661-0231	-B16C241	
41661-0192	-B17M197		41661-0212	-B17N197		26-48-4172	-B17R197		41661-0232	-B17C241	
41661-0193	-B18M197		41661-0213	-B18N197		26-48-4182	-B18R197		41661-0233	-B18C241	
41661-0194	-B19M197		41661-0214	-B19N197		26-48-4192	-B19R197		41661-0234	-B19C241	
41661-0195	-B20M197		41661-0215	-B20N197		26-48-4202	-B20R197		41661-0235	-B20C241	
41661-0196	-B21M197		41661-0216	-B21N197		26-48-4212	-B21R197		41661-0236	-B21C241	
41661-0197	-B22M197		41661-0217	-B22N197		26-48-4222	-B22R197		41661-0237	-B22C241	
41661-0198	-B23M197		41661-0218	-B23N197		26-48-4232	-B23R197		41661-0238	-B23C241	
41661-0199	-B24M197		26-58-0242	-B24N197		26-48-4242	-B24R197		26-48-5244	-B24C241	
						26-50-4055	-B5R197-4	4			

REV: BE	ECR/ECN INFORMATION: EC No.: UCP2012-0114 DATE: 10/31/2011	TITLE: KK 156 HEADER ASSEMBLY FLAT BREAKAWAY 2-24 CKTS	SHEET No. - 5 -
DOCUMENT NUMBER: SD- 41661 -001	CREATED / REVISED BY: MMSTROH	CHECKED BY: MKIPPER	APPROVED BY: FSMITH

PIN NUMBER	43294-0706	PIN NUMBER	43294-0500	PIN NUMBER	43294-0706	PIN NUMBER	43294-0949				
PIN LENGTH	31.75/1.250	PIN LENGTH	26.16/1.030	PIN LENGTH	31.75/1.250	PIN LENGTH	38.10/1.500				
PLATING	197	PLATING	197	PLATING	197	PLATING	197				
MATING "M"	25.70/1.012	MATING "M"	19.43/.765	MATING "M"	18.34/.722	MATING "M"	31.80/1.252				
PCB "P"	2.79/.110	PCB "P"	3.56/.140	PCB "P"	10.16/.400	PCB "P"	3.05/.120				
GOLD "G"	N/A	GOLD "G"	N/A	GOLD "G"	N/A	GOLD "G"	N/A				
TIN "T"	OVERALL	TIN "T"	OVERALL	TIN "T"	OVERALL	TIN "T"	OVERALL				
PACKAGING	PK-41661-001	PACKAGING	PK-41661-001	PACKAGING	PK-41661-001	PACKAGING	PK-41661-001				
STATUS		STATUS		STATUS		STATUS					
A-41661-BNW197-*			A-41661-BNY197-*			A-41661-BNZ197-*			A-41661-BNAA197-*		
MATERIAL	ENGINEERING	VOIDS	MATERIAL	ENGINEERING	VOIDS	MATERIAL	ENGINEERING	VOIDS	MATERIAL	ENGINEERING	VOIDS
41661-0239	-B2W197		41661-0259	-B2Y197		41661-0274	-B2Z197		41661-0294	-B2AA197	
41661-0240	-B3W197		26-58-0030	-B3Y197		41661-0275	-B3Z197		41661-0295	-B3AA197	
26-58-0045	-B4W197		26-58-0040	-B4Y197		41661-0276	-B4Z197		41661-0296	-B4AA197	
41661-0241	-B5W197		41661-0260	-B5Y197		41661-0277	-B5Z197		41661-0297	-B5AA197	
41661-0242	-B6W197		26-58-0060	-B6Y197		26-58-0061	-B6Z197		41661-0298	-B6AA197	
41661-0243	-B7W197		26-58-0070	-B7Y197		41661-0278	-B7Z197		41661-0299	-B7AA197	
41661-0244	-B8W197		41661-0261	-B8Y197		41661-0279	-B8Z197		26-58-0083	-B8AA197	
41661-0245	-B9W197		26-58-0090	-B9Y197		41661-0280	-B9Z197		41661-0300	-B9AA197	
26-58-0105	-B10W197		26-58-0100	-B10Y197		41661-0281	-B10Z197		41661-0301	-B10AA197	
41661-0246	-B11W197		26-58-0110	-B11Y197		41661-0282	-B11Z197		41661-0302	-B11AA197	
41661-0247	-B12W197		41661-0262	-B12Y197		26-58-0121	-B12Z197		41661-0303	-B12AA197	
41661-0248	-B13W197		41661-0263	-B13Y197		41661-0283	-B13Z197		41661-0304	-B13AA197	
41661-0249	-B14W197		41661-0264	-B14Y197		41661-0284	-B14Z197		41661-0305	-B14AA197	
41661-0250	-B15W197		41661-0265	-B15Y197		41661-0285	-B15Z197		41661-0306	-B15AA197	
41661-0251	-B16W197		41661-0266	-B16Y197		41661-0286	-B16Z197		41661-0307	-B16AA197	
41661-0252	-B17W197		41661-0267	-B17Y197		41661-0287	-B17Z197		26-58-0173	-B17AA197	
41661-0253	-B18W197		41661-0268	-B18Y197		41661-0288	-B18Z197		41661-0308	-B18AA197	
41661-0254	-B19W197		41661-0269	-B19Y197		41661-0289	-B19Z197		41661-0309	-B19AA197	
41661-0255	-B20W197		41661-0270	-B20Y197		41661-0290	-B20Z197		41661-0310	-B20AA197	
41661-0256	-B21W197		41661-0271	-B21Y197		41661-0291	-B21Z197		41661-0311	-B21AA197	
41661-0257	-B22W197		41661-0272	-B22Y197		41661-0292	-B22Z197		41661-0312	-B22AA197	
41661-0258	-B23W197		41661-0273	-B23Y197		41661-0293	-B23Z197		41661-0313	-B23AA197	
26-58-0245	-B24W197		26-58-0240	-B24Y197		26-58-0241	-B24Z197		41661-0314	-B24AA197	

REV: BE	ECR/ECN INFORMATION: EC No.: UCP2012-0114 DATE: 10/31/2011	TITLE: KK 156 HEADER ASSEMBLY FLAT BREAKAWAY 2-24 CKTS	SHEET No. - 6 -
DOCUMENT NUMBER: SD- 41661 -001	CREATED / REVISED BY: MMSTROH	CHECKED BY: MKIPPER	APPROVED BY: FSMITH

PIN NUMBER	43294-0301	PIN NUMBER	43294-0303	PIN NUMBER	43294-1174	PIN NUMBER	43294-0596				
PIN LENGTH	20.83/.820	PIN LENGTH	20.83/.820	PIN LENGTH	48.26/1.900	PIN LENGTH	28.70/1.130				
PLATING	197	PLATING	241	PLATING	197	PLATING	241				
MATING "M"	13.21/.520	MATING "M"	12.70/.500	MATING "M"	43.18/1.700	MATING "M"	22.66/.892 REF				
PCB "P"	4.37/.172	PCB "P"	4.37/.172	PCB "P"	1.83/.072	PCB "P"	2.79+-.51/.110+-.020				
GOLD "G"	N/A	GOLD "G"	6.85/.270	GOLD "G"	N/A	GOLD "G"	6.85/.270				
TIN "T"	OVERALL	TIN "T"	6.35/.250	TIN "T"	OVERALL	TIN "T"	5.08/.200				
PACKAGING	PK-41661-001	PACKAGING	PK-41661-001	PACKAGING	PK-41661-001	PACKAGING	PK-41661-001				
STATUS		STATUS		STATUS		STATUS					
A-41661-BNB197-*			A-41661-BNB241-*			A-41661-BNAW197-*			A-41661-BNV241-*		
MATERIAL	ENGINEERING	VOIDS	MATERIAL	ENGINEERING	VOIDS	MATERIAL	ENGINEERING	VOIDS	MATERIAL	ENGINEERING	VOIDS
26-48-6021	-B2B197		26-48-5021	-B2B241		26-58-5024	-B2AW197		41661-0315	-B2V241	
26-48-6031	-B3B197		26-48-5031	-B3B241		26-58-5034	-B3AW197		41661-0316	-B3V241	
26-48-6041	-B4B197		26-48-5041	-B4B241		26-58-5044	-B4AW197		41661-0317	-B4V241	
26-48-6051	-B5B197		26-48-5051	-B5B241		26-58-5054	-B5AW197		41661-0318	-B5V241	
26-48-6061	-B6B197		26-48-5061	-B6B241		26-58-5064	-B6AW197		26-48-5068	-B6V241	
26-48-6071	-B7B197		26-48-5071	-B7B241		26-58-5074	-B7AW197		41661-0319	-B7V241	
26-48-6081	-B8B197		26-48-5081	-B8B241		26-58-5084	-B8AW197		26-48-5088	-B8V241	
26-48-6091	-B9B197		26-48-5091	-B9B241		26-58-5094	-B9AW197		41661-0320	-B9V241	
26-48-6101	-B10B197		26-48-5101	-B10B241		26-58-5104	-B10AW197		41661-0321	-B10V241	
26-48-6111	-B11B197		26-48-5111	-B11B241		26-58-5114	-B11AW197		41661-0322	-B11V241	
26-48-6121	-B12B197		26-48-5121	-B12B241		26-58-5124	-B12AW197		41661-0323	-B12V241	
26-48-6131	-B13B197		26-48-5131	-B13B241		26-58-5134	-B13AW197		41661-0324	-B13V241	
26-48-6141	-B14B197		26-48-5141	-B14B241		26-58-5144	-B14AW197		41661-0325	-B14V241	
26-48-6151	-B15B197		26-48-5151	-B15B241		26-58-5154	-B15AW197		41661-0326	-B15V241	
26-48-6161	-B16B197		26-48-5161	-B16B241		26-58-5164	-B16AW197		41661-0327	-B16V241	
26-48-6171	-B17B197		26-48-5171	-B17B241		26-58-5174	-B17AW197		41661-0328	-B17V241	
26-48-6181	-B18B197		26-48-5181	-B18B241		26-58-5184	-B18AW197		41661-0329	-B18V241	
26-48-6191	-B19B197		26-48-5191	-B19B241		26-58-5194	-B19AW197		41661-0330	-B19V241	
26-48-6201	-B20B197		26-48-5201	-B20B241		26-58-5204	-B20AW197		41661-0331	-B20V241	
26-48-6211	-B21B197		26-48-5211	-B21B241		26-58-5214	-B21AW197		41661-0332	-B21V241	
26-48-6221	-B22B197		26-48-5221	-B22B241		26-58-5224	-B22AW197		41661-0333	-B22V241	
26-48-6231	-B23B197		26-48-5231	-B23B241		26-58-5234	-B23AW197		41661-0334	-B23V241	
26-48-6241	-B24B197		26-48-5241	-B24B241		26-58-5244	-B24AW197		41661-0335	-B24V241	

REV: BE	ECR/ECN INFORMATION: EC No.: UCP2012-0114 DATE: 10/31/2011	TITLE: KK 156 HEADER ASSEMBLY FLAT BREAKAWAY 2-24 CKTS	SHEET No. - 7 -
DOCUMENT NUMBER: SD- 41661 -001	CREATED / REVISED BY: MMSTROH	CHECKED BY: MKIPPER	APPROVED BY: FSMITH

PIN NUMBER	43294-0830	PIN NUMBER	43294-0473	PIN NUMBER	43294-0598	PIN NUMBER	43294-0121				
PIN LENGTH	35.05/1.380	PIN LENGTH	25.40/1.000	PIN LENGTH	28.70/1.130	PIN LENGTH	16.00/.630				
PLATING	241	PLATING	197	PLATING	197	PLATING	197				
MATING "M"	27.31/1.075	MATING "M"	18.26/.719	MATING "M"	22.28/.877	MATING "M"	8.94/.352				
PCB "P"	4.50/.177	PCB "P"	3.89/.153	PCB "P"	3.18/.125	PCB "P"	3.81/.150				
GOLD "G"	6.85/.270	GOLD "G"	N/A	GOLD "G"	N/A	GOLD "G"	N/A				
TIN "T"	5.08/.200	TIN "T"	OVERALL	TIN "T"	OVERALL	TIN "T"	OVERALL				
PACKAGING	PK-41661-001	PACKAGING	PK-41661-001	PACKAGING	PK-41661-001	PACKAGING	PK-41661-001				
STATUS		STATUS		STATUS		STATUS					
A-41661-BNAN241-*			A-41661-BND197-*			A-41661-BNBA197-*			A-41661-BNBC197-*		
MATERIAL	ENGINEERING	VOIDS	MATERIAL	ENGINEERING	VOIDS	MATERIAL	ENGINEERING	VOIDS	MATERIAL	ENGINEERING	VOIDS
26-58-4026	-B2AN241		41661-0336	-B2D197		26-48-4025	-B2BA197		26-48-3023	-B2BC197	
26-58-4036	-B3AN241		41661-0337	-B3D197		26-48-4035	-B3BA197		26-48-3033	-B3BC197	
26-58-4046	-B4AN241		41661-0338	-B4D197		26-48-4045	-B4BA197		26-48-3043	-B4BC197	
26-58-4056	-B5AN241		26-48-9052	-B5D197		26-48-4055	-B5BA197		26-48-3053	-B5BC197	
26-58-4066	-B6AN241		41661-0339	-B6D197		26-48-4065	-B6BA197		26-48-3063	-B6BC197	
26-58-4076	-B7AN241		41661-0340	-B7D197		26-48-4075	-B7BA197		26-48-3073	-B7BC197	
26-58-4086	-B8AN241		26-48-9082	-B8D197		26-48-4085	-B8BA197		26-48-3083	-B8BC197	
26-58-4096	-B9AN241		41661-0341	-B9D197		26-48-4095	-B9BA197		26-48-3093	-B9BC197	
26-58-4106	-B10AN241		41661-0342	-B10D197		26-48-4105	-B10BA197		26-48-3103	-B10BC197	
26-58-4116	-B11AN241		41661-0343	-B11D197		26-48-4115	-B11BA197		26-48-3113	-B11BC197	
26-58-4126	-B12AN241		41661-0344	-B12D197		26-48-4125	-B12BA197		26-48-3123	-B12BC197	
26-58-4136	-B13AN241		41661-0345	-B13D197		26-48-4135	-B13BA197		26-48-3133	-B13BC197	
26-58-4146	-B14AN241		41661-0346	-B14D197		26-48-4145	-B14BA197		26-48-3143	-B14BC197	
26-58-4156	-B15AN241		41661-0347	-B15D197		26-48-4155	-B15BA197		26-48-3153	-B15BC197	
26-58-4166	-B16AN241		41661-0348	-B16D197		26-48-4165	-B16BA197		26-48-3163	-B16BC197	
26-58-4176	-B17AN241		41661-0349	-B17D197		26-48-4175	-B17BA197		26-48-3173	-B17BC197	
26-58-4186	-B18AN241		41661-0350	-B18D197		26-48-4185	-B18BA197		26-48-3183	-B18BC197	
26-58-4196	-B19AN241		41661-0351	-B19D197		26-48-4195	-B19BA197		26-48-3193	-B19BC197	
26-58-4206	-B20AN241		41661-0352	-B20D197		26-48-4205	-B20BA197		26-48-3203	-B20BC197	
26-58-4216	-B21AN241		41661-0353	-B21D197		26-48-4215	-B21BA197		26-48-3213	-B21BC197	
26-58-4226	-B22AN241		41661-0354	-B22D197		26-48-4225	-B22BA197		26-48-3223	-B22BC197	
26-58-4236	-B23AN241		41661-0355	-B23D197		26-48-4235	-B23BA197		26-48-3233	-B23BC197	
26-58-4246	-B24AN241		26-48-9242	-B24D197		26-48-4245	-B24BA197		26-48-3243	-B24BC197	

REV: BE	ECR/ECN INFORMATION: EC No.: UCP2012-0114 DATE: 10/31/2011	TITLE: KK 156 HEADER ASSEMBLY FLAT BREAKAWAY 2-24 CKTS	SHEET No. - 8 -
DOCUMENT NUMBER: SD- 41661 -001	CREATED / REVISED BY: MMSTROH	CHECKED BY: MKIPPER	APPROVED BY: FSMITH

PIN NUMBER	43294-0365	PIN NUMBER	43294-0241	PIN NUMBER	CONTINUED	PIN NUMBER	43294-0572				
PIN LENGTH	22.61/.890	PIN LENGTH	19.05/.750	PIN LENGTH		PIN LENGTH	27.94/1.100				
PLATING	241	PLATING	241	PLATING	FROM	PLATING	197				
MATING "M"	14.99/.590	MATING "M"	11.43/.450	MATING "M"		MATING "M"	12.34/.486				
PCB "P"	4.37/.172	PCB "P"	4.37/.172	PCB "P"	LAST	PCB "P"	12.34/.486				
GOLD "G"	10.54/.415	GOLD "G"	6.86/.270	GOLD "G"		GOLD "G"	N/A				
TIN "T"	4.06/.160	TIN "T"	4.06/.160	TIN "T"	COLUMN	TIN "T"	OVERALL				
PACKAGING	PK-41661-001	PACKAGING	PK-41661-001	PACKAGING		PACKAGING	PK-41661-001				
STATUS		STATUS		STATUS		STATUS					
A-41661-BNAE241-*			A-41661-BNA241-*			A-41661-BNA241-*			A-41661-BNCC197-*		
MATERIAL	ENGINEERING	VOIDS	MATERIAL	ENGINEERING	VOIDS	MATERIAL	ENGINEERING	VOIDS	MATERIAL	ENGINEERING	VOIDS
26-48-2020	-B2AE241		26-48-2021	-B2A241		26-49-7171	-B17A241-51	2,4,6,8,10,12,14,16	41661-0380	-B2CC197	
26-48-2030	-B3AE241		26-48-2031	-B3A241					41661-0381	-B3CC197	
26-48-2040	-B4AE241		26-48-2041	-B4A241					41661-0382	-B4CC197	
26-48-2050	-B5AE241		26-48-2051	-B5A241					41661-0383	-B5CC197	
26-48-2060	-B6AE241		26-48-2061	-B6A241					41661-0384	-B6CC197	
26-48-2070	-B7AE241		26-48-2071	-B7A241					41661-0385	-B7CC197	
26-48-2080	-B8AE241		26-48-2081	-B8A241					41661-0386	-B8CC197	
26-48-2090	-B9AE241		26-48-2091	-B9A241					41661-0387	-B9CC197	
26-48-2100	-B10AE241		26-48-2101	-B10A241					41661-0388	-B10CC197	
26-48-2110	-B11AE241		26-48-2111	-B11A241					41661-0389	-B11CC197	
26-48-2120	-B12AE241		26-48-2121	-B12A241					41661-0390	-B12CC197	
26-48-2130	-B13AE241		26-48-2131	-B13A241					41661-0391	-B13CC197	
26-48-2140	-B14AE241		26-48-2141	-B14A241					41661-0392	-B14CC197	
26-48-2150	-B15AE241		26-48-2151	-B15A241					41661-0393	-B15CC197	
26-48-2160	-B16AE241		26-48-2161	-B16A241					41661-0394	-B16CC197	
26-48-2170	-B17AE241		26-48-2171	-B17A241					41661-0395	-B17CC197	
26-48-2180	-B18AE241		26-48-2181	-B18A241					41661-0396	-B18CC197	
26-48-2190	-B19AE241		26-48-2191	-B19A241					41661-0397	-B19CC197	
26-48-2200	-B20AE241		26-48-2201	-B20A241					41661-0398	-B20CC197	
26-48-2210	-B21AE241		26-48-2211	-B21A241					41661-0399	-B21CC197	
26-48-2220	-B22AE241		26-48-2221	-B22A241					41661-0400	-B22CC197	
26-48-2230	-B23AE241		26-48-2231	-B23A241					41661-0401	-B23CC197	
26-48-2240	-B24AE241		26-48-2241	-B24A241					41661-0402	-B24CC197	

REV:	ECR/ECN INFORMATION:	TITLE:	KK 156 HEADER ASSEMBLY FLAT BREAKAWAY 2-24 CKTS				SHEET No.
BE	EC No.: UCP2012-0114						- 9 -
	DATE: 10/31/2011						
DOCUMENT NUMBER:		CREATED / REVISED BY:	CHECKED BY:	APPROVED BY:			
SD- 41661 -001		MMSTROH	MKIPPER	FSMITH			

PIN NUMBER	43294-0362	PIN NUMBER	43294-0363	PIN NUMBER	43294-0587	PIN NUMBER	43294-0317				
PIN LENGTH	22.61/.890	PIN LENGTH	22.61/.890	PIN LENGTH	28.45/1.120	PIN LENGTH	21.34/.840				
PLATING	208	PLATING	228	PLATING	208	PLATING	208				
MATING "M"	15.09/.594	MATING "M"	15.09/.594	MATING "M"	22.15/.872	MATING "M"	13.97/.550				
PCB "P"	4.27/.168	PCB "P"	4.27/.168	PCB "P"	3.05/.120	PCB "P"	4.11/.162				
GOLD "G"	10.54/.415	GOLD "G"	10.54/.415	GOLD "G"	6.86/.270	GOLD "G"	8.89/.350				
TIN "T"	4.06/.160	TIN "T"	4.06/.160	TIN "T"	5.08/.200	TIN "T"	5.08/.200				
PACKAGING	PK-41661-001	PACKAGING	PK-41661-001	PACKAGING	PK-41661-001	PACKAGING	PK-41661-001				
STATUS		STATUS		STATUS		STATUS					
A-41661-BNCA208-*			A-41661-BNCA228-*			A-41661-BNCD208-*			A-41661-BNCE208-*		
MATERIAL	ENGINEERING	VOIDS	MATERIAL	ENGINEERING	VOIDS	MATERIAL	ENGINEERING	VOIDS	MATERIAL	ENGINEERING	VOIDS
41661-0047	-B2CA208		41661-0070	-B2CA228		41661-0403	-B2CD208		41661-0426	-B2CE208	
41661-0048	-B3CA208		41661-0071	-B3CA228		41661-0404	-B3CD208		41661-0427	-B3CE208	
41661-0049	-B4CA208		41661-0072	-B4CA228		41661-0405	-B4CD208		41661-0428	-B4CE208	
41661-0050	-B5CA208		41661-0073	-B5CA228		41661-0406	-B5CD208		41661-0429	-B5CE208	
41661-0051	-B6CA208		41661-0074	-B6CA228		41661-0407	-B6CD208		41661-0430	-B6CE208	
41661-0052	-B7CA208		41661-0075	-B7CA228		41661-0408	-B7CD208		41661-0431	-B7CE208	
41661-0053	-B8CA208		41661-0076	-B8CA228		41661-0409	-B8CD208		41661-0432	-B8CE208	
41661-0054	-B9CA208		41661-0077	-B9CA228		41661-0410	-B9CD208		41661-0433	-B9CE208	
41661-0055	-B10CA208		41661-0078	-B10CA228		41661-0411	-B10CD208		41661-0434	-B10CE208	
41661-0056	-B11CA208		41661-0079	-B11CA228		41661-0412	-B11CD208		41661-0435	-B11CE208	
41661-0057	-B12CA208		41661-0080	-B12CA228		41661-0413	-B12CD208		41661-0436	-B12CE208	
41661-0058	-B13CA208		41661-0081	-B13CA228		41661-0414	-B13CD208		41661-0437	-B13CE208	
41661-0059	-B14CA208		41661-0082	-B14CA228		41661-0415	-B14CD208		41661-0438	-B14CE208	
41661-0060	-B15CA208		41661-0083	-B15CA228		41661-0416	-B15CD208		41661-0439	-B15CE208	
41661-0061	-B16CA208		41661-0084	-B16CA228		41661-0417	-B16CD208		41661-0440	-B16CE208	
41661-0062	-B17CA208		41661-0085	-B17CA228		41661-0418	-B17CD208		41661-0441	-B17CE208	
41661-0063	-B18CA208		41661-0086	-B18CA228		41661-0419	-B18CD208		41661-0442	-B18CE208	
41661-0064	-B19CA208		41661-0087	-B19CA228		41661-0420	-B19CD208		41661-0443	-B19CE208	
41661-0065	-B20CA208		41661-0088	-B20CA228		41661-0421	-B20CD208		41661-0444	-B20CE208	
41661-0066	-B21CA208		41661-0089	-B21CA228		41661-0422	-B21CD208		41661-0445	-B21CE208	
41661-0067	-B22CA208		41661-0090	-B22CA228		41661-0423	-B22CD208		41661-0446	-B22CE208	
41661-0068	-B23CA208		41661-0091	-B23CA228		41661-0424	-B23CD208		41661-0447	-B23CE208	
41661-0069	-B24CA208		41661-0092	-B24CA228		41661-0425	-B24CD208		41661-0448	-B24CE208	

REV: BE	ECR/ECN INFORMATION: EC No.: UCP2012-0114 DATE: 10/31/2011	TITLE: KK 156 HEADER ASSEMBLY FLAT BREAKAWAY 2-24 CKTS	SHEET No. - 10 -
DOCUMENT NUMBER: SD- 41661 -001	CREATED / REVISED BY: MMSTROH	CHECKED BY: MKIPPER	APPROVED BY: FSMITH

PIN NUMBER			PIN NUMBER 43294-0175			PIN NUMBER 43294-0419			PIN NUMBER 43294-0500		
PIN LENGTH			PIN LENGTH 17.53 / .690			PIN LENGTH 23.88 / .940			PIN LENGTH 26.16 / 1.030		
PLATING			PLATING 197			PLATING 197			PLATING 197		
MATING "M"			MATING "M" 9.70 / .382			MATING "M" 17.09 / .673			MATING "M" 11.43 / .450		
PCB "P"			PCB "P" 4.57 / .180			PCB "P" 3.53 / .139			PCB "P" 11.48 / .452		
GOLD "G"			GOLD "G" NA			GOLD "G" NA			GOLD "G" N/A		
TIN "T"			TIN "T" OVERALL			TIN "T" OVERALL			TIN "T" OVERALL		
PACKAGING			PACKAGING PK-41661-001			PACKAGING PK-41661-001			PACKAGING PK-41661-001		
STATUS			STATUS			STATUS			STATUS		
			A-41661-BNCG197-*			A-41661-BNCH197-*			A-41661-BNCL197-*		
MATERIAL	ENGINEERING	VOIDS	MATERIAL	ENGINEERING	VOIDS	MATERIAL	ENGINEERING	VOIDS	MATERIAL	ENGINEERING	VOIDS
			41661-0472	-B02CG197							
			41661-0473	-B03CG197							
			41661-0474	-B04CG197		41661-0497	B04CH197				
			41661-0475	-B05CG197							
			41661-0476	-B06CG197					41661-0522	-B06CL197	
			41661-0477	-B07CG197							
			41661-0478	-B08CG197							
			41661-0479	-B09CG197					41661-0525	-B09CL197	
			41661-0480	-B10CG197							
			41661-0481	-B11CG197							
			41661-0482	-B12CG197							
			41661-0483	-B13CG197							
			41661-0484	-B14CG197							
			41661-0485	-B15CG197							
			41661-0486	-B16CG197							
			41661-0487	-B17CG197							
			41661-0488	-B18CG197							
			41661-0489	-B19CG197							
			41661-0490	-B20CG197							
			41661-0491	-B21CG197							
			41661-0492	-B22CG197							
			41661-0493	-B23CG197							
			41661-0494	-B24CG197							

REV: BE	<u>ECR/ECN INFORMATION:</u> EC No.: UCP2012-0114	<u>TITLE:</u> KK 156 HEADER ASSEMBLY FLAT BREAKAWAY 2-24 CKTS	<u>SHEET No.</u> - 11 -	
	<u>DATE:</u> 10/31/2011			
<u>DOCUMENT NUMBER:</u> SD- 41661 -001		<u>CREATED / REVISED BY:</u> MMSTROH	<u>CHECKED BY:</u> MKIPPER	<u>APPROVED BY:</u> FSMITH

PIN NUMBER	43294-0236	PIN NUMBER	43294-0614	PIN NUMBER	43294-0832	PIN NUMBER	43294-0643				
PIN LENGTH	19.05 / .750	PIN LENGTH	29.21 / 1.150	PIN LENGTH	35.05 / 1.380	PIN LENGTH	29.97 / 1.180				
PLATING	208	PLATING	208	PLATING	197	PLATING	197				
MATING "M"	12.93 / .509	MATING "M"	21.21 / .835	MATING "M"	27.43 / 1.080	MATING "M"	24.51 / .965				
PCB "P"	2.87 / .113	PCB "P"	4.75 / .187	PCB "P"	4.37 / .172	PCB "P"	2.21 / .087				
GOLD "G"	6.86 / .270	GOLD "G"	6.86 / .270	GOLD "G"	N/A	GOLD "G"	N/A				
TIN "T"	4.06 / .160	TIN "T"	5.08 / .200	TIN "T"	OVERALL	TIN "T"	OVERALL				
PACKAGING	PK-41661-001	PACKAGING	PK-41661-001	PACKAGING	PK-41661-001	PACKAGING	PK-41661-001				
STATUS		STATUS		STATUS		STATUS					
A-41661-BNB208-*			A-41661-BND208-*			A-41661-BNCM197-*			A-41661-BNCN197-*		
MATERIAL	ENGINEERING	VOIDS	MATERIAL	ENGINEERING	VOIDS	MATERIAL	ENGINEERING	VOIDS	MATERIAL	ENGINEERING	VOIDS
	-B02B208			-B02D208							
	-B03B208			-B03D208							
	-B04B208		41661-0566	-B04D208							
	-B05B208			-B05D208							
	-B06B208			-B06D208							
	-B07B208			-B07D208							
	-B08B208			-B08D208							
	-B09B208			-B09D208							
41661-0549	-B10B208			-B10D208					41661-0621	-B10CN197	
	-B11B208			-B11D208							
41661-0551	-B12B208			-B12D208		41661-0600	-B12CM197				
	-B13B208			-B13D208							
	-B14B208			-B14D208							
	-B15B208			-B15D208							
	-B16B208			-B16D208							
	-B17B208			-B17D208							
	-B18B208			-B18D208							
	-B19B208			-B19D208							
	-B20B208			-B20D208							
	-B21B208			-B21D208							
	-B22B208			-B22D208							
	-B23B208			-B23D208							
	-B24B208			-B24D208							

REV:	ECR/ECN INFORMATION:	TITLE:	KK 156 HEADER ASSEMBLY FLAT BREAKAWAY 2-24 CKTS				SHEET No.
BE	EC No.: UCP2012-0114						- 12 -
	DATE: 10/31/2011						
DOCUMENT NUMBER:		CREATED / REVISED BY:	CHECKED BY:	APPROVED BY:			
SD- 41661 -001		MMSTROH	MKIPPER	FSMITH			

