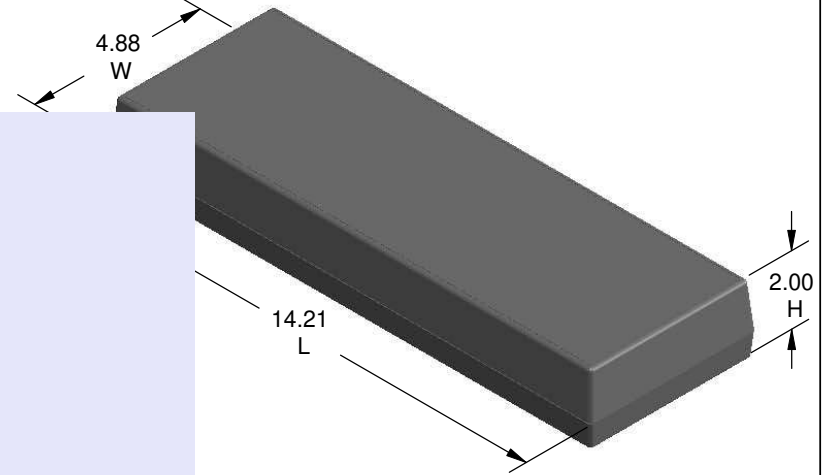
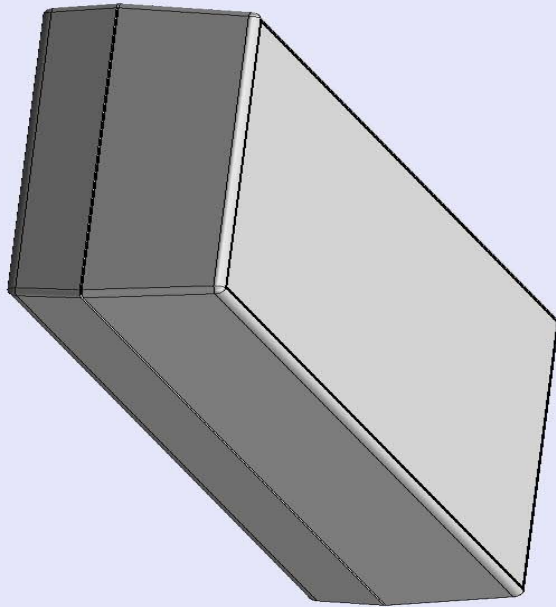


# SERPAC182 (exploded isometric)

Electronic Enclosures

- Click on image to show toolbar. Use ▶|| to Play/Pause Animation.
- Left click and drag on image to move 3D model.



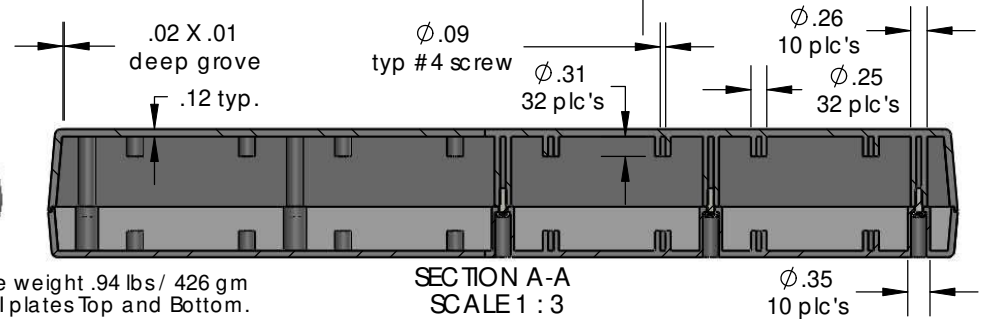
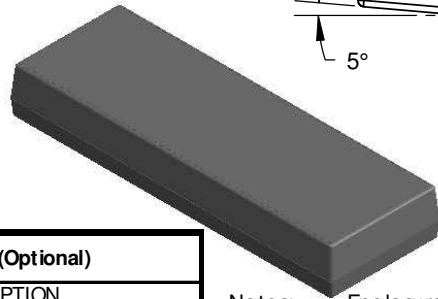
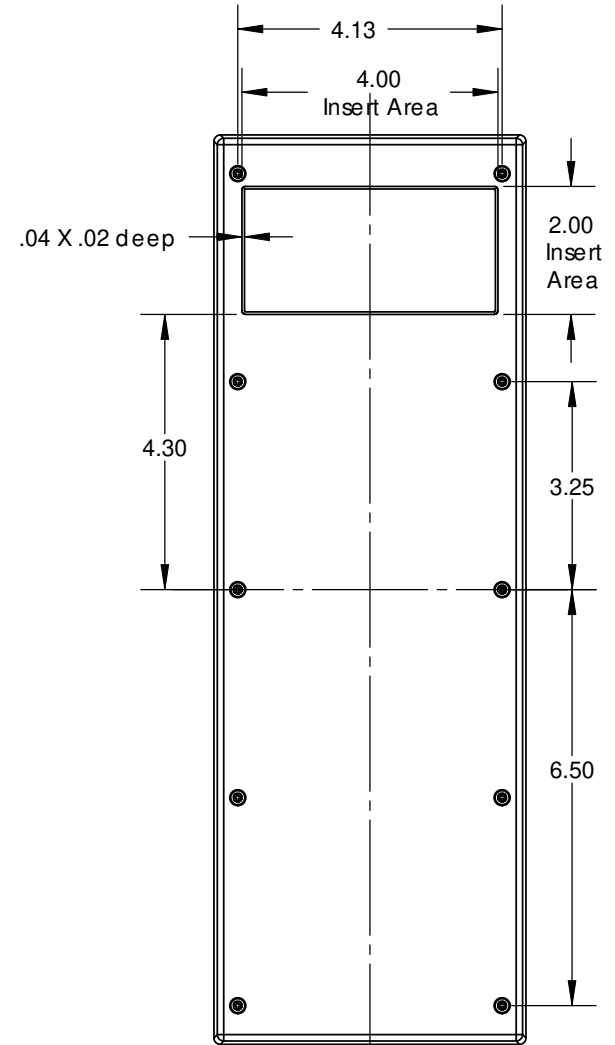
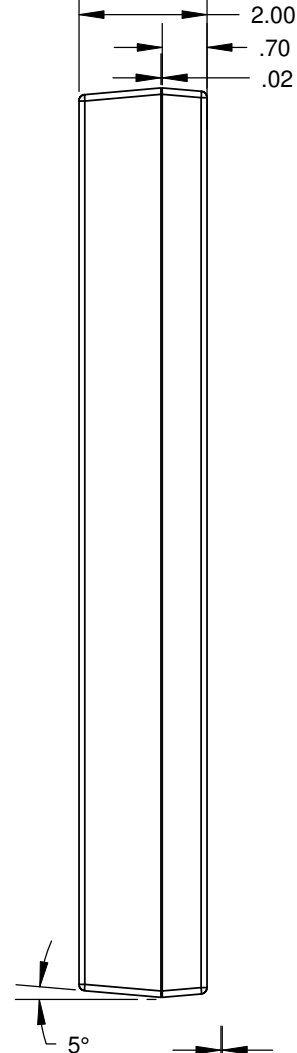
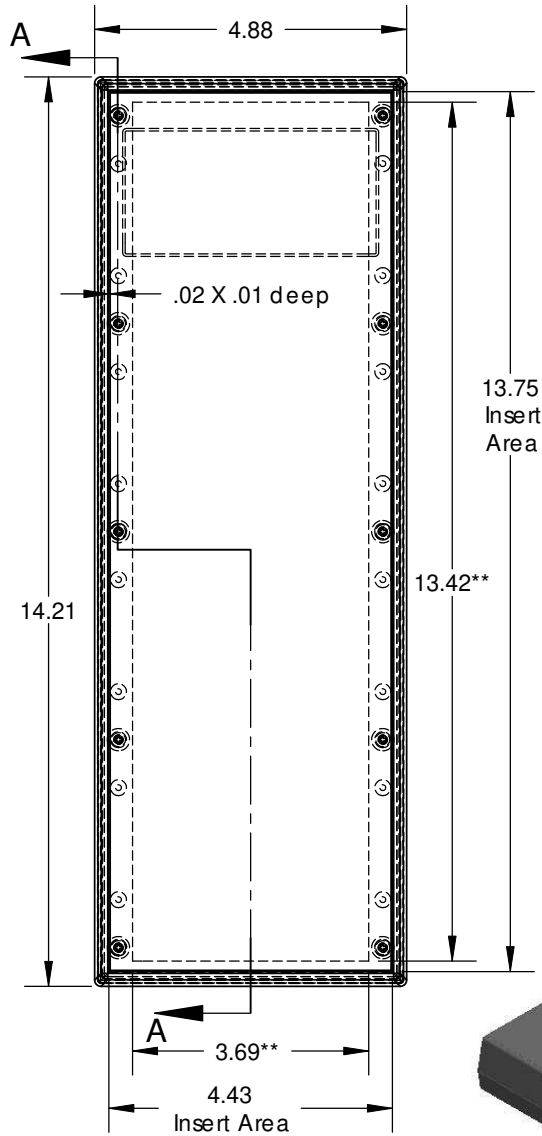
- a) Zoom in & out with center wheel.
- b) Pause at any moment to view and or print views.
- c) Change the views to ortho and section views if needed from the Views pull down menu.
- d) Explore options included in the tool bar like: Views, Transparency of model, Lighting type, etc.

Notes: Enclosure weight .94 lbs/ 426 gm  
 \*\* Indicates internal I plates Top and Bottom.  
 1) Enclosure meets or exceeds IP40 and NEMA 1  
 2) Circuit Board drawings can be download at:  
[http://www.serpac.com/Products/Series/x9x/drawings/18X\\_CB.pdf](http://www.serpac.com/Products/Series/x9x/drawings/18X_CB.pdf)  
 3) All components are RoHS Compliant.

PART NO.	DESCRIPTION (Included)	ACCESSORIES (Optional)	
8-2	TOP	PART NO.	DESCRIPTION
18	BOTTOM	50	Non-skid Feet
6005	#4X3/8" Self tapping (10)		

# SERPAC 182 (user print)

Electronic Enclosures



PART NO.	DESCRIPTION (Included)	ACCESSORIES (Optional)	
8-2	TOP	PART NO.	DESCRIPTION
18	BOTTOM	50	Non-skid Feet
6005	#4X3/8" Self tapping (10)		

Notes: Enclosure weight .94 lbs/ 426 gm  
 \*\* Indicates internal plates Top and Bottom.  
 1) Enclosure meets or exceeds IP40 and NEMA 1  
 2) Circuit Board drawings can be download at:  
[http://www.serpac.com/Products/Series/x9x/drawings/18X\\_CB.pdf](http://www.serpac.com/Products/Series/x9x/drawings/18X_CB.pdf)  
 3) All components are RoHS Compliant.

SECTION A-A  
SCALE 1 : 3