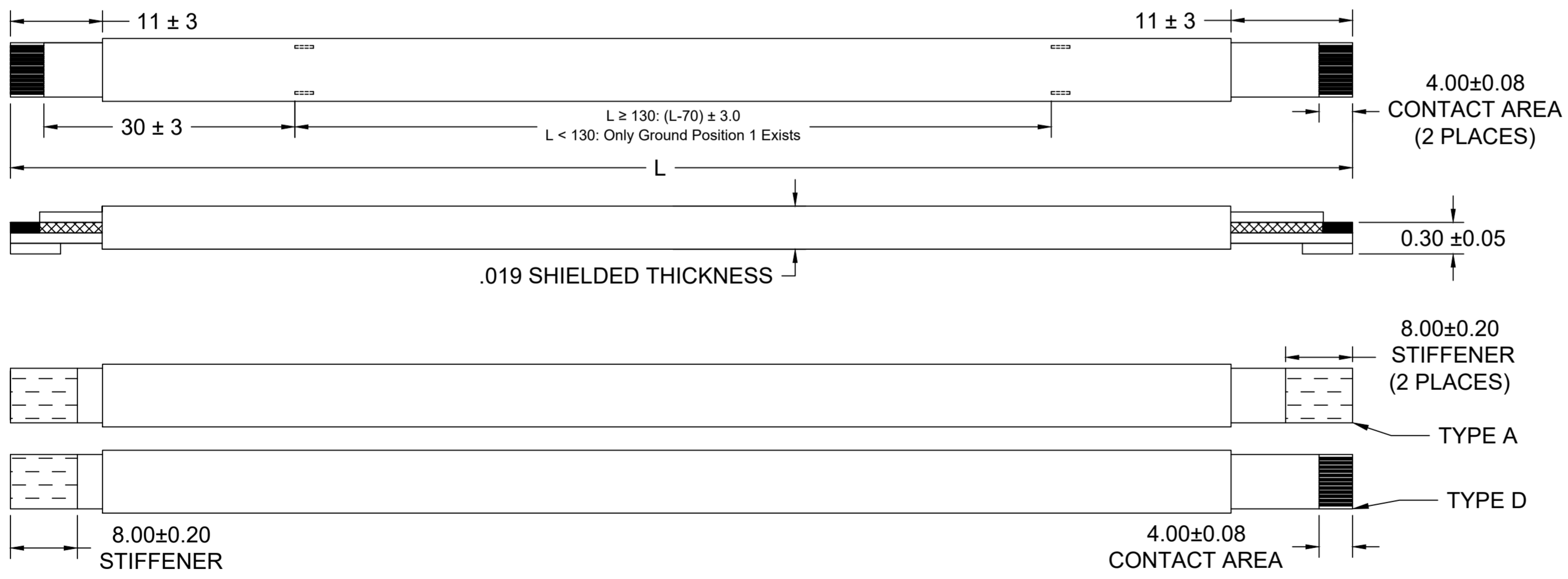


0.50mm PITCH FLAT FLEXIBLE CABLE (SHIELDED, 105°C, Sn PLATING)

"L" DIM. →	51 ± 2 MM		76 ± 3 MM		102 ± 3 MM		127 ± 4 MM		152 ± 4 MM		178 ± 4 MM		203 ± 4 MM		229 ± 5 MM		254 ± 5 MM		305 ± 5 MM	
REF DIM →	(2 INCHES)		(3 INCHES)		(4 INCHES)		(5 INCHES)		(6 INCHES)		(7 INCHES)		(8 INCHES)		(9 INCHES)		(10 INCHES)		(12 INCHES)	
CABLE TYPE →	A		D		A		D		A		D		A		D		A		D	
CIRCUITS ↓	A	D	A	D	A	D	A	D	A	D	A	D	A	D	A	D	A	D	A	D
6	153660053	153660054	153660055	153660056	153660057	153660058	153660059	153660060	153660061	153660062	153660063	153660064	153660065	153660066	153660067	153660068	153660069	153660070	153660071	153660072
8	153660075	153660076	153660077	153660078	153660079	153660080	153660081	153660082	153660083	153660084	153660085	153660086	153660087	153660088	153660089	153660090	153660091	153660092	153660093	153660094
10	153660097	153660098	153660099	153660100	153660101	153660102	153660103	153660104	153660105	153660106	153660107	153660108	153660109	153660110	153660111	153660112	153660113	153660114	153660115	153660116
12	153660119	153660120	153660121	153660122	153660123	153660124	153660125	153660126	153660127	153660128	153660129	153660130	153660131	153660132	153660133	153660134	153660135	153660136	153660137	153660138
14	153660141	153660142	153660143	153660144	153660145	153660146	153660147	153660148	153660149	153660150	153660151	153660152	153660153	153660154	153660155	153660156	153660157	153660158	153660159	153660160
16	153660163	153660164	153660165	153660166	153660167	153660168	153660169	153660170	153660171	153660172	153660173	153660174	153660175	153660176	153660177	153660178	153660179	153660180	153660181	153660182
18	153660185	153660186	153660187	153660188	153660189	153660190	153660191	153660192	153660193	153660194	153660195	153660196	153660197	153660198	153660199	153660200	153660201	153660202	153660203	153660204
20	153660207	153660208	153660209	153660210	153660211	153660212	153660213	153660214	153660215	153660216	153660217	153660218	153660219	153660220	153660221	153660222	153660223	153660224	153660225	153660226
22	153660229	153660230	153660231	153660232	153660233	153660234	153660235	153660236	153660237	153660238	153660239	153660240	153660241	153660242	153660243	153660244	153660245	153660246	153660247	153660248
24	153660251	153660252	153660253	153660254	153660255	153660256	153660257	153660258	153660259	153660260	153660261	153660262	153660263	153660264	153660265	153660266	153660267	153660268	153660269	153660270
26	153660273	153660274	153660275	153660276	153660277	153660278	153660279	153660280	153660281	153660282	153660283	153660284	153660285	153660286	153660287	153660288	153660289	153660290	153660291	153660292
28	153660295	153660296	153660297	153660298	153660299	153660300	153660301	153660302	153660303	153660304	153660305	153660306	153660307	153660308	153660309	153660310	153660311	153660312	153660313	153660314
30	153660317	153660318	153660319	153660320	153660321	153660322	153660323	153660324	153660325	153660326	153660327	153660328	153660329	153660330	153660331	153660332	153660333	153660334	153660335	153660336
32	153660339	153660340	153660341	153660342	153660343	153660344	153660345	153660346	153660347	153660348	153660349	153660350	153660351	153660352	153660353	153660354	153660355	153660356	153660357	153660358
34	153660361	153660362	153660363	153660364	153660365	153660366	153660367	153660368	153660369	153660370	153660371	153660372	153660373	153660374	153660375	153660376	153660377	153660378	153660379	153660380
36	153660383	153660384	153660385	153660386	153660387	153660388	153660389	153660390	153660391	153660392	153660393	153660394	153660395	153660396	153660397	153660398	153660399	153660400	153660401	153660402
38	153660405	153660406	153660407	153660408	153660409	153660410	153660411	153660412	153660413	153660414	153660415	153660416	153660417	153660418	153660419	153660420	153660421	153660422	153660423	153660424
40	153660427	153660428	153660429	153660430	153660431	153660432	153660433	153660434	153660435	153660436	153660437	153660438	153660439	153660440	153660441	153660442	153660443	153660444	153660445	153660446
42	153660449	153660450	153660451	153660452	153660453	153660454	153660455	153660456	153660457	153660458	153660459	153660460	153660461	153660462	153660463	153660464	153660465	153660466	153660467	153660468
44	153660471	153660472	153660473	153660474	153660475	153660476	153660477	153660478	153660479	153660480	153660481	153660482	153660483	153660484	153660485	153660486	153660487	153660488	153660489	153660490
46	153660493	153660494	153660495	153660496	153660497	153660498	153660499	153660500	153660501	153660502	153660503	153660504	153660505	153660506	153660507	153660508	153660509	153660510	153660511	153660512
48	153660515	153660516	153660517	153660518	153660519	153660520	153660521	153660522	153660523	153660524	153660525	153660526	153660527	153660528	153660529	153660530	153660531	153660532	153660533	153660534
50	153660537	153660538	153660539	153660540	153660541	153660542	153660543	153660544	153660545	153660546	153660547	153660548	153660549	153660550	153660551	153660552	153660553	153660554	153660555	153660556



- NOTES:**
- NO PRINTING ON JUMPER CABLE UNLESS OTHERWISE SPECIFIED. IF PRINTING IS REQUIRED, THEN IT WOULD BE CONSIDERED A SPECIAL JUMPER CABLE.
 - FOR ODD CIRCUIT COUNT, CROSS-SECTION AND END-TAIL DETAIL REFER TO SHEET # 2
 - CABLES MATE WITH MOLEX FFC/FPC CONNECTOR SERIES # 52745, 52746 & 52559

THIS DRAWING CONTAINS INFORMATION THAT IS PROPRIETARY TO MOLEX ELECTRONIC TECHNOLOGIES, LLC AND SHOULD NOT BE USED WITHOUT WRITTEN PERMISSION

DIMENSION UNITS	SCALE	CURRENT REV DESC: DRAWING CORRECTION			
MM	2:1				
GENERAL TOLERANCES (UNLESS SPECIFIED)		EC NO: 728054			
4 PLACES	±----	DRWN: DIEGOG7	2022/11/10		
3 PLACES	±----	CHK'D: JSMITH11	2022/11/14		
2 PLACES	±----	APPR: JSMITH11	2022/11/14		
1 PLACE	±----	INITIAL REVISION:			
0 PLACES	±----	DRWN: MSHANNON	2020/04/09		
		APPR: JSMITH11	2020/08/10		
ANGULAR TOL ± 0.5 °		THIRD ANGLE PROJECTION			
DRAFT WHERE APPLICABLE MUST REMAIN WITHIN DIMENSIONS		DRAWING	SERIES	MATERIAL NUMBER	CUSTOMER
		C-SIZE	15366	SEE CHART	GENERAL MARKET
				DOCUMENT NUMBER	DOC TYPE DOC PART REVISION
				153660001	PSD 001 C
				SHEET NUMBER	
				1 OF 2	

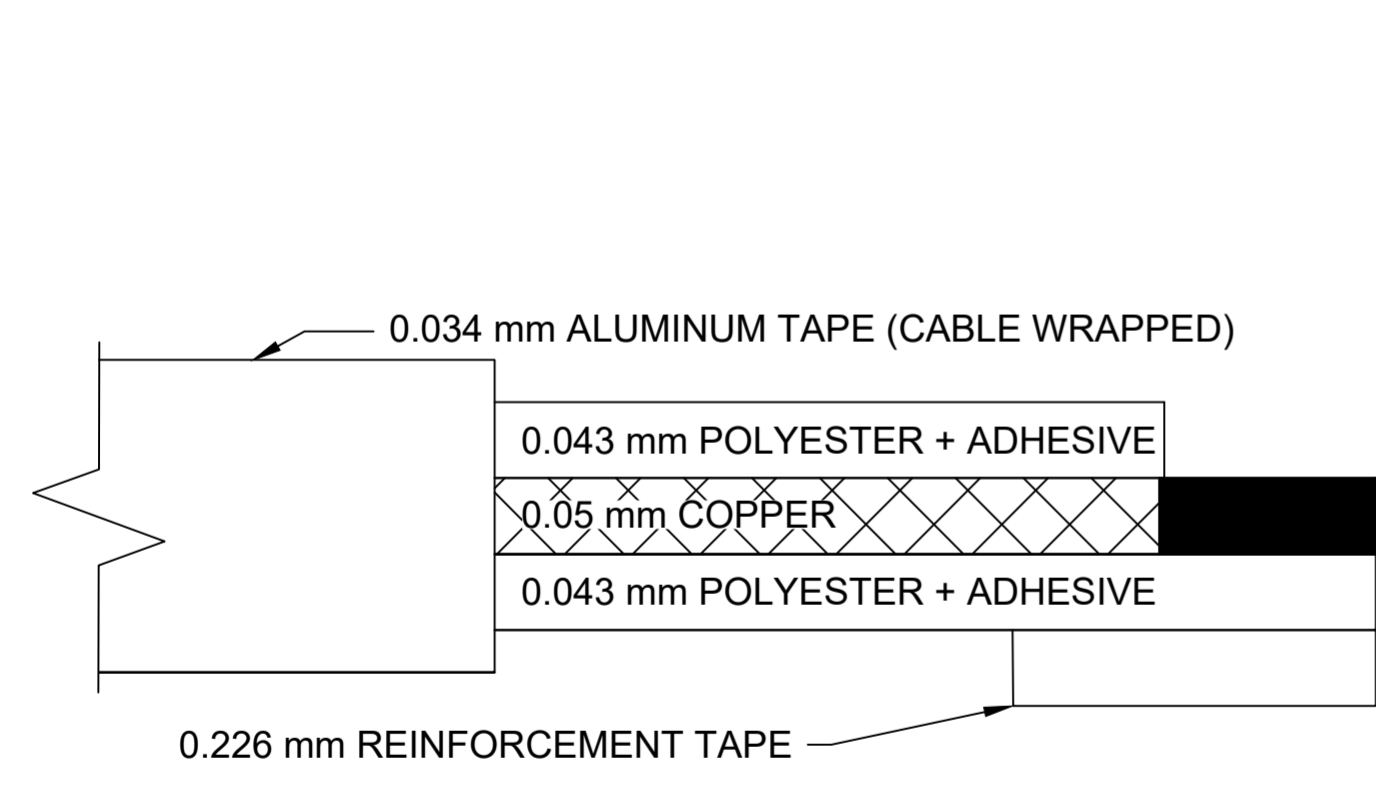
molex

0.50MM CENTER FLAT FLEXIBLE CABLE
(SHIELDED, 105°C, SN PLATING) SALES DRAWING

PRODUCT CUSTOMER DRAWING

0.50mm PITCH FLAT FLEXIBLE CABLE (SHIELDED, 105°C, Sn PLATING)

"L" DIM. →	51 ± 2 MM		76 ± 3 MM		102 ± 3 MM		127 ± 4 MM		152 ± 4 MM		178 ± 4 MM		203 ± 4 MM		229 ± 5 MM		254 ± 5 MM		305 ± 5 MM	
REF DIM →	(2 INCHES)		(3 INCHES)		(4 INCHES)		(5 INCHES)		(6 INCHES)		(7 INCHES)		(8 INCHES)		(9 INCHES)		(10 INCHES)		(12 INCHES)	
CABLE TYPE →																				
CIRCUITS ↓	A	D	A	D	A	D	A	D	A	D	A	D	A	D	A	D	A	D	A	D
7	153660747	153660746	153660749	153660748	153660751	153660750	153660753	153660752	153660755	153660754	153660757	153660756	153660759	153660758	153660761	153660760	153660763	153660762	153660765	153660764
9	153660769	153660768	153660771	153660770	153660773	153660772	153660775	153660774	153660777	153660776	153660779	153660778	153660781	153660780	153660783	153660782	153660785	153660784	153660787	153660786
11	153660791	153660790	153660793	153660792	153660795	153660794	153660797	153660796	153660799	153660798	153660801	153660800	153660803	153660802	153660805	153660804	153660807	153660806	153660809	153660808
13	153660813	153660812	153660815	153660814	153660817	153660816	153660819	153660818	153660821	153660820	153660823	153660822	153660825	153660824	153660827	153660826	153660829	153660828	153660831	153660830
15	153660835	153660834	153660837	153660836	153660839	153660838	153660841	153660840	153660843	153660842	153660845	153660844	153660847	153660846	153660849	153660848	153660851	153660850	153660853	153660852
17	153660857	153660856	153660859	153660858	153660861	153660860	153660863	153660862	153660865	153660864	153660867	153660866	153660869	153660868	153660871	153660870	153660873	153660872	153660875	153660874
19	153660879	153660878	153660881	153660880	153660883	153660882	153660885	153660884	153660887	153660886	153660889	153660888	153660891	153660890	153660893	153660892	153660895	153660894	153660897	153660896
21	153660901	153660900	153660903	153660902	153660905	153660904	153660907	153660906	153660909	153660908	153660911	153660910	153660913	153660912	153660915	153660914	153660917	153660916	153660919	153660918
23	153660923	153660922	153660925	153660924	153660927	153660926	153660929	153660928	153660931	153660930	153660933	153660932	153660935	153660934	153660937	153660936	153660939	153660938	153660941	153660940
25	153660945	153660944	153660947	153660946	153660949	153660948	153660951	153660950	153660953	153660952	153660955	153660954	153660957	153660956	153660959	153660958	153660961	153660960	153660963	153660962
27	153660967	153660966	153660969	153660968	153660971	153660970	153660973	153660972	153660975	153660974	153660977	153660976	153660979	153660978	153660981	153660980	153660983	153660982	153660985	153660984
29	153660989	153660988	153660991	153660990	153660993	153660992	153660995	153660994	153660997	153660996	153660999	153660998	153661001	153661000	153661003	153661002	153661005	153661004	153661007	153661006
31	153661011	153661010	153661013	153661012	153661015	153661014	153661017	153661016	153661019	153661018	153661021	153661020	153661023	153661022	153661025	153661024	153661027	153661026	153661029	153661028
33	153661033	153661032	153661035	153661034	153661037	153661036	153661039	153661038	153661041	153661040	153661043	153661042	153661045	153661044	153661047	153661046	153661049	153661048	153661051	153661050
35	153661055	153661054	153661057	153661056	153661059	153661058	153661061	153661060	153661063	153661062	153661065	153661064	153661067	153661066	153661069	153661068	153661071	153661070	153661073	153661072
37	153661077	153661076	153661079	153661078	153661081	153661080	982331083	153661082	153661085	153661084	153661087	153661086	153661089	153661088	153661091	153661090	153661093	153661092	153661095	153661094
39	153661099	153661098	153661101	153661100	153661103	153661102	153661105	153661104	153661107	153661106	153661109	153661108	153661111	153661110	153661113	153661112	153661115	153661114	153661117	153661116
41	153661121	153661120	153661123	153661122	153661125	153661124	153661127	153661126	153661129	153661128	153661131	153661130	153661133	153661132	153661135	153661134	153661137	153661136	153661139	153661138
43	153661143	153661142	153661145	153661144	153661147	153661146	153661149	153661148	153661151	153661150	153661153	153661152	153661155	153661154	153661157	153661156	153661159	153661158	153661161	153661160
45	153661165	153661164	153661167	153661166	153661169	153661168	153661171	153661170	153661173	153661172	153661175	153661174	153661177	153661176	153661179	153661178	153661181	153661180	153661183	153661182
47	153661187	153661186	153661189	153661188	153661191	153661190	153661193	153661192	153661195	153661194	153661197	153661196	153661199	153661198	153661201	153661200	153661203	153661202	153661205	153661204
49	153661209	153661208	153661211	153661210	153661213	153661212	153661215	153661214	153661217	153661216	153661219	153661218	153661221	153661220	153661223	153661222	153661225	153661224	153661227	153661226



- NOTES:
- NO PRINTING ON JUMPER CABLE UNLESS OTHERWISE SPECIFIED. IF PRINTING IS REQUIRED, THEN IT WOULD BE CONSIDERED A SPECIAL JUMPER CABLE.
 - CABLES MATE WITH MOLEX FFC/FPC CONNECTOR SERIES # 52745, 52746 & 52559

THIS DRAWING CONTAINS INFORMATION THAT IS PROPRIETARY TO MOLEX ELECTRONIC TECHNOLOGIES, LLC AND SHOULD NOT BE USED WITHOUT WRITTEN PERMISSION											
DIMENSION UNITS		SCALE		CURRENT REV DESC: DRAWING CORRECTION							
MM		NA		<p>molex</p> <p>0.50MM CENTER FLAT FLEXIBLE CABLE (SHIELDED, 105°C, SN PLATING) SALES DRAWING</p> <p>PRODUCT CUSTOMER DRAWING</p> <p>DOCUMENT NUMBER: 153660001 DOC TYPE: PSD DOC PART: 001 REVISION: C</p>							
GENERAL TOLERANCES (UNLESS SPECIFIED)											
	mm		INCH								
4 PLACES	±----		±----								
3 PLACES	±----		±----								
2 PLACES	±----		±----								
1 PLACE	±----		±----								
0 PLACES	±----		±----								
ANGULAR TOL ± 0.5 °				EC NO: 728054		2022/11/10					
DRAFT WHERE APPLICABLE MUST REMAIN WITHIN DIMENSIONS				DRWN: DIEGOG7		2022/11/14					
THIRD ANGLE PROJECTION				CHK'D: JSMITH11		2022/11/14					
DRAWING				APPR: JSMITH11		2022/11/14					
SERIES				INITIAL REVISION:			DOCUMENT NUMBER		DOC TYPE	DOC PART	REVISION
C-SIZE				DRWN: MSHANNON			153660001		PSD	001	C
15366				APPR: JSMITH11			2020/04/09				
MATERIAL NUMBER		CUSTOMER		SHEET NUMBER							
SEE CHART		GENERAL MARKET		2 OF 2							