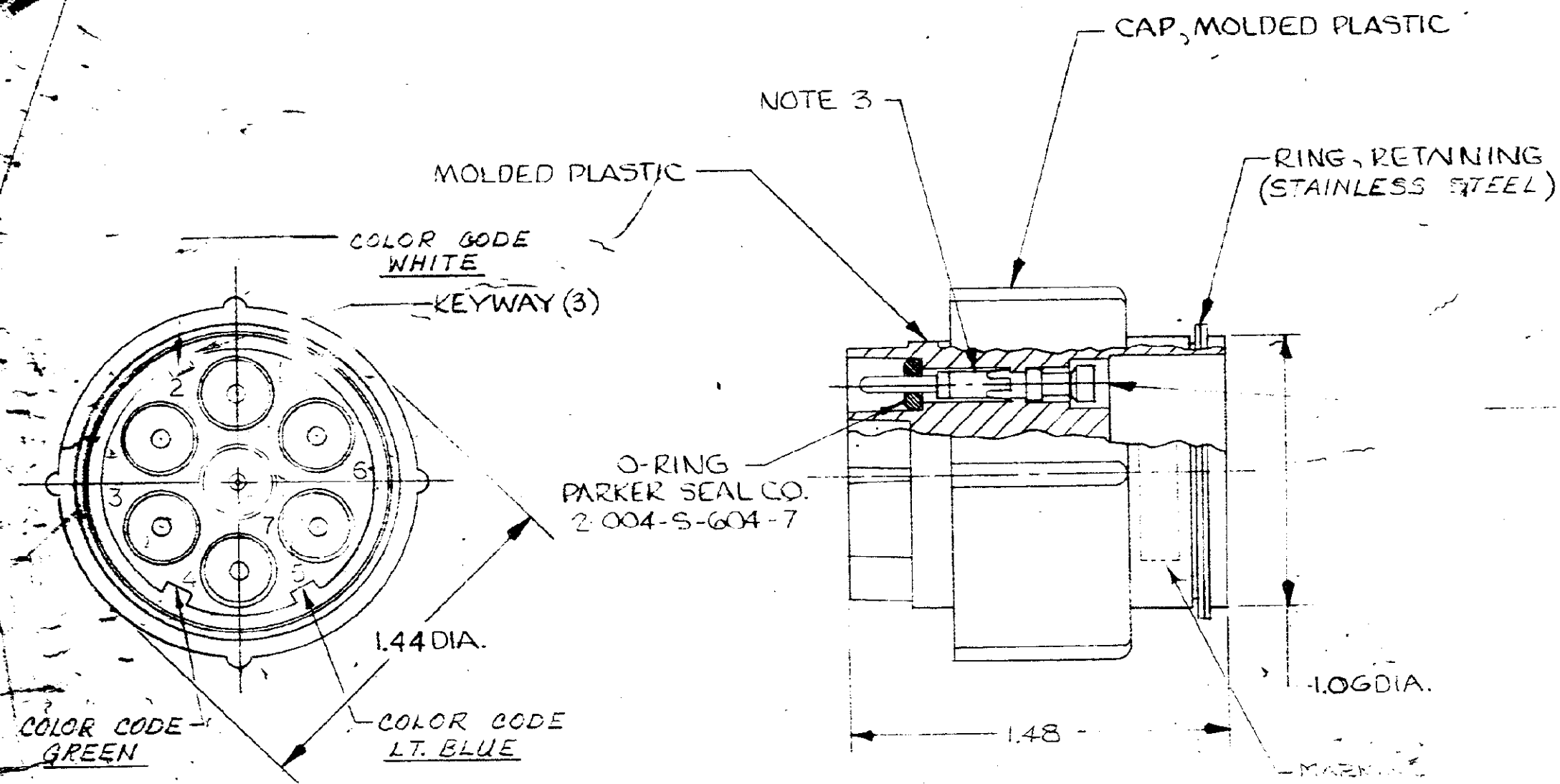


AMERICAN PROJECTION

AMP INCORPORATED. ALL RIGHTS RESERVED. AMP PRODUCTS ARE COVERED BY PATENTS AND/OR PATENT PENDING.

AMP CONTACT IS A REGISTERED TRADEMARK OF AMP INCORPORATED.

| REVISIONS | | | | |
|-----------|-----|----------------------|----------|----------|
| ZONE | LTR | DESCRIPTION | DATE | APPROVED |
| | | | | |
| | C | ADDED -3,4-4 | 11/74 | M.A. |
| | D | ADDED -5 | 10-14-75 | M.A. |
| | E | ADDED NOTE 7 | 2-27-76 | M.A. |
| | F | ADDED -6 | 10-6-76 | M.A. |
| | G | ADDED -7,-8,-9 | 6-28-77 | M.A. |
| | H | OBS-3,4,5 ECNDF 0376 | 2-89 | T.W. |



CUSTOMER TO ATTACH LEADS & PROTECT AGAINST ARC-OVER & BREAK-DOWN BY POTTING. PINS TO BE COATED WITH RTV IOS AND INSERTED IN CAVITIES, AFTER CURING FILL BACK END OF PLUG WITH HYDROL 4210 (REF AMP #S-340710-2)

NOTE:

1. PLUG ASS'Y WILL WITHSTAND WITHOUT BREAK-DOWN 27 KVDC PIN TO PIN & 27 KVDC PIN TO GRD. WHEN MATED WITH RECEPTACLE 861647-1
2. MARKING TO BE WHITE
3. TO FIT OVER PIN USE EXTRA 30° TOOL 861645-1
4. PLUG & PINS TO BE SHIPPED SEPARATELY.
5. TYPE II PINS TO ACCEPT ONE (1) 20 AWG, (1) 22 AWG, OR (1) 24 AWG STRANDED WIRE
6. TYPE II PINS TO ACCEPT ONE (1) 18 AWG OR (1) 19 AWG STRANDED WIRE

TYPE II PINS TO ACCEPT ONE (1) 14 AWG STRANDED WIRE.

| AMP P/N | WIRE SIZE FANG | HAND TOS | COLOR CODING |
|----------|----------------|--------------|--------------|
| 861648-1 | 20,22,24 | 45099 | YES |
| 861648-2 | 16,18 | 45099 | YES |
| 861648-3 | 20-24 COAX | 1 COAX-69656 | YES |
| 861648-4 | 20-24 COAX | 5 COAX-69656 | YES |
| 861648-5 | 14 | 45098 | YES |
| 861648-6 | | | YES |
| 861648-7 | 20,22,24 | 45099 | NO |
| 861648-8 | 16,18 | 45098 | NO |
| 861648-9 | 14 | 45098 | NO |

| QTY REQD | QTY REQD | ITEM NO. | DWG SIZE | PART OR IDENTIFYING NO. | NOMENCLATURE OR DESCRIPTION | SYM |
|----------|----------|----------|----------|-------------------------|-----------------------------|-----|
| -2 | -1 | | | | | |

CONTRACT NO. _____
 DR _____
 CHK _____
 APPD _____
 APPD _____
 DSN APPD _____
 OTHER APPD _____

UNLESS OTHERWISE SPECIFIED:
 DIMENSIONS ARE IN INCHES
 TOLERANCES
 .00 ± .04 ANGLES =
 .000 ± .015

MATERIAL: _____
 FINISH: BLACK

AMP INCORPORATED
 CAPITRON DIVISION
 ELIZABETHTOWN, PENNSYLVANIA

NAME: PLUG ASSY, H.V. 7 PIN
 EGH

SIZE: C
 CODE IDENT NO.: 00779
 NUMBER: 861648

SCALE: _____ WT _____ SHEET _____

| QTY REQD | QTY REQD | ITEM NO. | DWG SIZE | PART OR IDENTIFYING NO. | NOMENCLATURE OR DESCRIPTION | SYM |
|----------|----------|----------|----------|-------------------------|-----------------------------|-----|
| | | | | | | |