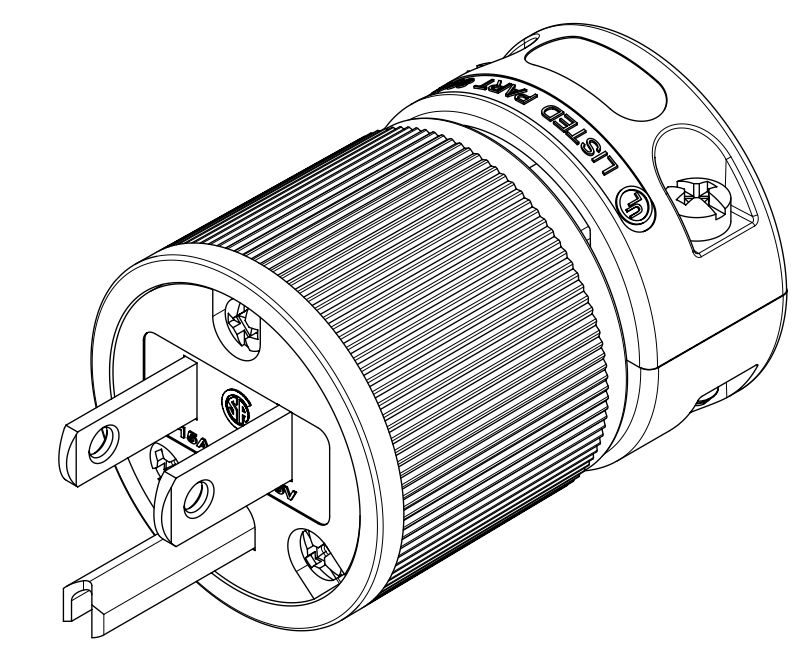
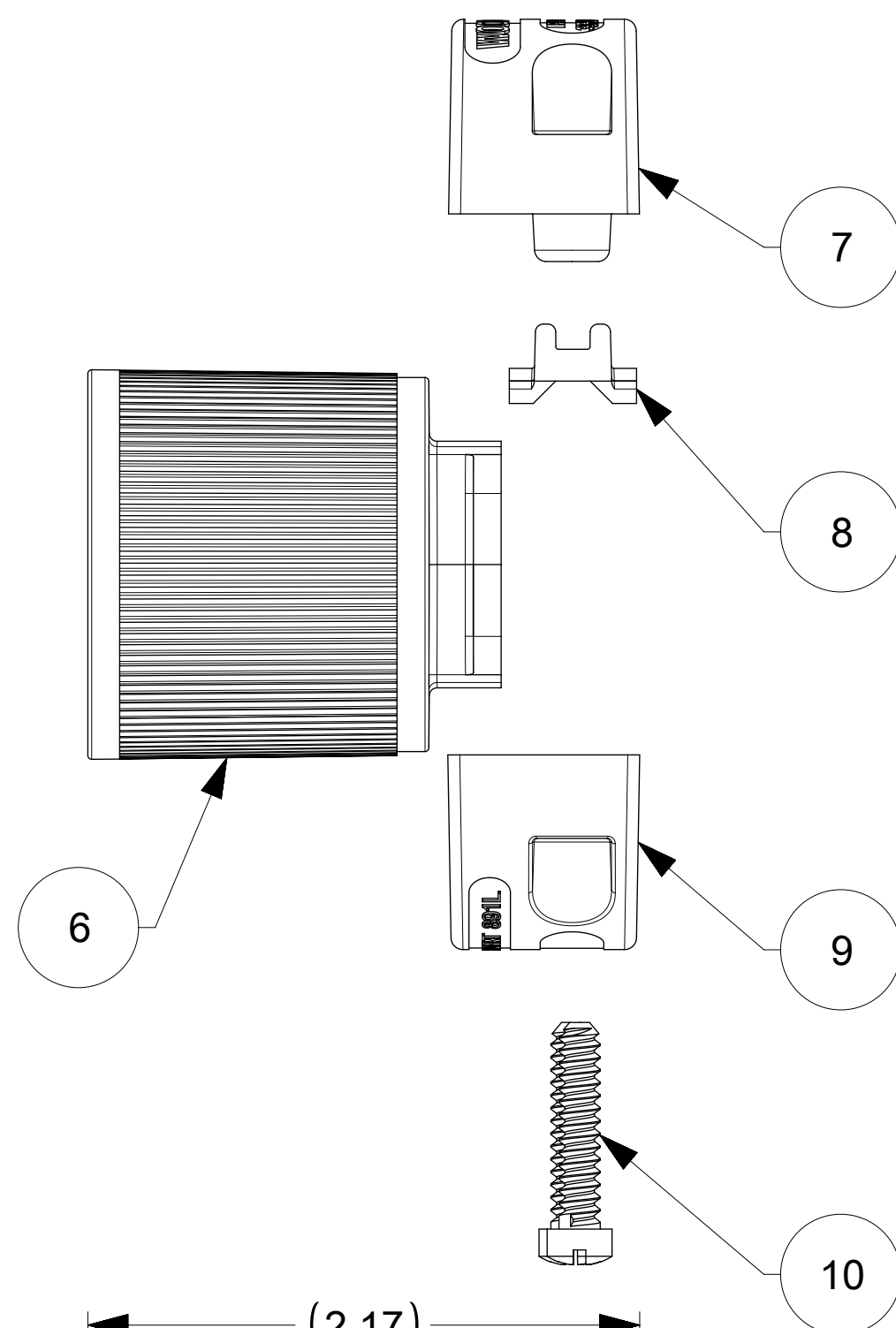
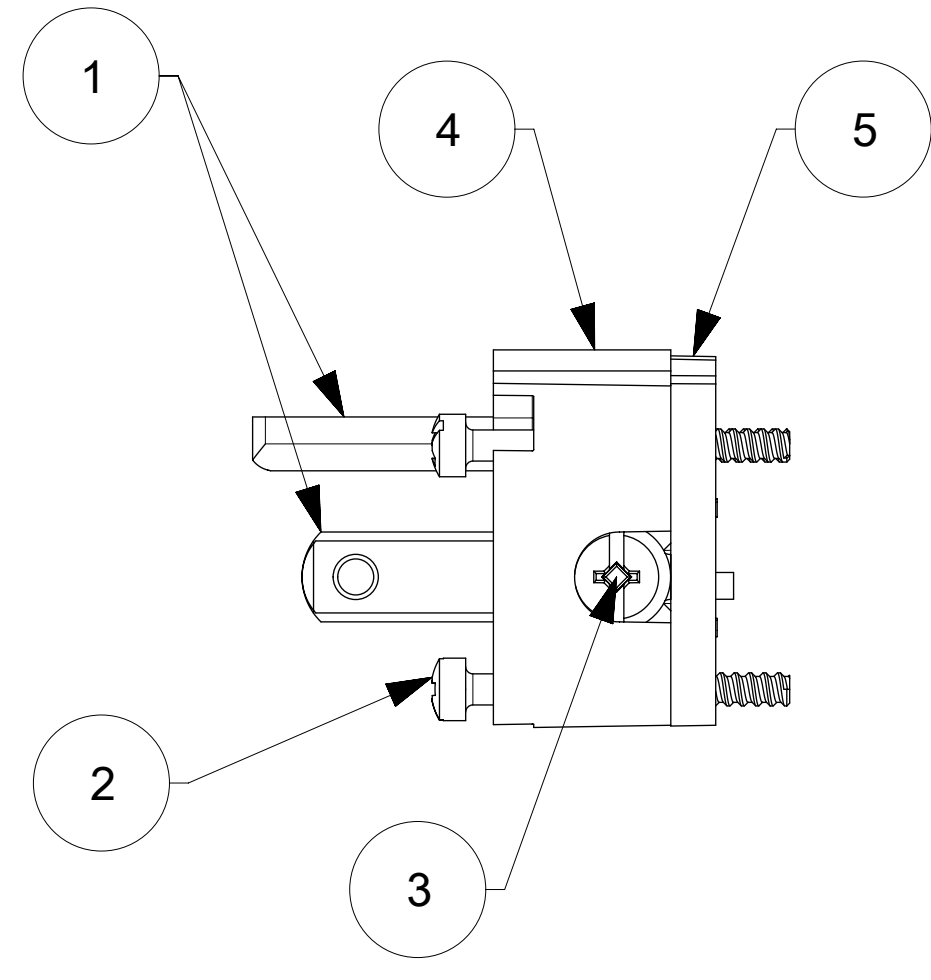
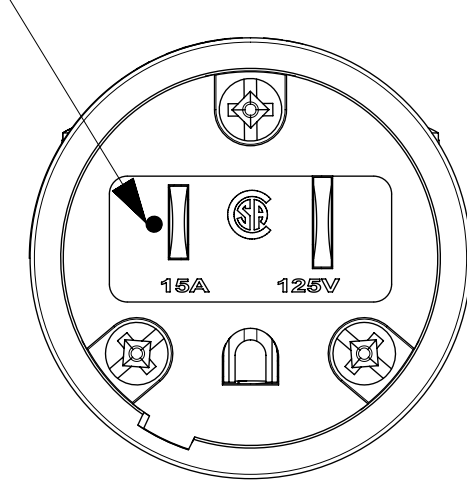


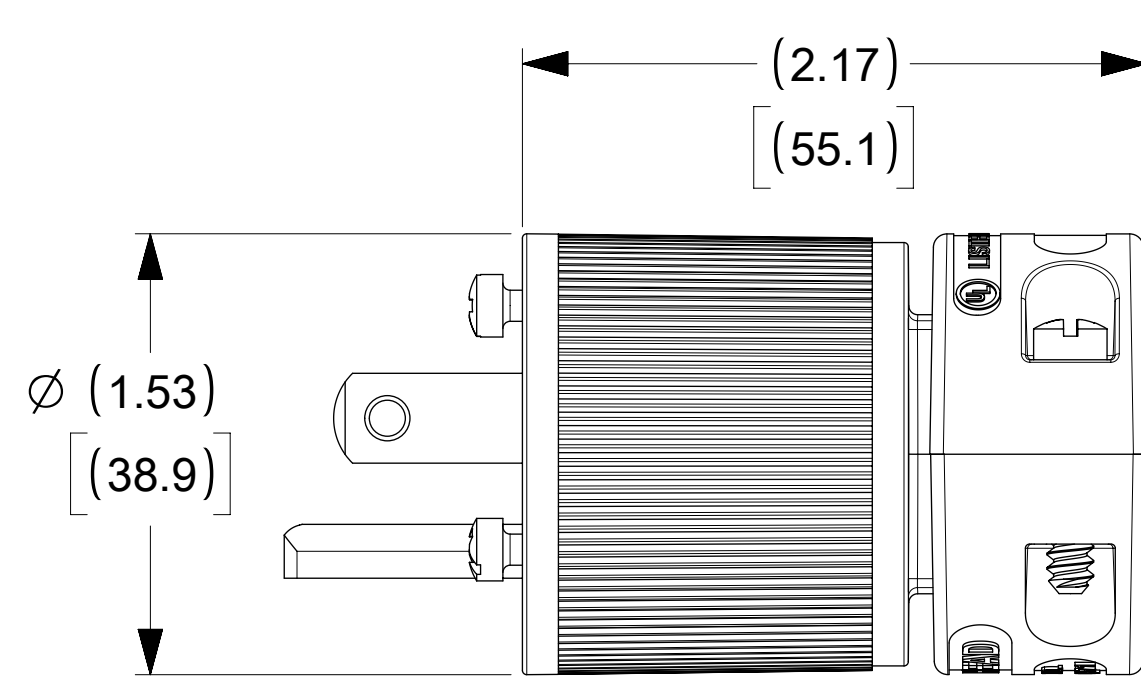
ORDER NO.	WOODHEAD NO.	COLOR	GRADE
130144-0036	5266	BLACK	STANDARD
130144-0037	5266BL	BLUE	STANDARD
130144-0039	5266GRN	GREEN	STANDARD
130144-0043	5266YL	YELLOW	STANDARD
130144-0078	85266	BLACK	HOSPITAL
130144-0079	85266YL	YELLOW	HOSPITAL



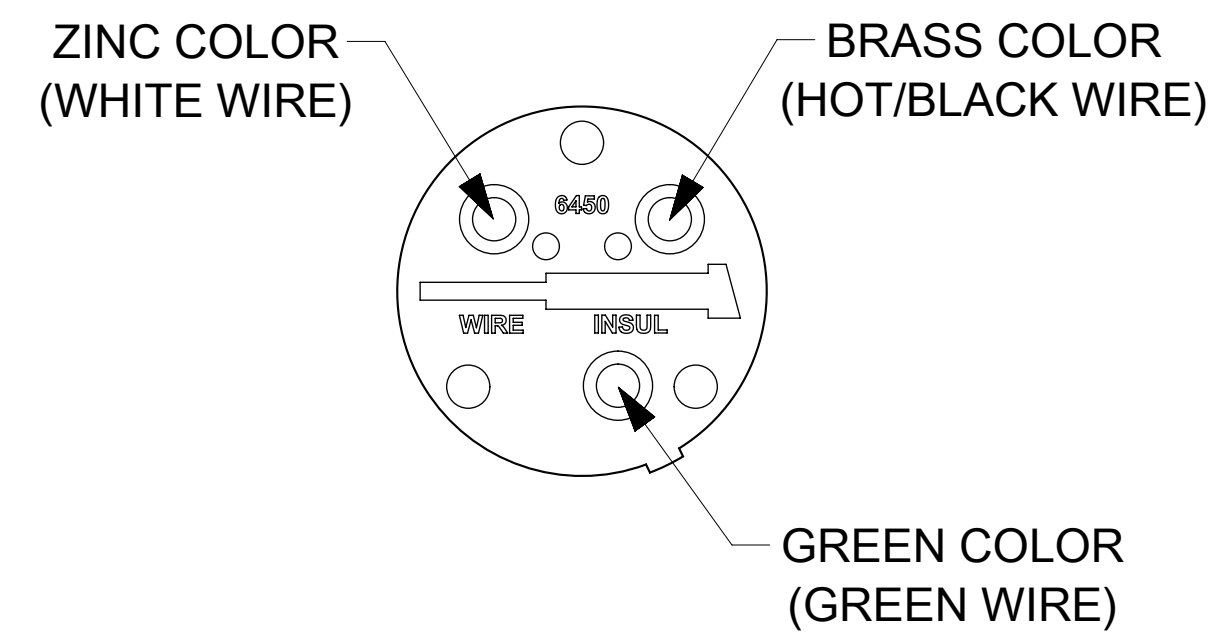
GREEN DOT FOR HOSPITAL GRADE ONLY (85266XXX)



FACE VIEW



WIRING TERMINATION



ITEM NO.	DESCRIPTIONS	MATERIAL	QTY.
1	BLADES	BRASS	3
2	RETAINING SCREWS	STAINLESS STEEL	3
3	TERMINAL SCREWS/CLAMP ASSEMBLY	BRASS, ZINC PLATED	3
4	INSERT	NYLON	1
5	TERMINAL COVER	POLYCARBONATE	1
6	HOUSING	NYLON	1
7	CLAMP CORD MALE	NYLON	1
8	CLAMP CORD INSERT	NYLON	1
9	CLAMP CORD FEMALE	NYLON	1
10	RETAINING SCREWS	STEEL, ZINC PLATED	2

SYMBOLS DIMENSION UNITS: INCH[MM] SCALE: NTS CURRENT REV DESC: NEW RELEASE				molex SAFEWAY PLUG 2P3W 5-15					
GENERAL TOLERANCES (UNLESS SPECIFIED) 4 PLACES ± 3 PLACES ± 2 PLACES ± 1 PLACE ± 0 PLACES ±				EC NO: 613441 DRWN: VBASUTHKARP 2019/01/30 CHK'D: DNGUYEN62 2019/10/30 APPR: HKNEELAND 2020/01/25					
DRAFT WHERE APPLICABLE MUST REMAIN WITHIN DIMENSIONS				THIRD ANGLE PROJECTION		DRAWING SERIES: C-SIZE 130144		PRODUCT CUSTOMER DRAWING DOCUMENT NUMBER: 1301440036 DOC TYPE: PSD DOC PART: 000 REVISION: A	
DOCUMENT STATUS: P1		RELEASE DATE: 2020/01/25 01:04:07		MATERIAL NUMBER: SEE TABLE		CUSTOMER: GENERAL MARKET		SHEET NUMBER: 1 OF 1	