



Wireless Water Leak Sensor User Guide

VERSION 1.4
SEPTEMBER 2019

TABLE OF CONTENTS

1. QUICK START	2
2. OVERVIEW	2
2.1. Sensor Overview	2
2.2. Revision History	3
2.3. Document Conventions	3
2.4. Part Numbers	3
3. TECHNICAL SPECIFICATIONS	4
3.1. Absolute Maximum Ratings	4
4. BATTERY LIFE.....	5
5. TEST MESSAGES	6
6. MESSAGE PROTOCOL	6
6.1. Common Messages.....	6
6.2. Uplink Messages	7
6.3. Downlink Messages.....	8
7. MECHANICAL DRAWINGS	9
7.1. INDOOR RBSX01 SENSORS.....	9
7.2. ARMORED OUTDOOR/INDUSTRIAL RBSX06 SENSORS	10
8. REGULATORY AND COMPLIANCE.....	11
8.1. Federal Communications Commission (FCC)	11
8.2. Harmonized Commodity Description (HS Code)	11
8.3. Export Control Classification Number (ECCN).....	11
9. CUSTOMER SUPPORT	12
10. DISCLAIMERS.....	12
11. LEGAL NOTICES	12
12. TRADEMARKS AND COPYRIGHT	12

1. QUICK START

To start using your sensor, simply go to:

<https://console.radiobridge.com>

From here you can register your device and immediately start receiving messages from the sensor.

The sensor configuration, message monitoring, and setting up alerts is usually self-explanatory through the user interface. For further explanations of any sensor features, you may refer to this user guide

2. OVERVIEW

2.1. Sensor Overview

The wireless sensors designed and manufactured by Radio Bridge provide full sensor to cloud solutions for Internet of Things (IoT) applications. The water leak sensor uses a water/liquid sensor probe to detect the presence of water or other liquids. When the presence of water or another liquid is detected, an alert is sent over the wireless network.

Features include:

- Built-in radio that talks directly with LoRaWAN wireless networks
- Two types of tamper detection: enclosure tamper and wall mount tamper
 - Enclosure tamper detects if the packaging of the sensor itself is opened or broken Available on the RBSx01, RBSx05, and RBSx06 sensors.
 - Wall mount tamper detects if the sensor has been removed from the wall or mounting point. Available on the RBSx01 and RBSx05 sensors.
- 200,000+ transmissions on a single battery and a 5-10 year battery life depending on usage. See Battery section for more detail.
- Fully integrated internal antenna
- Over the air sensor configuration in the field
- Automatic low battery reporting and supervisory messages



2.2. Revision History

Table 1 Revision History

Revision	Date	Description
1.0	April 2018	Initial release of the document
1.1	August 2018	Updated protocol definitions
1.2	October 2018	Regulatory and FCC
1.3	March 2019	Add International Part Numbers
1.4	September 2019	Updated common sections

2.3. Document Conventions

Table 2 Document Conventions

Font / Icon	Meaning
	Important notes
	Warnings and cautions

2.4. Part Numbers

Table 3 Part Numbers

Part Number	Rating	Wireless	Region
Water Probes			
RBS301-WAT-US	Indoor	LoRaWAN	North America, South America
RBS301-WAT-EU	Indoor	LoRaWAN	Europe
RBS301-WAT-AU	Indoor	LoRaWAN	Australia, South America
RBS306-WAT-US	Outdoor/Industrial	LoRaWAN	North America, South America
RBS306-WAT-EU	Outdoor/Industrial	LoRaWAN	Europe
Water Ropes – 1 meter length			

RBS301-WR1M-US	Indoor	LoRa	North America, South America
RBS301-WR1M-EU	Indoor	LoRa	Europe
RBS301-WR1M-AU	Indoor	LoRa	Australia, South America
RBS306-WR1M-US	Outdoor/Industrial	LoRa	North America, South America
RBS306-WR1M-EU	Outdoor/Industrial	LoRa	Europe
Water Ropes – 10 meter length			
RBS301-WR10M-US	Indoor	LoRa	North America, South America
RBS301-WR10M-EU	Indoor	LoRa	Europe
RBS301-WR10M-AU	Indoor	LoRa	Australia, South America
RBS306-WR10M-US	Outdoor/Industrial	LoRa	North America, South America
RBS306-WR10M-EU	Outdoor/Industrial	LoRa	Europe

3. TECHNICAL SPECIFICATIONS

3.1. Absolute Maximum Ratings

Table 4 Absolute Maximum Ratings

Parameter	Rating	Units
Operating ambient temperature (Indoor Version)	-30 to +70	°C
Operating ambient temperature (Outdoor Version)	-40 to +70	°C
Storage ambient temperature	-40 to +100	°C

4. BATTERY LIFE

The sensor uses a lithium non-rechargeable battery and is capable of 200,000+ total messages depending on the wireless standard and usage. For an accurate estimate of battery life, please refer to the “Sensor Battery Estimator.xlsx” spreadsheet on the Radio Bridge website. This spreadsheet combines usage information such as average number of messages per day and estimates the battery life for a particular sensor.



Refer to the spreadsheet “Sensor Battery Estimator.xlsx” on the Radio Bridge website for specific battery life estimates.

The power required for a message transmission is much greater than the “sleep current” (the power consumed when the sensor is inactive) for high power radio technologies such as LoRaWAN. This means that the battery life for most sensors is primarily dependent on the number of transmissions per day.

Different battery types will deplete over time with different voltage profiles. For instance, a lithium battery will maintain a relatively high voltage for the life of the battery and then experience a rapid drop near the end, whereas an alkaline battery will experience a more gradual reduction in voltage over time. Radio Bridge sensors are shipped with lithium batteries, and these are recommended when the battery needs to be eventually replaced.

Temperature also plays a role in battery life. The battery life estimates in the online spreadsheet assume room temperature, but temperatures close to the maximum and minimum ratings will have a negative impact on battery life. For example, battery voltage tends to be lower in cold temperatures and the internal circuitry needs a certain minimum voltage to operate properly before it will shut down. Thus, battery life will tend to be shorter when running the sensor in cold environments.



Battery voltage will be lower in cold temperatures and thus battery life will be reduced in cold environments.

The battery voltage is reported by the supervisory messages as well as a low battery indicator. See the section on Message Protocol for more detail.

5. TEST MESSAGES

The sensor can be triggered to send test messages by placing a magnet next to the side of the sensor. The location of the magnet is indicated by the triangular notch on the side of RBSx01 and RBSx05 sensors. RBSx04 sensors do not have this capability. There is a small magnetic Hall effect sensor that will detect the presence of a magnet and send a message. This can be used for diagnostic purposes to ensure the sensor is within range and connected to the network.

6. MESSAGE PROTOCOL

This section defines the protocol and message definitions for the sensor.



Radio Bridge provides a web-based console at console.radiobridge.com to configure and monitor sensors. Usage of this console is highly recommended for most customers rather than implementing the protocols defined in this section.

If the standard Radio Bridge console (console.radiobridge.com) is not used, refer to this section to decode the sensor data and configure the sensor through downlink messages.

6.1. Common Messages

There are common messages across all wireless sensors that are defined in the document “Common Sensor Messages” which is available on the Radio Bridge website.



Refer to the document “Common Sensor Messages” for definitions of all common messages. Common messages are not defined in this document.

Common messages include basic error messages, tamper, supervisory, and downlink ack. It is important to refer to that document prior to decoding the messages defined in this section.

6.2. Uplink Messages

The uplink message (sensor to web application) specific to the sensor is defined in following table. The common uplink messages are not included in this section (see common messages document).

Table 5 Uplink Message 0x08: Water or Liquid Event

Byte	Description
0	Water event (see table Water Event Bit Definitions)
1	Relative measurement of the resistance between probes (scale of 0-255)

The water event bit definitions are shown in the following table.

Table 6 Water Event Bit Definitions

Bits	Description
7:1	Unused
1	Water or liquid not present
0	Water or liquid present

The 8-bit event for the liquid sensor contains a relative measurement of the resistance between the probes with a scale of 0-255. Different liquids will have a different resistance through the material (water vs fuel for example), so this measurement can be used to set the threshold properly as defined by the configuration message in the Downlink section

6.3. Downlink Messages

The downlink message (web application to sensor) specific to the sensor configuration is defined in following table. The common downlink messages are not included in this section (see common messages document).

Table 7 Downlink Configuration Message 0x08

Byte	Description
0	Disable Events (see table Disable Events Bit Definitions)
1	Threshold of relative resistance between probes (scale 0-255)
2	Restoral margin in units of relative resistance between probes (scale 0-255)

The downlink configuration message for the sensor contains the resistance threshold for detecting the presence of a liquid. Different liquids will have difference resistance, so this threshold will need to be set based on the type of liquid that is being detected. The payload from the event message can be used to find the relative resistance of a given liquid.

The bit definitions for the disable events field are defined below.

Table 8 Disable Events Bit Definitions

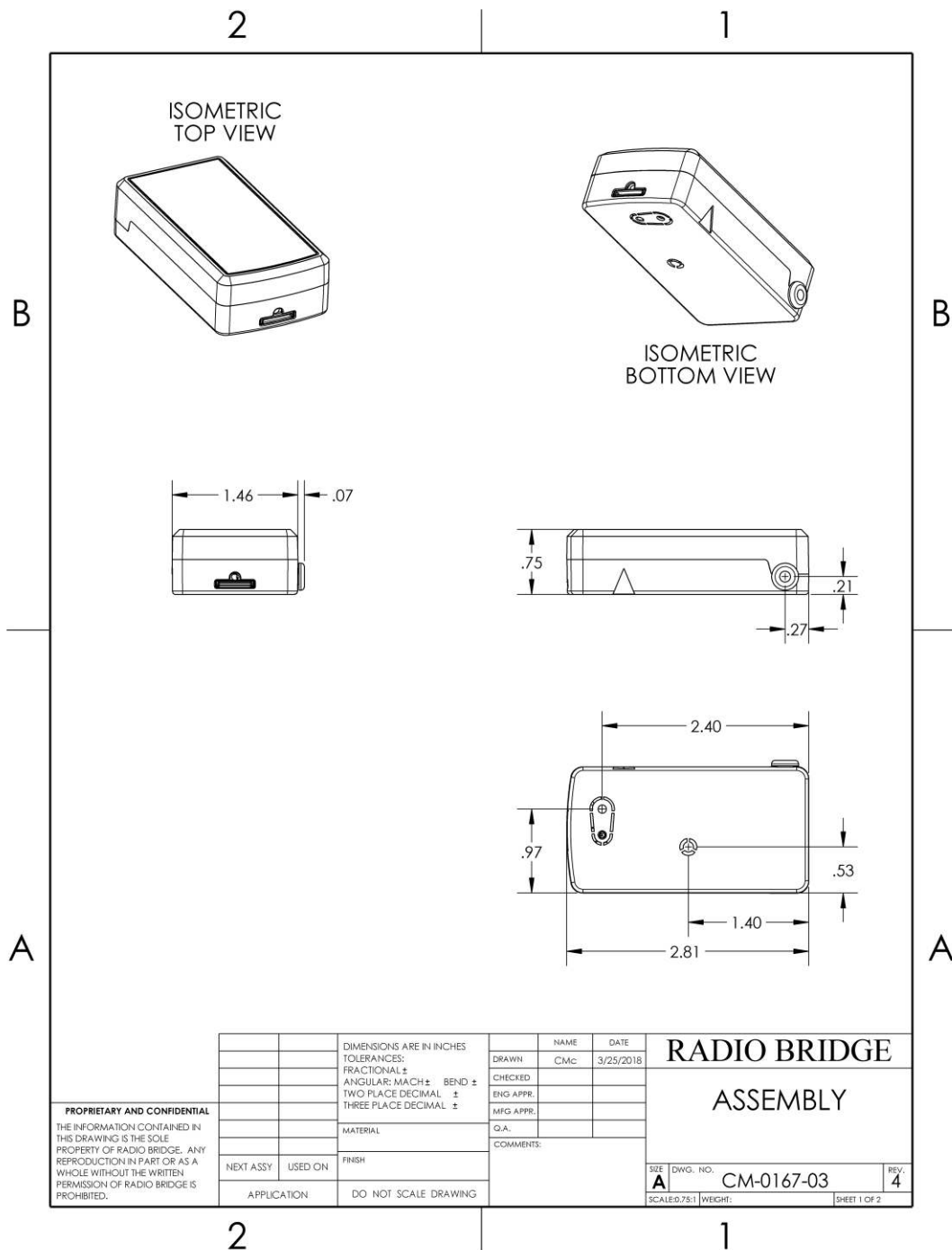
Byte	Description
7:2	Not used
1	Disable water not present message (1 to disable, 0 to enable)
0	Disable water present message (1 to disable, 0 to enable)

An alert is sent when the relative measurement increases above the defined threshold. The restoral margin requires that the measurement reduces by a certain amount below the threshold before another alert is triggered. Both the threshold and restoral margin are in units of relative resistance measurements on a scale of 0-255.

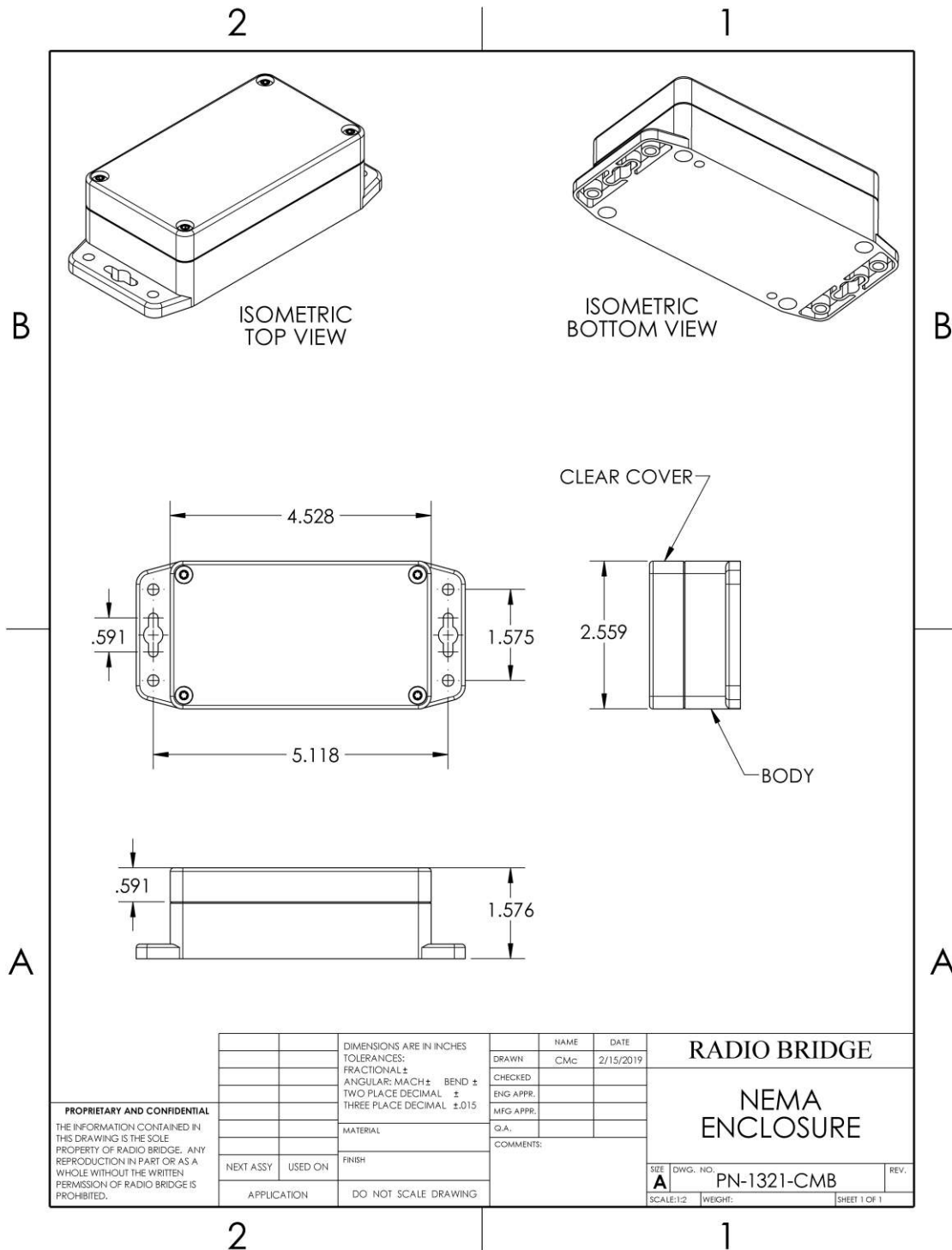
7. MECHANICAL DRAWINGS

The mechanical drawings provided in this section are for the main body of the sensor. All dimensions are inches unless otherwise noted.

7.1. INDOOR RBSx01 SENSORS



7.2. ARMORED OUTDOOR/INDUSTRIAL RBSX06 SENSORS



8. REGULATORY AND COMPLIANCE

8.1. Federal Communications Commission (FCC)

Per FCC 15.19(a)(3) and (a)(4) This device complies with part 15 of the FCC Rules. Operation is subject to the following two conditions: (1) This device may not cause harmful interference, and (2) this device must accept any interference received, including interference that may cause undesired operation.

Per FCC 15.21, Changes or modifications not expressly approved by Radio Bridge could void authority to operate the devices.

Sigfox RBS101, RBS104, and RBS105 sensors FCC ID: 2APNUSFM10R2

LoRaWAN RBS301, RBS304, and RBS305 sensors FCC ID: 2APNUCMABZ

LoRaWAN RBS306 sensors: This device contains FCC IAU792U13A16858

This device contains equipment certified under IC: 125A-0055

8.2. Harmonized Commodity Description (HS Code)

The Harmonized Commodity Description and Coding System generally referred to as “Harmonized System” or simply “HS” is a multipurpose international product nomenclature developed by the World Customs Organization (WCO).

HS Code: 8531.90

8.3. Export Control Classification Number (ECCN)

ECCNs are five character alpha-numeric designations used on the Commerce Control List (CCL) to identify dual-use items for export control purposes. An ECCN categorizes items based on the nature of the product, i.e. type of commodity, software, or technology and its respective technical parameters.

ECCN: 5a992.c

9. CUSTOMER SUPPORT

Radio Bridge offers free technical support at:

<https://support.radiobridge.com>

Radio Bridge also offers technical support plans and service packages to help our customers get the most out of their Radio Bridge products.

10. DISCLAIMERS

Information in this document is subject to change without notice and does not represent a commitment on the part of Radio Bridge. Radio Bridge provides this document “as is,” without warranty of any kind, expressed or implied, including, but not limited to, the implied warranties of fitness or merchantability for a particular purpose. Radio Bridge may make improvements and/or changes in this manual or in the product(s) and/or the software described in this manual at any time.

11. LEGAL NOTICES

See the [Legal Notices](#) section of the website for up to date information on Radio Bridge’s warranty, returns policy, privacy statement, terms of sale, and terms of service.

12. TRADEMARKS AND COPYRIGHT

Radio Bridge™, SubGig®, Armored Sensor™ and BridgeBee® are trademarks of Radio Bridge Inc in the United States.

© 2019 Radio Bridge Inc. All rights reserved