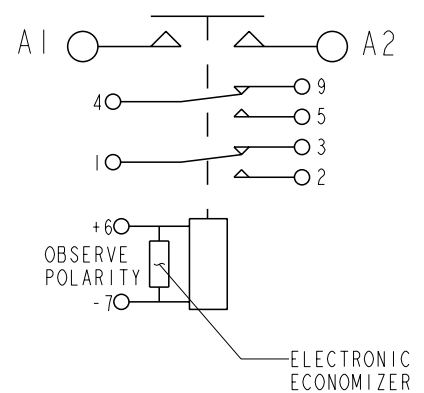
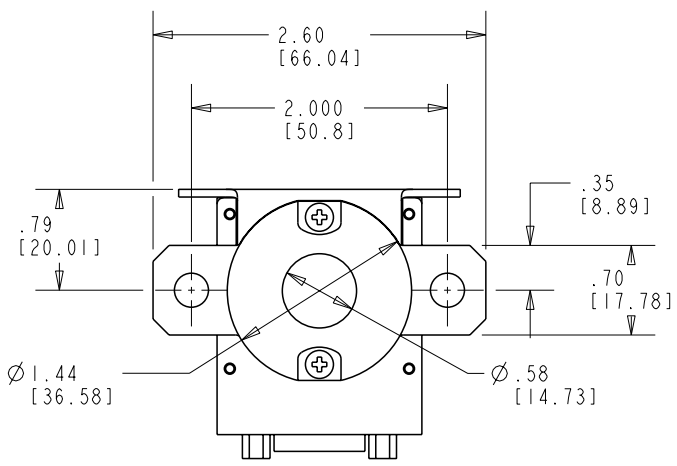


REVISIONS		RELEASED		APPROVED
REV.	DESCRIPTION	DATE		
A	RELEASE TO PRODUCTION FROM REV.5	15/08/06		RSS
B	18-017475 CORRECTED MATING CONNECTOR CALLOUT	18/11/06		AH
C	19-003372 ADDED METRIC UNITS FOR DIM AND WEIGHT	19/03/04		AH
D	19-007176 SPECIFICATION NOTES UPDATED	19/05/08		AH



**CONSTRUCTION** GASKET SEALED

**MAIN CONTACTS CONFIGURATION** SPST N.O. (DOUBLE BREAK)

**VOLTAGE** 28 VDC

**CURRENT** 200 AMPS

**RESISTIVE MOTORLOAD OVERLOAD** 120 AMPS PER MIL-PRF-6106  
1600 AMPS PER MIL-PRF-6106

**RUPTURE** 2000 AMPS

**COIL DATA** CONTINUOUS (ECONOMIZED)

**DUTY CYCLE** 32 VDC

**MAX. OPERATE VOLTAGE** 28 VDC

**NOMINAL OPERATE VOLTAGE** 28 VDC

**PICKUP VOLTAGE** 18 VDC MAX

**DROP VOLTAGE** 1-9 VDC

**PICKUP TIME** 15 mS

**DROPOUT TIME** 15 mS

**COIL CURRENT** 5 AMPS MAX AT 28 VDC & 25°C

**INRUSH** 300 mA MAX AT 28 VDC & 25°C

**HOLD SUPPRESSION** ±45 VDC

**AUX CONTACTS CONFIGURATION** 2 SPDT

**VOLTAGE** 28 VDC

**CURRENT RESISTIVE** 3 AMPS

**LOW LEVEL** 1 mA AT 28 VDC

**ENVIRONMENTAL DATA**

**TEMPERATURE** -55°C TO +85°C

**ALTITUDE** 50,000 FEET [15,240M]

**LIFE ELECTRICAL** 50,000 CYCLES MIN.

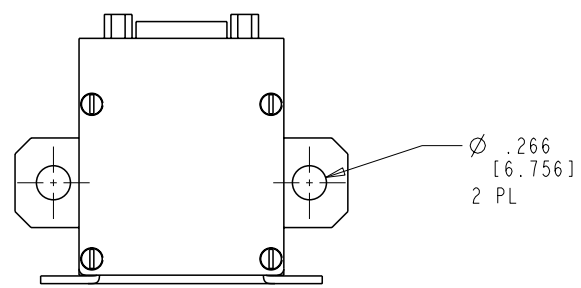
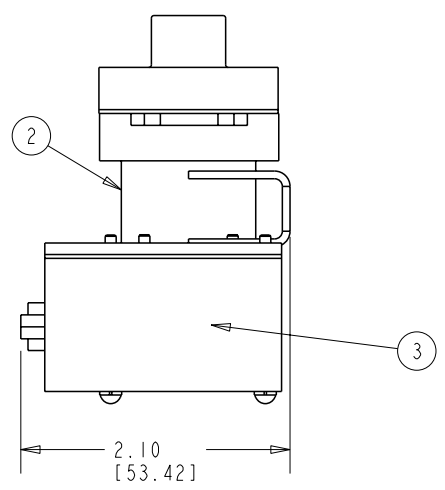
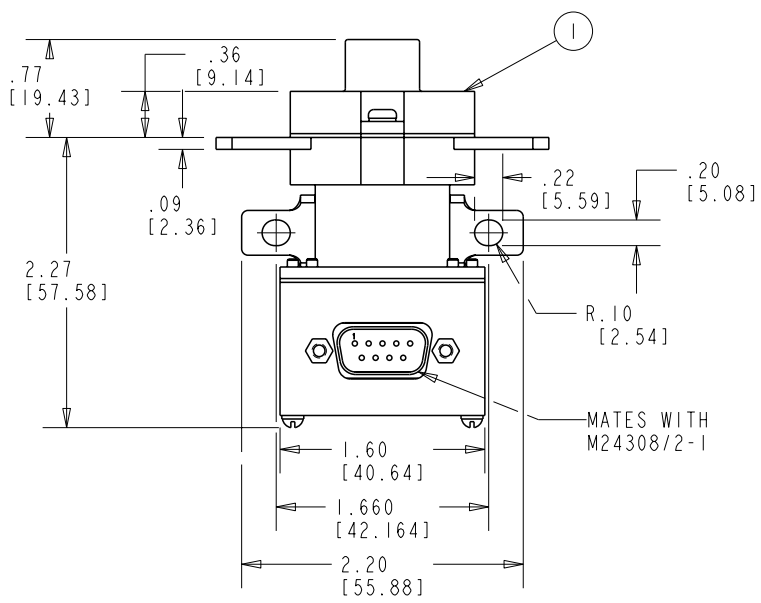
**LIFE MECHANICAL** 100,000 CYCLES MIN.

**MAX WEIGHT** .43 LBS (195g)

**NOTES**

1. AUXILIARY CONTACTS ARE GOLD PLATED.

2. 1 MILLIAMPERE RATING DOES NOT APPLY IF CONTACTS HAVE SWITCHED LOADS ABOVE 1 MILLIAMPERE



3	I	48103-002	SCHEMATIC DIAGRAM			8-1616990-3	
2	I	48102-004	NAME PLATE			9-1616977-1	
1	I	48057-050	PRIMARY ASSEMBLY			8-1616977-3	
FIND NO	QTY RECD	PART OR IDENTIFYING NO	NOMENCLATURE OR DESCRIPTION	DRAWING OR SPECIFICATION	FSCM NO	TE PART NO	MATERIAL OR NOTE
UNLESS OTHERWISE SPECIFIED DIMENSIONS ARE IN INCHES TOLERANCES ON			<p>Harman<sup>®</sup> Division 175 N. DIAMOND STREET MANSFIELD, OHIO 44902</p> <p>CONTACTOR - SPST N.O. DB 200 AMP, 28 VDC</p>				
2 PL DEC. 13 PL DEC. ANGLES							
±.06	±.010	± 1°	DR BY RV 15/08/06	<p>DWG NO. K200A3C</p>			
			CHK BY MDM 15/08/07				
			ENGR RSS 15/08/06				
			MFG DWA 15/08/10				
			SIZE A	CODE IDENT 74063	REF TE PN 8-1616977-1		
			SCALE NONE	SHEET 1 OF 1			