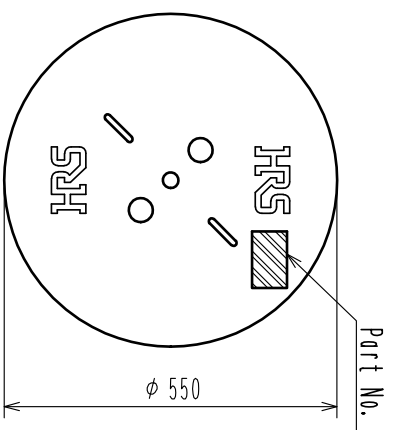


2 Style and Dimension of Reel



Detail of part No. Label

品名コード		CL680-3024-2-07	検査
品名		DF60-1012PCCA(07)	
数量		900	検査
仕様			
LOT NO.			検査
継名目			
Section	Lot No.		検査
Specification	Quantity		
Part No.	Code No.		検査

NOTE 1. 1RL:900 Contacts.

- 2 Style of Reel and Box Shows in Figure.  
 3. Please be sure to check the form of crimping using a cable.  
 When you adjust Applicator.

NO.	MATERIAL	FINISH	REMARKS	NO.	MATERIAL	FINISH	REMARKS
1	COPPER ALLOY			1	COPPER ALLOY		・Contact Area Surface : Au Plating 0.2 $\mu$ m min Under Plating : Ni Plating 1 $\mu$ m min ・Others : Ni Plating 0.2 $\mu$ m min

UNITS	mm	SCALE	2 : 1
APPROVED	DESIGNED	CHECKED	DRAWN
16.06.07	16.06.07	16.06.07	16.06.07
HS. OKAWA	T.S. KUMAZAWA	T.S. FUKUSHIMA	T.S. KUMAZAWA

NO.	DESIGNED	CHECKED	DATE
1	16.06.07	16.06.07	16.06.07
NO.	DESIGNED	CHECKED	DATE
1	16.06.07	16.06.07	16.06.07

EDC-344820-07-00	DF60-1012PCCA(07)	CL680-3024-2-07
------------------	-------------------	-----------------