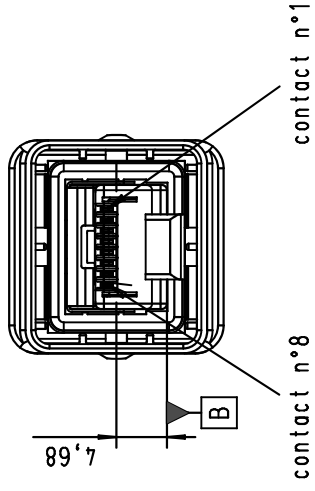
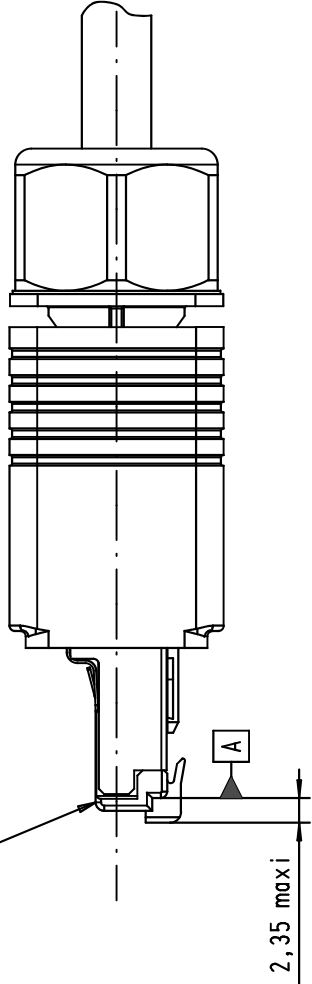
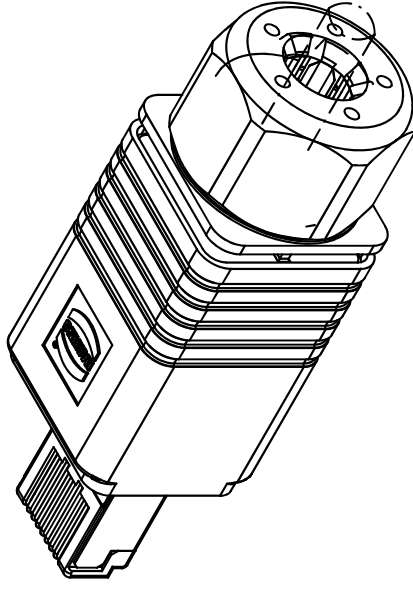
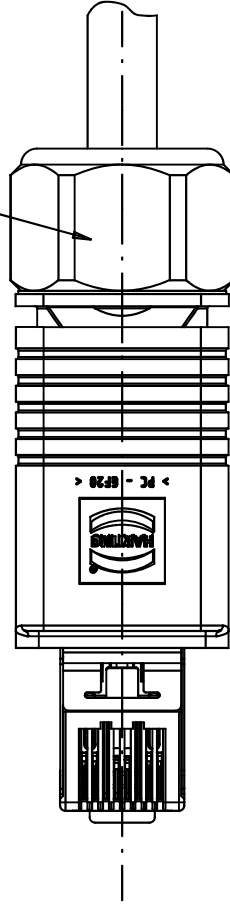


mating face according to IEC 60603-7



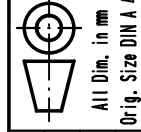
sealing gland and nut PG9



cable diameter: 4,9 to 8,6 mm
Stranded wire AWG 28/7-24/7

Data contact plating: Au 1,27 um over nickel

09 45 145 15 10 Data connector with Blue wires manager
09 45 145 15 00 Data connector with White wires manager



All Dim. in mm
Orig. Size DIN A 4

	Det.	Name
36298	20/05/04	A. Fakhrri
36295	26/04/11	JB
35656		
35652		

	SD	AB	AF	Name
09/05/12				
21/03/12				
16/02/09				
12/02/09				
20/05/04				

Mod. Dat. Name

RJ-Industrial
HARTING PushPull plastic RJ45
IP65/67 shielded plug cat6
with 8 data contacts



HARTING E.U.R.L
F-95972 Paris

TB 09 45 145 15X0
Sub.

Magstab/
Scale
1,5:1

Blatt/Page
1/1

Mouser Electronics

Authorized Distributor

Click to View Pricing, Inventory, Delivery & Lifecycle Information:

HARTING:

[09451451500XL](#) [09451451510XL](#)