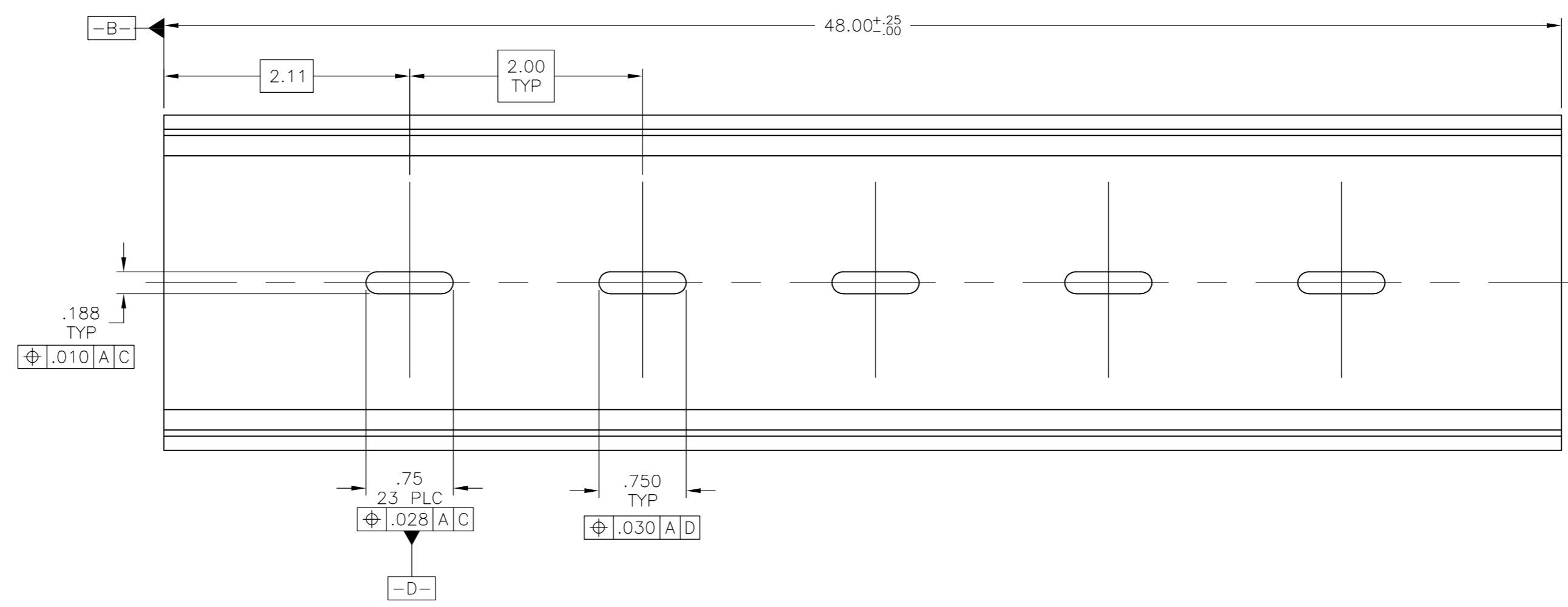
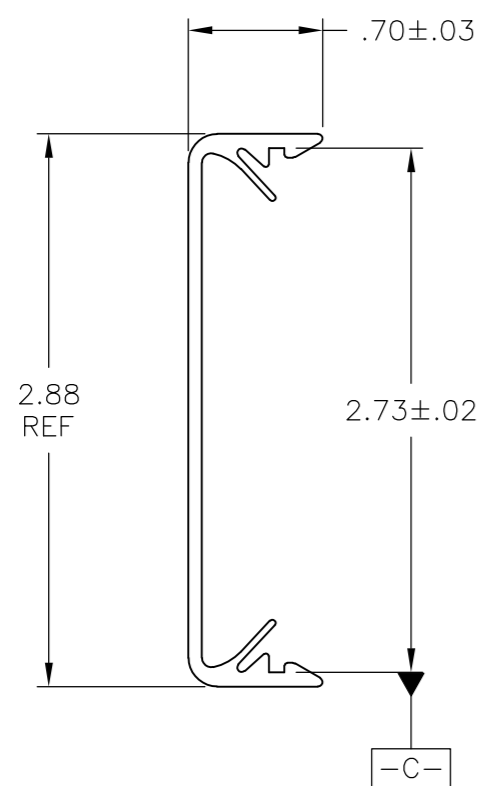


THIS DRAWING IS UNPUBLISHED. RELEASED FOR PUBLICATION  
 © COPYRIGHT - By - ALL RIGHTS RESERVED.

LOC	DIST	REVISIONS			
P	LTR	DESCRIPTION	DATE	DWN	APVD
FT	0	B	REVISED PER ECO-13-012297	31JUL2013	KH MB

- 1 MATERIAL: RIGID PVC, COLOR: GRAY.
- 2. DESIGNED FOR 2.75 PC BOARD WIDTH.



1-1437685-3  
 PART NUMBER

THIS DRAWING IS A CONTROLLED DOCUMENT.		DWN	S SCHLEGEL	3/4/08	<b>TE</b> TE Connectivity	
DIMENSIONS: INCHES		CHK	C WARNER	3/4/08		
		APVD	C WARNER	3/4/08		
		TOLERANCES UNLESS OTHERWISE SPECIFIED:		NAME		2TK2-48 SNAPTRACK
0 PLC ± - 1 PLC ± - 2 PLC ± .02 3 PLC ± .010 4 PLC ± - ANGLES ± -		PRODUCT SPEC		SIZE	A2	
MATERIAL -		FINISH -		APPLY SPEC	CAGE CODE	00779
		WEIGHT -		RESTRICTED TO	DRAWING NO	1-1437685-3
		CUSTOMER DRAWING		SCALE	NTS	SHEET 1 of 1
				REV	B	

1-1437685-3