



Single Port Vertical Mount RJ45

ARV11-4311



- 10/100 BaseT for LAN and other Ethernet Applications
- Compliant to IEEE802.3 Standard
- RJ45 Jack Cavity confirms to FCC rules and regulations part 68, sub part F
- Standard Operating Temp: 0°C to +70°C

Electrical Specifications @ 25°C

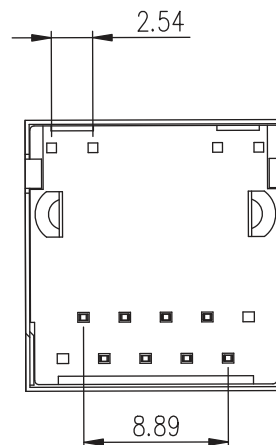
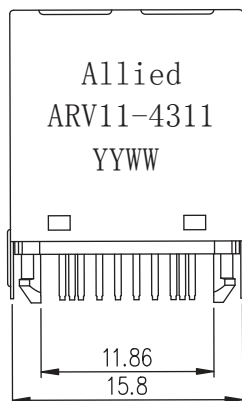
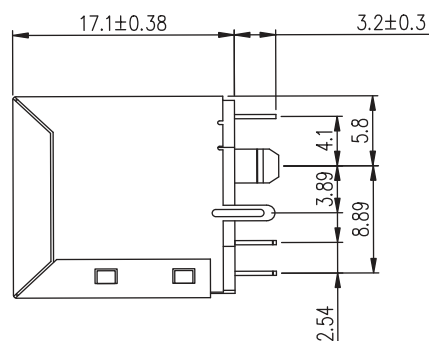
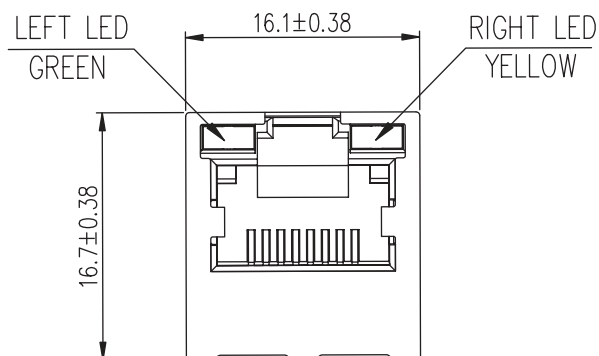
| Part Number | OCL(uH Min) @ 100kHz, 0.1V | Turns Ratio chip: cable | | Insertion Loss (dB Max) | Return Loss (dB Min) | | |
|-------------|-------------------------------|----------------------------|--------------|----------------------------|-------------------------|----------|----------|
| | With 8mA DC Bias | P1-P3: J1-J2 | P4-P6: J3-J6 | 1-100MHz | 1-30MHz | 30-60MHz | 60-80MHz |
| ARV11-4311 | 350 | 1:1±5% | 1:1±5% | -1.0 | -18 | -16 | -12 |

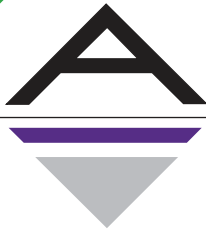
Electrical Specifications @ 25°C

| Cross Talk (dB Min) | CMR (dB Min) | HI-POT (Vrms) |
|------------------------|-----------------|------------------|
| 1-100MHz | 1-100MHz | 1.0mA/60Sec. |
| -30 | -30 | 1500 |

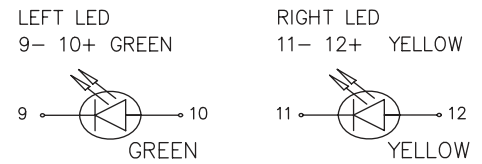
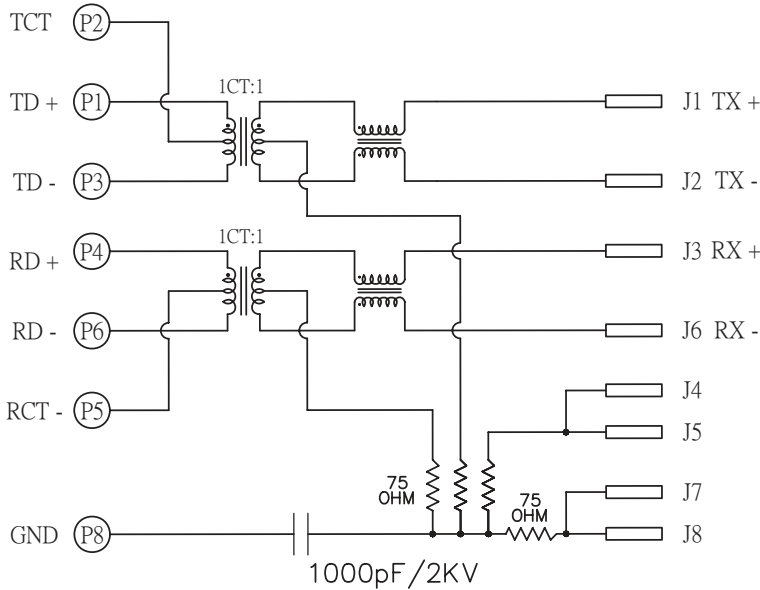
All specifications subject to change without notice.

MECHANICAL





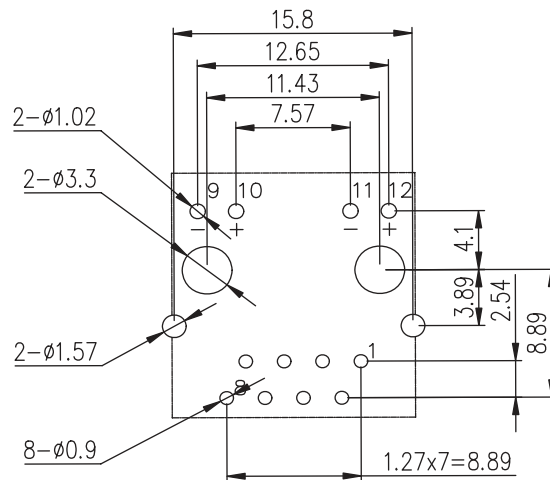
SCHMATICS



| STANDARD LED | WAVELENGTH | FORWARD VOLTAGE |
|--------------|------------|-----------------|
| GREEN | 565nm | 2.5V MAX |
| YELLOW | 585nm | 2.5V MAX |

With a forward current of 20mA

PCB LAYOUT



NOTES

- 1. Shielded- 0.20mm THICKNESS BRASS.
PLATING NICKEL 20u"MIN.
- 2. Housing- PA66 30%GF, UL 94 V-0, BLACK.
- 3. Contact Pin- Plastic: PBT, UL 94 V-0, BLACK.
Pin: 0.35mm Thickness Phos-Bronze.
Plating: Nickel 30u"~60u" for all Sn 100%,
and Gold Plating 6u".
- 4. Insert Pin- Plastic: PBT, UL 94 V-0, BLACK.
Pin: 0.35mm Thickness SUS430,
Plating: Nickel 30u"~60u" for all and Sn 100%.