

NOTES:

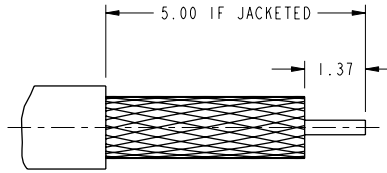
1. MATERIALS AND FINISHES:
 BODY - BeCu, GOLD PLATING
 CONTACT - BeCu, GOLD PLATING
 INSULATOR - PTFE
2. ELECTRICAL:
 A. IMPEDANCE: 50 OHM
 B. FREQUENCY RANGE: DC - 35 GHz
3. MECHANICAL:
 A. DURABILITY: 100 CYCLES, MIN.
 B. TEMPERATURE RANGE: -65° C TO +165° C
4. PACKAGING:
 A. QUANTITY: SINGLE PACK
 B. MARKING: BAG TO BE MARKED
 "AMPHENOLRF, 925-124P-51S, AND DATE CODE"
5. CABLE ASSEMBLY INSTRUCTIONS:
 A. TRIM CABLE AS SHOWN
 B. SLIDE INSULATOR DISC OVER THE CABLE CENTER CONDUCTOR.
 C. SOLDER CENTER CONTACT TO CABLE CENTER CONDUCTOR
 D. SOLDER OUTER CONDUCTOR OF CABLE TO REAR BODY.

6 SHOWS CABLE ENTRY DIMENSIONS

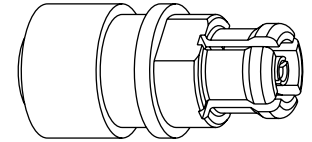
THIRD ANGLE PROJ.

REVISIONS

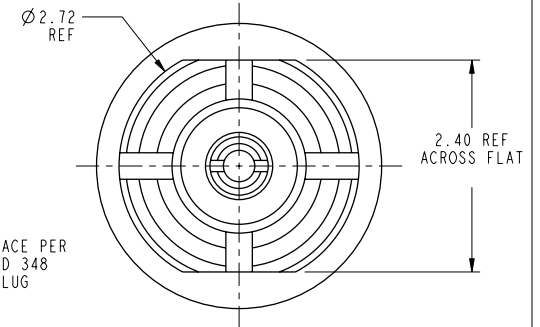
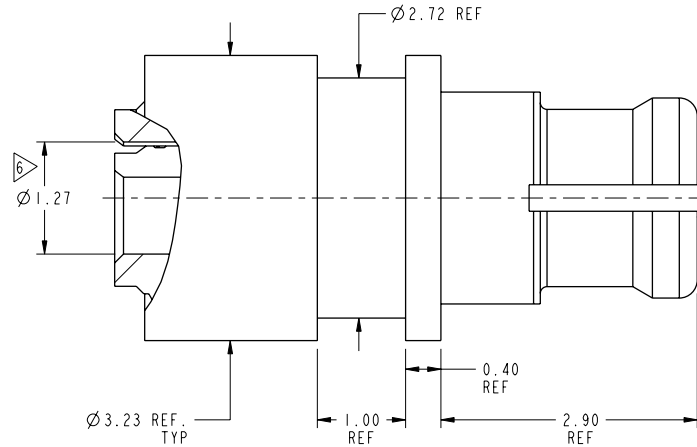
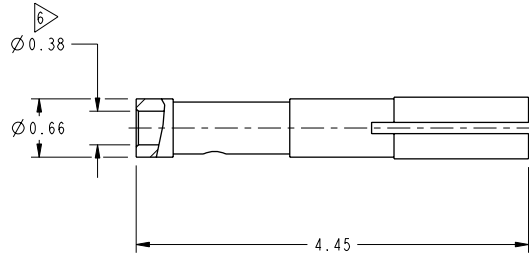
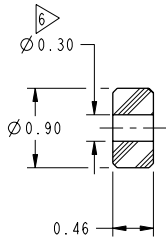
REV	DESCRIPTION	DATE	ECO	APPR
A	RELEASE TO MFG.	01-Mar-13	49467	FW
B	UPDATED INSULATOR, BODY AND STRIPPING DIMENSIONS /RD-DMI4022601Z	06-Mar-14	49877	SH
C	Ø0.38 WAS Ø0.33/RD-DMI4081401M3	26-Aug-14	50086	SH



**RECOMMENDED
CABLE STRIPPING DIMENSIONS**



SCALE 8.000



CUSTOMER OUTLINE DRAWING

ALL OTHER SHEETS ARE FOR INTERNAL USE ONLY

UNLESS OTHERWISE SPECIFIED, DIMENSIONS ARE IN METRIC AND TOLERANCES ARE:
 <0.5mm ±0.05mm 0.5 - 6mm ±0.1mm 6 - 30mm ±0.2mm 30 - 120mm ±0.3mm ANGLES ±1°

NOTICE - These drawings, specifications, or other data (1) are, and remain the property of Amphenol Corp. (2) must be returned upon request; and (3) are confidential and not to be disclosed to any person other than those to whom they are given by Amphenol Corp. the furnishing of these drawings, specifications, or other data by Amphenol Corp., or to any other person to anyone for any purpose is not to be regarded by implication or otherwise in any manner licensing, granting rights to permitting such holder or any other person to manufacture, use or sell any product, process or design, patented or otherwise, that may in any way be related to or disclosed by said drawings, specifications, or other data.

MATERIAL	SEE NOTES	DRAWN	M. DONG	DATE	26-Aug-14	TITLE	SMPM, PLUG FOR .047" CABLE	Amphenol RF www.amphenolrf.com
REFERENCE	EAR # 4691	ENGINEER	R. RAJAN	DATE	31-Jul-12			
CONFIGURATION LEVEL:	□□□□	APPROVED	S. HSIEH	DATE	26-Aug-14	SCALE: 17.0:1.0	SHEET 2 OF 2	DRAWING NO. 925-124P-51S
FINISH		CAD FILE				DWG SIZE	REV	ITEM NO. 925-124P-51S
						B	C	PART NO. 925-124P-51S