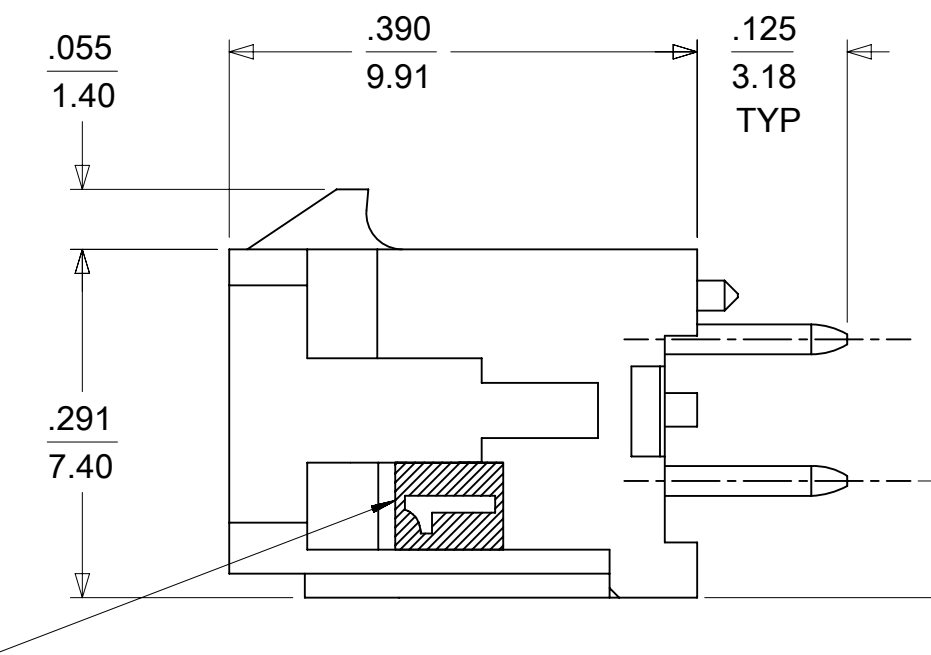
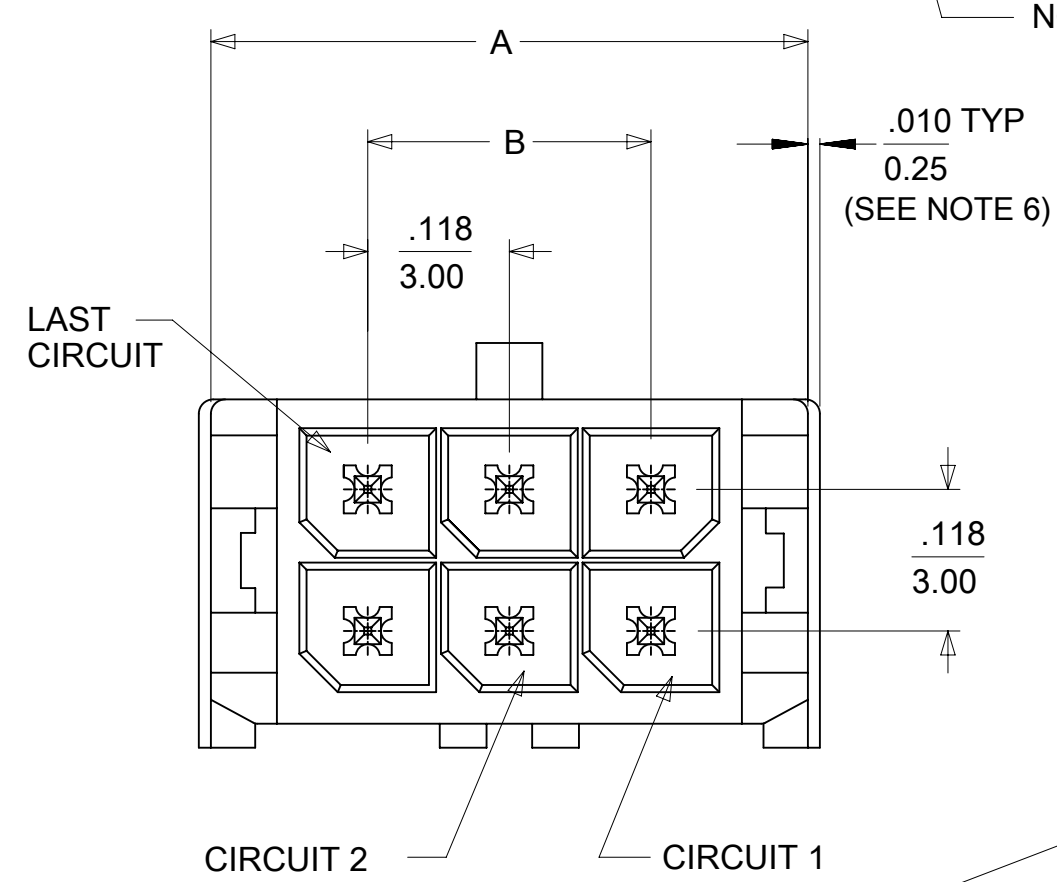


PCB LAYOUT: COMPONENT SIDE  
RECOMMEND PCB THICKNESS: .062/1.57

NOTE : (2) POLARIZATION PEGS ARE SHOWN.  
HOWEVER, ASSEMBLIES MAY BE MANUFACTURED  
WITH (1) PEG ONLY.



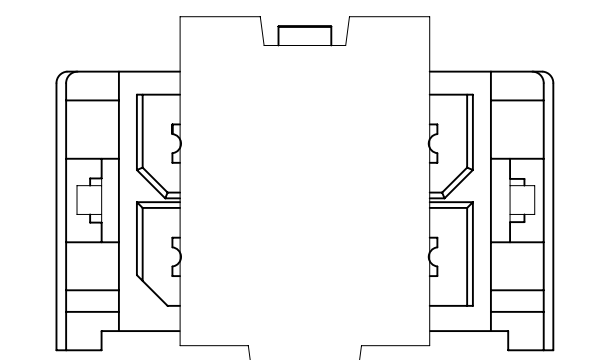
CIRCUIT "1" IDENTIFIED ON THIS SURFACE  
(APPROX. LOCATION SHOWN FOR REF.)

NOTES:

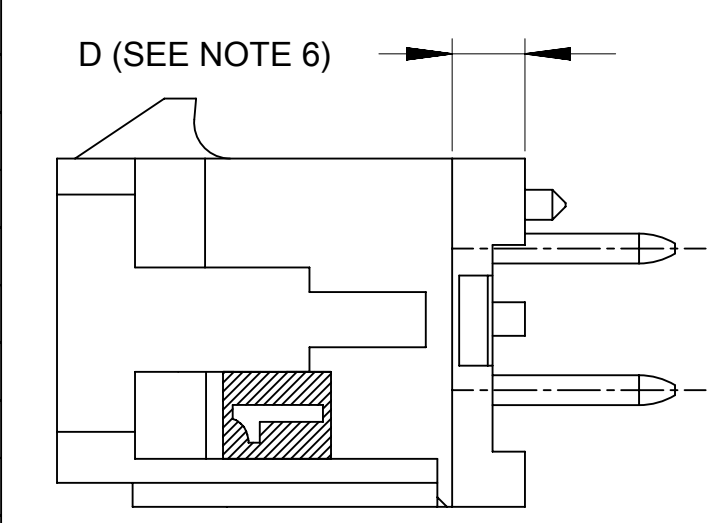
- HOUSING MATERIAL: GLASS FILLED LIQUID CRYSTAL POLYMER, UL94V-0, COLOR-BLACK  
TERMINAL MATERIAL: BRASS ALLOY
- FINISH: A = .000060/(0.00152) MIN. REFLOWED MATTE TIN OVER  
.000050/(0.00127) MIN. NICKEL PLATE.  
(FINISH IS BRIGHT IN APPEARANCE, THICKNESS AS APPLIED  
PRIOR TO REFLOW)  
B = .000015/(0.00038) MIN. SELECT GOLD IN CONTACT AREA;  
.000100/(0.00254) MIN. SELECT MATTE TIN ON SOLDER TAILS;  
BOTH OVER .000050/(0.00127) MIN. NICKEL PLATE.  
C = .000030/(0.00076) MIN. SELECT GOLD IN CONTACT AREA;  
.000100/(0.00254) MIN. SELECT MATTE TIN ON SOLDER TAILS;  
BOTH OVER .000050/(0.00127) MIN. NICKEL PLATE.  
D = .000100/(0.00254) MIN. MATTE TIN OVER  
.000050/(0.00127) MIN. NICKEL PLATE.
- PRODUCT SPECIFICATION: PS-43045
- PACKAGING: TAPE & REEL (WITH DISPOSABLE CAPS) PER 430450008-PK.
- MATES WITH MICRO FIT (3.0) RECEPTACLE SERIES 43025
- CIRCUIT SIZES 2-6: "D" IS .265/6.74 FOR .010/0.25 STEP.  
CIRCUIT SIZES 8-24: "D" IS .063/1.60 FOR .010/0.25 STEP.
- THIS PART CONFORMS TO CLASS B REQUIREMENTS OF COSMETIC SPECIFICATION  
PS-45499-002.
- TEXT ON PART IS FOR REFERENCE ONLY. TEXT AND TEXT LOCATION  
MAY VARY DEPENDING ON PART NUMBER AND/OR TOOL.

CKTS	TOOLED	FINISH A MATERIAL NO:	FINISH B MATERIAL NO:	FINISH C MATERIAL NO:	FINISH D MATERIAL NO:
02	YES	43045-0291	43045-0302	43045-0321	43045-0307
04	YES	43045-0491	43045-0502	43045-0521	43045-0507
06	YES	43045-0691	43045-0702	43045-0721	43045-0707
08	YES	43045-0891	43045-0902	43045-0921	43045-0907
10	YES	43045-1091	43045-1102	43045-1121	43045-1107
12	YES	43045-1291	43045-1302	43045-1321	43045-1307
14	YES	43045-1491	43045-1502	43045-1521	43045-1507
16	YES	43045-1691	43045-1702	43045-1721	43045-1707
18	YES	43045-1891	43045-1902	43045-1921	43045-1907
20	YES	43045-2091	43045-2102	43045-2121	43045-2107
22	NO	43045-2291	43045-2302	43045-2321	43045-2307
24	YES	43045-2491	43045-2502	43045-2521	43045-2507

CKTS	A	B	C
02	.262 6.65	NA	.236 6.00
04	.380 9.65	.118 3.00	.354 9.00
06	.498 12.65	.236 6.00	.472 12.00
08	.616 15.65	.354 9.00	.591 15.00
10	.734 18.65	.472 12.00	.709 18.00
12	.852 21.65	.591 15.00	.827 21.00
14	.970 24.65	.709 18.00	.945 24.00
16	1.088 27.65	.827 21.00	1.063 27.00
18	1.206 30.65	.945 24.00	1.181 30.00
20	1.325 33.65	1.063 27.00	1.299 33.00
22	1.443 36.65	1.181 30.00	1.417 36.00
24	1.561 39.65	1.299 33.00	1.535 39.00



SHOWN WITH DISPOSABLE CAP  
SEE NOTE 4



THIS DRAWING CONTAINS INFORMATION THAT IS PROPRIETARY TO MOLEX ELECTRONIC TECHNOLOGIES, LLC AND SHOULD NOT BE USED WITHOUT WRITTEN PERMISSION

SYMBOLS	DIMENSION UNITS	SCALE	CURRENT REV DESC: MICROFIT PK SPEC REF
	IN/MM	NTS	
▽ = 0	GENERAL TOLERANCES (UNLESS SPECIFIED)		EC NO: 611607 DRWN: SALHAMY 2018/12/28 CHK'D: SSOUSEK 2019/08/09 APPR: FSMITH 2019/08/15
	4 PLACES ±	MM INCH	
▽ = 0	3 PLACES ±	± 0.01	INITIAL REVISION: DRWN: GMARANANI 2010/10/07 APPR: FSMITH 2010/12/29
	2 PLACES ±	0.25 ± 0.014	
▽ = 0	1 PLACE ±	0.36 ±	THIRD ANGLE PROJECTION
	0 PLACES ±	±	
▽ = 0	ANGULAR TOL	± 0.5 °	DRAWING SERIES
▽ = 0	DRAFT WHERE APPLICABLE MUST REMAIN WITHIN DIMENSIONS		C-SIZE 43045

DOCUMENT NUMBER				DOC TYPE	DOC PART	REVISION
SD-43045-033				PSD	001	A7
MATERIAL NUMBER		CUSTOMER		SHEET NUMBER		
SEE CHART		GENERAL MARKET		1 OF 1		