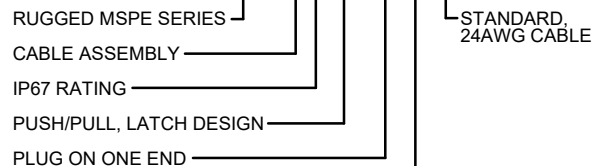


REVISIONS			
REV	DESCRIPTION, ECN, EAR NO.	DATE	APP'D
A	PRODUCT DRAWING (EAR 15028)	JAN28/22	K.L.

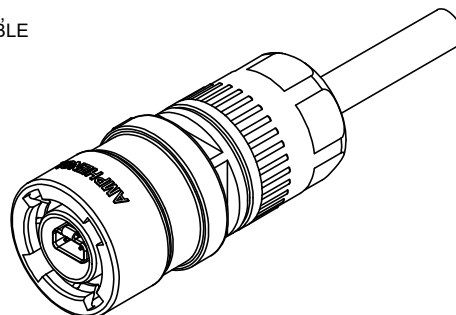
CONTACT POSITION	SIGNAL PER IEC 63171-6	WIRE INSULATION COLOUR
1	BI_DA+	BLUE
2	BI_DA-	WHITE

**ORDERING CODE: MSPE - C 6 P 2 - A XX 10**



CABLE LENGTHS (DIMENSION 'A')	
	LENGTH IN CM
A0 TO A9	1 METER + 0 TO 9 DECIMETERS
B0 TO B9	2 METERS + 0 TO 9 DECIMETERS
C0 TO C9	3 METERS + 0 TO 9 DECIMETERS
D0 TO D9	4 METERS + 0 TO 9 DECIMETERS
E0 TO E9	5 METERS + 0 TO 9 DECIMETERS
F0 TO F9	6 METERS + 0 TO 9 DECIMETERS
G0 TO G9	7 METERS + 0 TO 9 DECIMETERS
H0 TO H9	8 METERS + 0 TO 9 DECIMETERS
J0 TO J9	9 METERS + 0 TO 9 DECIMETERS
K0 TO K9	10 METERS + 0 TO 9 METERS
L0 TO L9	20 METERS + 0 TO 9 METERS
M0 TO M9	30 METERS + 0 TO 9 DECAMETERS

CABLE LENGTH ORDERING CODE EXAMPLES:  
75cm = F5    6.3m = F3    25m = L5    80m = M5



**NOTES:**

- MATERIALS: ALL MATERIALS ARE RoHS COMPLIANT PER EU DIRECTIVE 2011/65/EU AND AMENDMENTS.**
  - HOUSING, CAP, GLAND, & INSERTS: ENGINEERING THERMOPLASTIC, UL94V-0 FLAMMABILITY RATING, COLOUR: BLACK
  - EMI SHIELD: STAINLESS STEEL PLATED WITH NICKEL
  - CONTACTS: COPPER ALLOY PLATED WITH NICKEL OVERALL, 0.76µm (30µ") GOLD ON THE MATING AREA AND GOLD FLASH ON THE TAILS
  - O-RING & GROMMET: SILICONE RUBBER, COLOUR: BLACK
  - RETAINING RING & WAVE SPRING: STAINLESS STEEL, PASSIVATED
  - CABLE: STRANDED 24 AWG COPPER, PE INSULATION, FOIL WRAPPED TWISTED PAIR, OVERALL BRAID, PUR JACKET
- DESIGNED IN ACCORDANCE WITH IEC**
  - STANDARDS 63171-6 & 61076-2-010. COMPATIBLE WITH:
  - IEEE 802.3cg, 10BASE-T1L & -T1S
  - IEEE 802.3bw, 100BASE-T1
  - IEEE 802.3bp, 1000BASE-T1
  - IEEE 802.3bu, POWER OVER DATA LINES (PoDL)
- ENVIRONMENTAL CHARACTERISTICS:**
  - OPERATING TEMPERATURE: -40°C TO +85°C
  - IP67 RATED PERFORMANCE PER IEC 60529, IN MATED CONDITION.
- ELECTRICAL CHARACTERISTICS:**
  - CURRENT RATING: 4A
  - VOLTAGE RATING: 60VDC
  - CONTACT RESISTANCE: 20mΩ MAX
  - DIELECTRIC WITHSTANDING VOLTAGE:
    - 1000VDC CONTACT TO CONTACT
- FOR MATING RECEPTACLE INFORMATION PLEASE REFER TO SALES DRAWINGS P-MSPE-J6P2-M02, P-MSPE-J6P2-E00 OR P-MSPE-J6P2-B02**



UNLESS SPECIFIED OTHERWISE	DRAWN	R. DAMICO	JAN6/22
PRIMARY UNITS MILLIMETRES	CHECKED	K. LAMBIE	JAN28/22
SECONDARY UNITS INCHES	M.E. APP'D		
REFERENCE IN PARENTHESES	Q.A. APP'D		
GENERAL TOLERANCES	DWG APPR.		
1 DECIMAL PLACE	ENG. REL. NO.	EAR 15028	
2 DECIMAL PLACES	REF.		
3 DECIMAL PLACES	THIRD ANGLE PROJECTION		
ANGULAR DEGREES	DO NOT SCALE DRAWING		

**Amphenol Canada Corp.**  
Commercial Products

MSPE SERIES SINGLE PAIR ETHERNET CABLE ASSEMBLY, IP67 PLUG ON ONE, END, PUSH/PULL, 24 AWG CABLE, VARIOUS LENGTHS, RoHS COMPLIANT

DWG. NO. **P-MSPE-C6P2-AXX10** REV **A**

CODE ID NO. 03554 DWG SIZE: X SCALE: 3:1 SHEET 1 OF 1