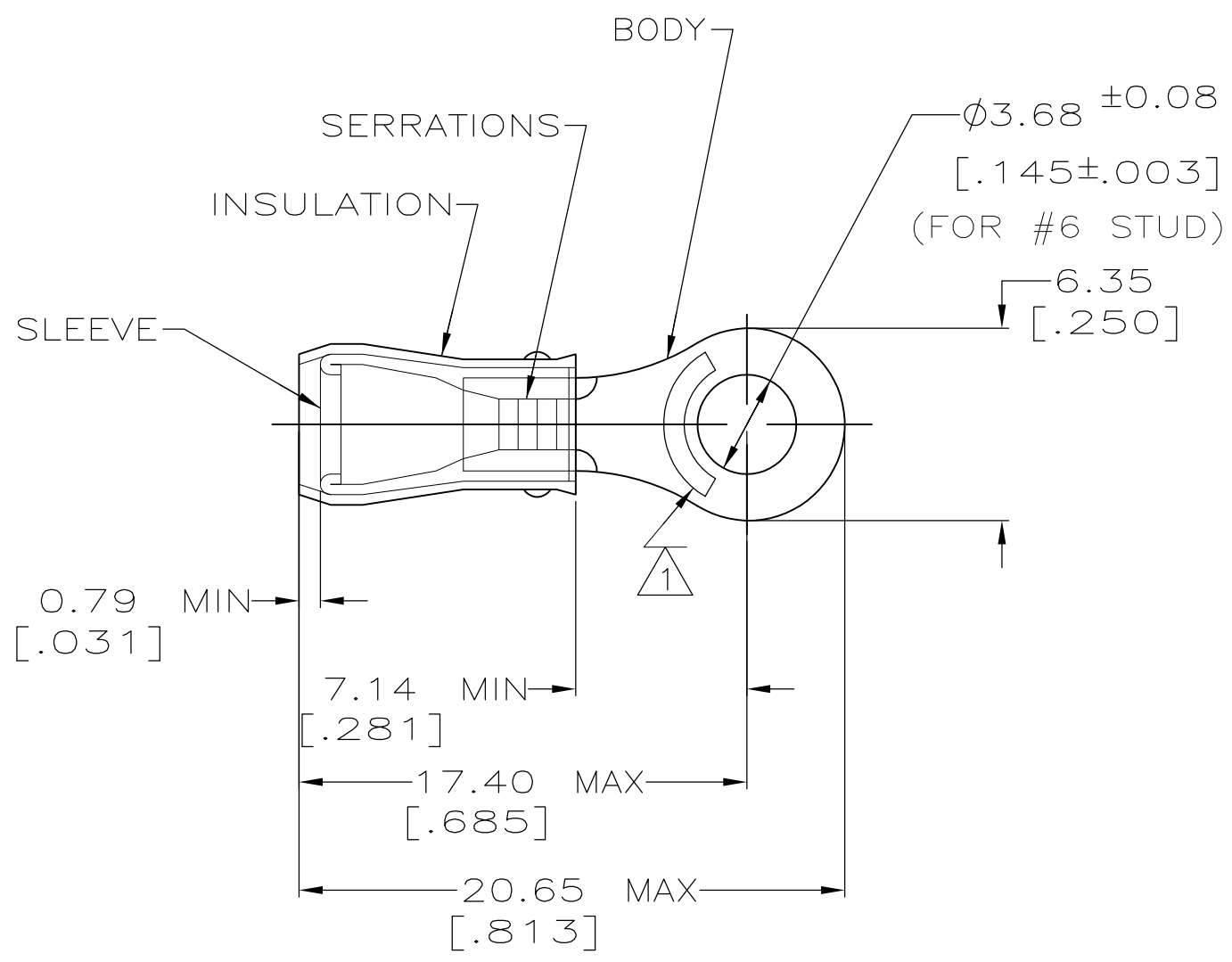


THIS DRAWING IS UNPUBLISHED. RELEASED FOR PUBLICATION
 © COPYRIGHT - By - ALL RIGHTS RESERVED.

LOC	DIST	REVISIONS					
		P	LTR	DESCRIPTION	DATE	DWN	APVD
G	14		H1	REVISED PER ECO-11-004917	11MAR11	RK	HMR



AMP WIRE RANGE	E13288	LR7189 Certified
16-14 AWG SOLID OR STRANDED	16-14 AWG SOLID OR STRANDED	16-14 AWG SOLID OR STRANDED

- 1 STAMP AMP 16-14* APPROX AS SHOWN
- 2 WIRE INSUL DIA, 2.92-4.32 [.115-.170]
- 3 TONGUE MATERIAL THK, 0.79±0.05
[.031±.002]

---	-----	-----
---	-----	-----
5000	ON TAPE, REEL	50881-2
1000	LOOSE PIECE	50881
QTY	PACKAGE TYPE	PART NO

AMP INCORPORATED CUSTOMER SERVICE SYSTEM		MAX RECOMMENDED OPERATING TEMPERATURE: 105° C [221° F]	THIS DRAWING IS A CONTROLLED DOCUMENT.		DWN M ELLIS 28SEP95	TE Connectivity			
FOR ADDITIONAL PRODUCT INFORMATION OR COPIES OF DRAWINGS AND TECHNICAL DOCUMENTS	PRODUCT INFORMATION CENTER 1-800-522-6752		VOLTAGE RATING: 300 V MAX	DIMENSIONS: mm [INCHES]	TOLERANCES UNLESS OTHERWISE SPECIFIED:				
FOR APPLICATION TOOLING INFORMATION	TOOLING ASSISTANCE CENTER 1-800-722-1111	CIRCULAR MIL AREA: 1.04mm ² -2.62mm ² [2050-5180]		0 PLC ± - 1 PLC ± - 2 PLC ± 0.20[.008] 3 PLC ± - 4 PLC ± - ANGLES ± -	APVD N BIRCH 28SEP95	PRODUCT SPEC UL 486A			
FOR ORDER ENTRY	1-800-526-5142		MATERIAL BODY,SLV,COPPER PER ASTM B 152 INSUL,NYLON,COLOR,BLUE	FINISH BODY & SLV,TIN PLATE PER MIL-T-10727	APPLICATION SPEC -	SIZE A3	CAGE CODE 00779	DRAWING NO C-50881	RESTRICTED TO -
CUSTOMER DRAWING					WEIGHT -	SCALE 4:1	SHEET 1 OF 1	REV H1	