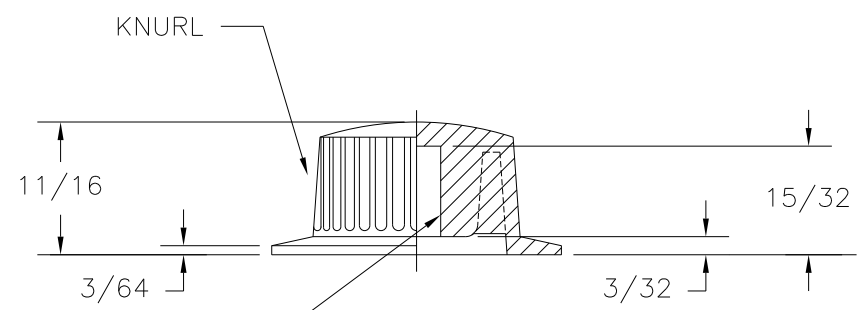
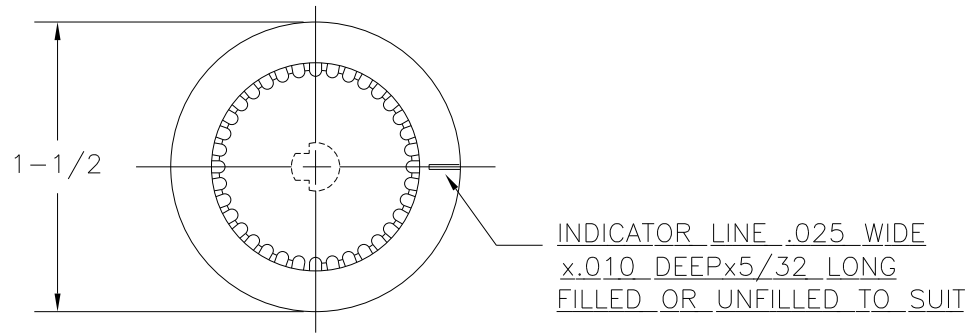


PART NAME: KNOB SCALE: 1:1 DATE: 3/14/96 DR. BY TD

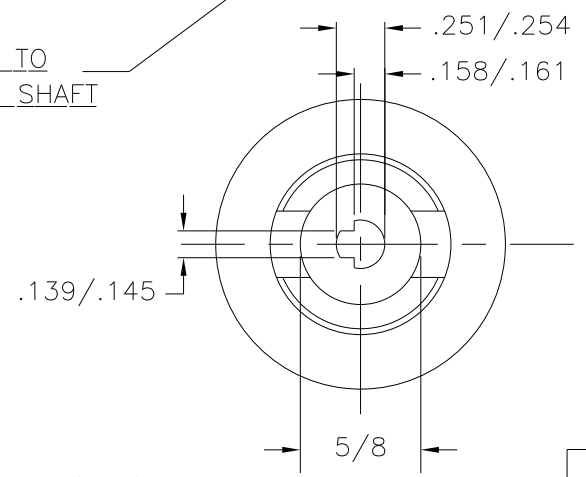
THIS DRAWING IS THE PROPERTY OF DAVIES MOLDING COMPANY, IS SUBMITTED SOLELY AS A DESIGN OR ENGINEERING PROJECT.
 WE ACCEPT NO RESPONSIBILITY WHATSOEVER FOR THE PRACTICAL APPLICATION OF THE PIECES MADE TO THIS DESIGN.

DAVIES MOLDING COMPANY
 CAROL STREAM, ILLINOIS 60188

P/N 1600BH
 BASE PART 1600-03
 SPRING I0476



SPRING INSERT I-476 TO ACCOMODATE 1/4 DIA. SHAFT FLATTED TO 5/32



MATERIAL: G.P. PLENCO PHENOLIC (B11)
 COLOR: BLACK

TOLERANCES: UNLESS OTHERWISE SPECIFIED	DO NOT SCALE DRAWING			
DECIMALS: X.XXX ± .005 X.XX ± .015	MM: X.XX ± 0.15MM X.X ± 0.4MM	-	UPDATED/HAD TOOLBOX	EV. 7/26/02
FRACTIONS ± 1/64	ANG. ± 1°	CHANGES		