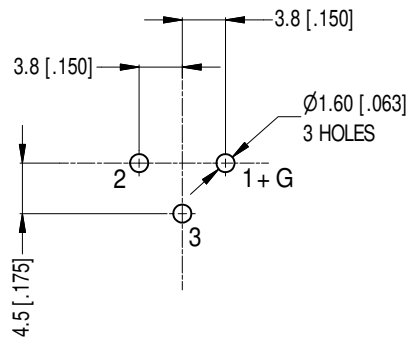


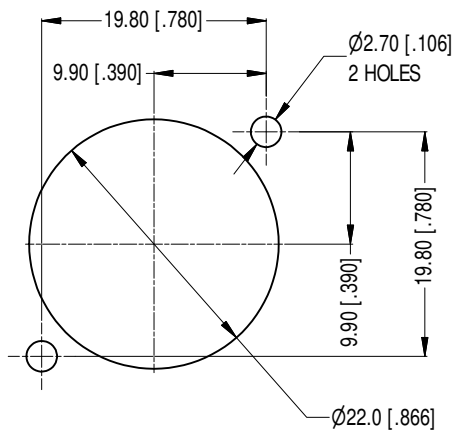
MIN MOUNTING PITCH (1:1)



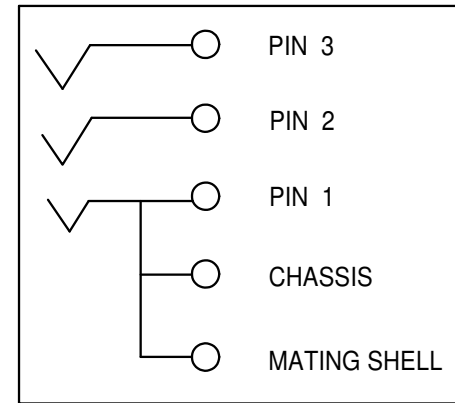
PCB LAYOUT

LAYOUT TOLERANCE : $\pm 0.05 [\pm .002 \text{ in}]$

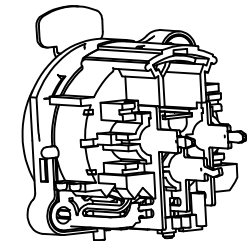
NOTE: DIMENSIONS IN PARENTHESES ARE IN INCHES.



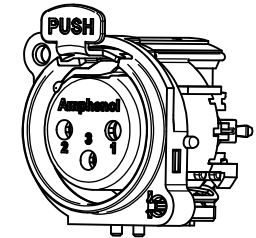
PANEL CUT OUT
REAR VIEW



SCHEMATIC CHART



3D VIEW (1:1)



NOTE: SUFFIX "B" IN THE PART No. INDICATES BULK PACK

UNLESS OTHERWISE SPECIFIED TOLERANCE TO BE:		THIS DOCUMENT IS THE PROPERTY OF AMPHENOL AUSTRALIA PTY. LTD. NO PART THEREOF MAY BE REPRODUCED AND USED WITHOUT THE PRIOR WRITTEN CONSENT OF THE OWNER			
LINEAR	ANGULAR	CAD FILE	DRN:	T.N	DATE: 17/04/07
X ±	X° ± 1	55010493000221	CKD:	P.M	DATE: 07/04/09
X.X ±	X.X° ± 30°	MATL:	REFER TO COMPONENTS	APPD:	P.M
X.XX ±	X.XX° ± 15°	DO NOT SCALE	FINISH: REFER TO COMPONENTS	SCALE:	3:2
DIMENSIONS IN MILLIMETRES		THIRD ANGLE PROJECTION	PART No:	AC3FBV1-AU-B	SIZE: A4

REV	DESCRIPTION	DATE	BY	CHG NO
2	ADD SUFFIX B TO PART No.	27/08/15	T.N	9318
1	CHANGE PUSH LEVER & LATCH SPRING	18/12/08	A.O	8793
0	FIRST ISSUE	03/09/07	T.N	8686

TITLE:		Amphenol	
XLR FEMALE B TYPE CONNECTOR CUSTOMER DWG		Amphenol Australia Pty.Ltd. 2 Fiveways Blvd. Keysborough, Vic3173	
DRAWING NO.		SHEET	
55010493-000-2		2/2	