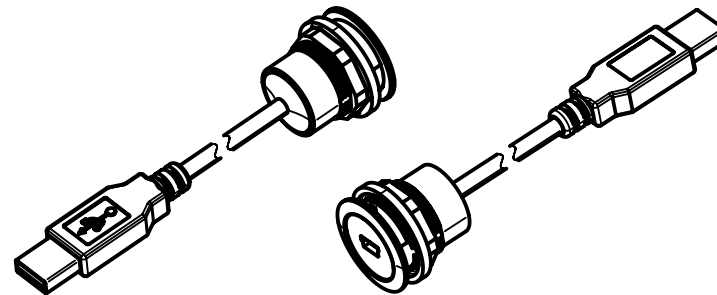
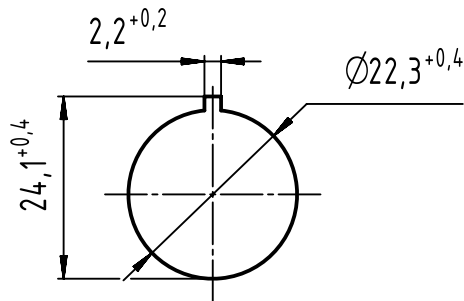



PANEL CUT DIMENSIONS



Length A	Part number
0,5 m	09 45 452 1940
1,0 m	09 45 452 1941
1,5 m	09 45 452 1942
2,0 m	09 45 452 1943
3,0 m	09 45 452 1944
5,0 m	09 45 452 1945

		All Dimensions in mm Original Size DIN A4		Scale 1:1		Free size tol.		Ref. Sub.			
All rights reserved Department EC PD - RO		Created by TAMAS		Inspected by AVRAM		Standardisation HOFFMANN		Date 2016-11-25		State Final Release	
HARTING Electronics GmbH D-32339 Espelkamp		Title har-port USB 2.0 Mini-B						Doc-Key / ECM-Nr. 100536613/UGD/001/B 500000111080			
		Type TB		Number 0945452194X				Rev. B		Page 1/1	