

MAGNASPHERE MSS -XXC & -XXR SERIES INSTALLATION INSTRUCTIONS: Concealed / Recessed Contacts

Required Tools and Components

Provided by Manufacturer (per module set)

- 1 MSS-XXC switch module
- 1 MSS-XXC magnet module

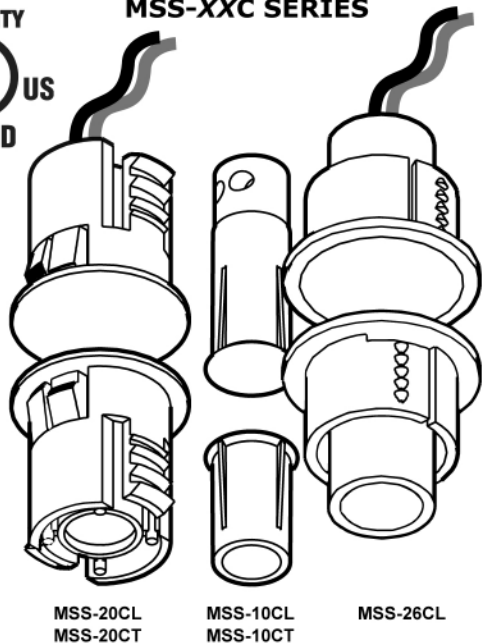
Provided by Installer

- Power drill
- Drill Bit
- † Adhesive
- Fasteners (for the ##R models)

SECURITY



MSS-XXC SERIES

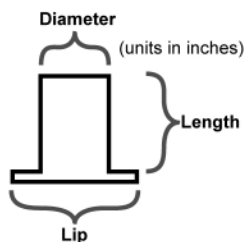
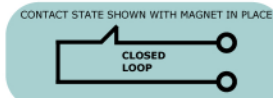


Specifications

Max Current: 0.25 A
Resistive
Max Voltage: 30 VDC
Max Power: .25 W Resistive
 The Magnasphere MSS-Concealed series is intended to be connected to a UL Listed compatible control panel for US applications and a ULC Listed compatible control panel for Canadian applications.

NOMENCLATURE GUIDE

Concealed/Recessed
 MSS - # # X X
 Size Class (Dia.)
 12" Wire Leads (default, if blank), Terminals



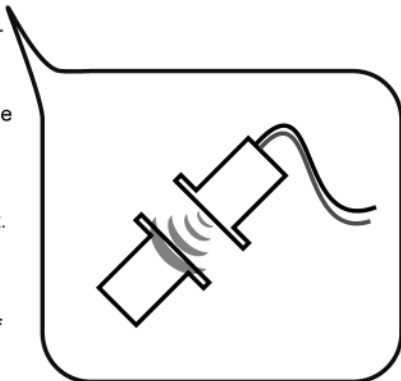
Model	Max Gap	Diameter	Length	Lip
MSS-26CL	.375	1.00	.88	1.20
MSS-20CL	.375	.75	.88	.93
MSS-20CT	.375	.75	.88	.93
MSS-10CL	.375	.38	.75	.43
MSS-10CT	.375	.38	.75	.43

Installation Plan & Switch Orientation

The MSS -XXC / -XXR should be mounted close to the latch side of the door for optimal performance; Up to 15" (38cm) from the doorknob/door-latch edge is recommended in order to meet UL 681 requirements: contact shall be installed so door cannot be opened more than 2 inches without causing an alarm. See table for operating gaps and recommended clearances. Ensure that the modules are well aligned. Before drilling, a careful layout of the site is recommended in order to achieve module alignment.

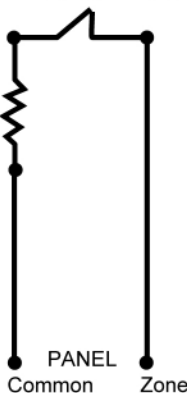
Test and wire the switch. Note that Magnasphere contacts have a directional, restricted sense zone for enhanced security.

Insert the switch module into the hole of the frame. Insert the magnet module into the hole in the door. †Adhesive (such as RTV) is recommended to assure a secure fit. Adhesive may be necessary for materials which are too thick for retaining barb deployment (wood or thick metal). Check the operation of the installed switch.

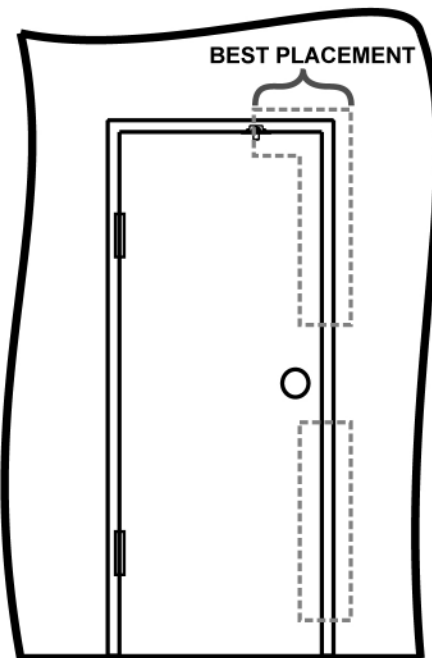


Closed-Loop Contact
 Check your alarm panel's documentation for settings

recommended End-Of-Line Resistor



BEST PLACEMENT



Models with "-RS#", "-RP#", or "-RS#P#" suffix have embedded End Of Line resistor/s of # value in kilo-Ohms.