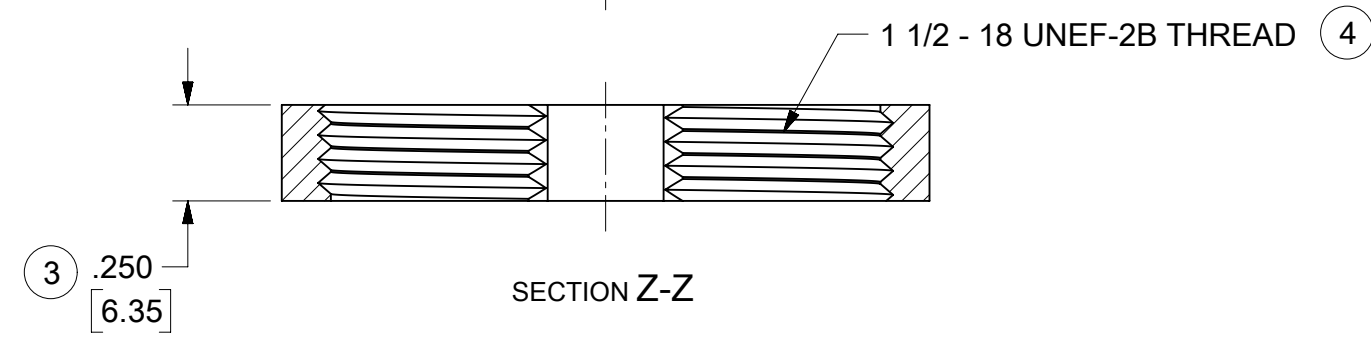


SCALE 1:1



- NOTE(S):
- MATERIAL: POLYESTER (PBT)
COLOR: BLACK
UL FLAMMABILITY RATING: UL94 V-0
 - USE WITH MOLEX XRC RECEPTACLE CONNECTORS SERIES 84502 AND 84508.
 - RECOMMENDED TORQUE: 45-55 IN-LB [5.1-6.2 N-M]
 - MATERIAL IS ROHS COMPLIANT.

LAST INSPECTION NO.: (4)

THIS DRAWING CONTAINS INFORMATION THAT IS PROPRIETARY TO MOLEX ELECTRONIC TECHNOLOGIES, LLC AND SHOULD NOT BE USED WITHOUT WRITTEN PERMISSION												
QUALITY SYMBOLS = 0 = 0 = 0 = 0 = 0 = 0 = 0 = 0 = 0	CAD MIGRATION EC NO: 120775 DRWN: CRAODOREMS CHK'D: SMCGREEVY REV APPR: JDWALLACE	GENERAL TOLERANCES (UNLESS SPECIFIED)		DIMENSION UNITS	SCALE							
				IN[MM]	2:1							
				DRWN BY	DATE							
				4 PLACES ±	±	B.RUPERT	02/22/2007	PANEL HEX NUT, SOCKET RECEPTACLE, 18 SHELL				
				3 PLACES ±	± 0.015	CHK'D BY	DATE					
				2 PLACES ± 0.38	± 0.03	JPAWLICKI	02/22/2007					
				1 PLACES ± 0.76	±	APPR BY	DATE	PRODUCT CUSTOMER DRAWING				
				0 PLACES ±	±	RDEROSS	02/22/2007					
				ANGULAR TOL ± 2.0		DRAWING SIZE	THIRD ANGLE PROJECTION	SERIES	MATERIAL NUMBER	CUSTOMER		
				DRAFT WHERE APPLICABLE MUST REMAIN WITHIN DIMENSIONS		B		84502	845020004	GENERAL MARKET		
						DOCUMENT NUMBER	DOC TYPE	DOC PART	SHEET NUMBER			
						SD-84502-008	PSD	001	1 OF 1			