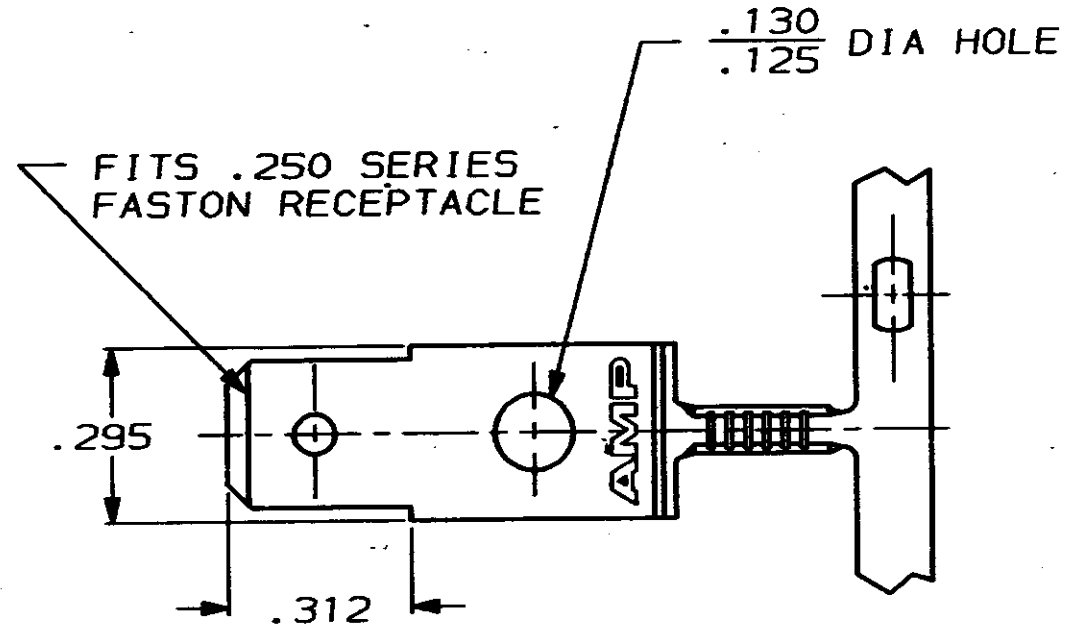
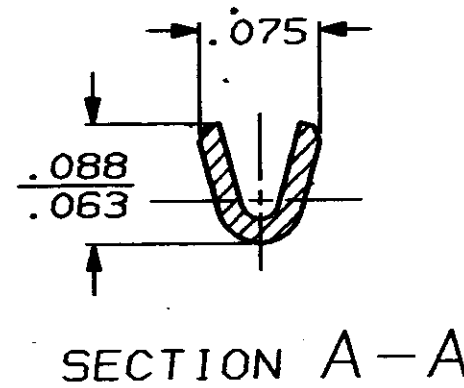
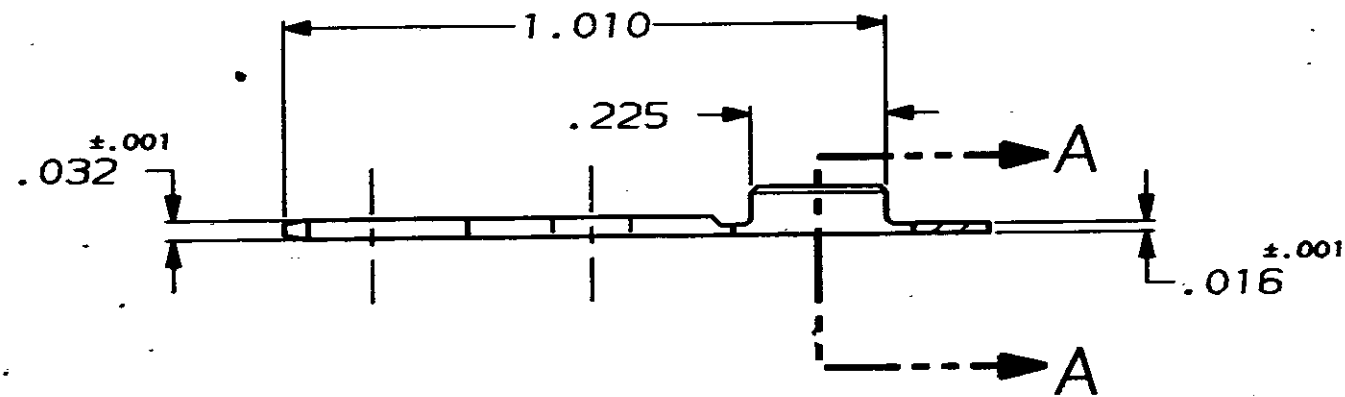


THIS DRAWING IS UNPUBLISHED. RELEASED FOR PUBLICATION ,19
 © COPYRIGHT 19 BY AMP INCORPORATED. ALL INTERNATIONAL RIGHTS RESERVED.

LOC	DIST	P	F	ZONE	LTR	DESCRIPTION	DATE	APPD
AF	50				B	RE-ACT & REL AF-5501	9/7/88	JR/RG



1 CONTINUOUS STRIP ON REELS.



DO NOT SCALE PRINT. UNLESS SPECIFIED DIMENSIONS IN INCHES TOLERANCES ON: 2 PLC DEC ± - 3 PLC DEC ± .010 ANGLES ± -		DR JR RUTH 12/15/87	200-566 CMA	63483-1
MATERIAL #2H BRASS PREMILLED		CHK M FEHER 12/16/87	WIRE SIZE	PART NO
FINISH TIN VARNISH RESIST		APPO C MEYERS 12/21/87	AMP INCORPORATED Harrisburg, Pa. 17105	
WARRANTY		APPO R KUZO 12/21/87		
APPLICATION SPEC		PRODUCT SPEC	NAME TAB, FASTON, AMPLIVAR, .250 SERIES	
WEIGHT		APPLIC. SPEC	SIZE B	FSCN NO 00779
			SCALE NTS	DRAWING NO 63483
				SHEET 1 OF 1