

DO NOT SCALE FROM THIS PRINT

DESIGNED & DIMENSIONED IN MILLIMETERS

ISS1-XX-L

ROW SPECIFICATION
-S: SINGLE ROW

OPTION
-L: POSITIVE LATCH

No OF POSITIONS
-02 THRU -05
-06 THRU -20

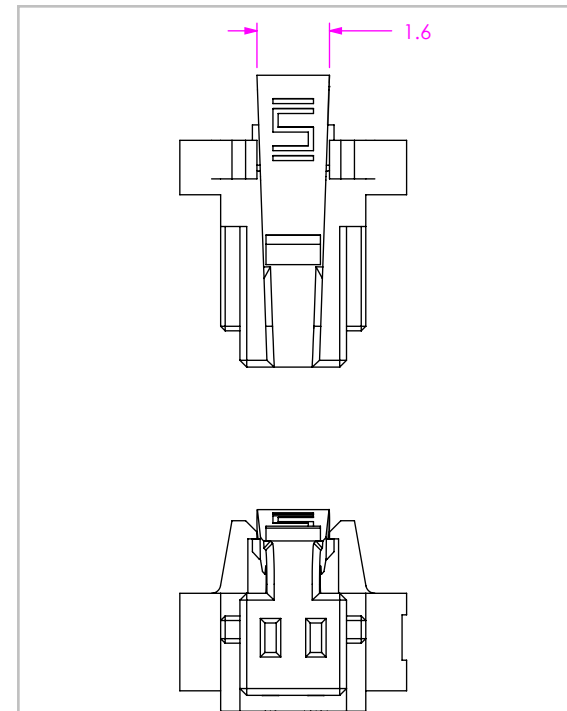
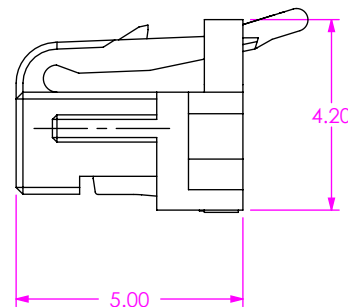
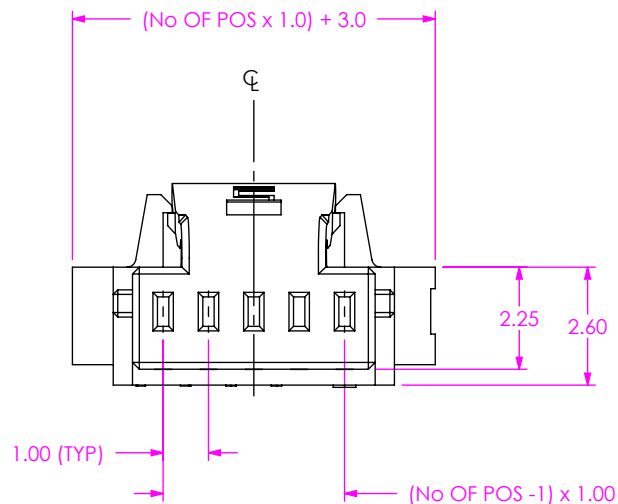
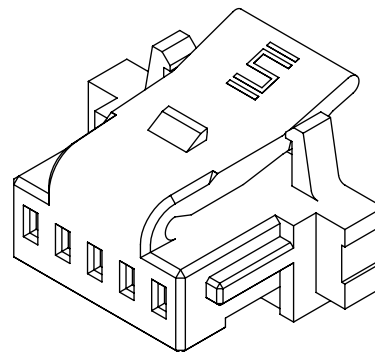
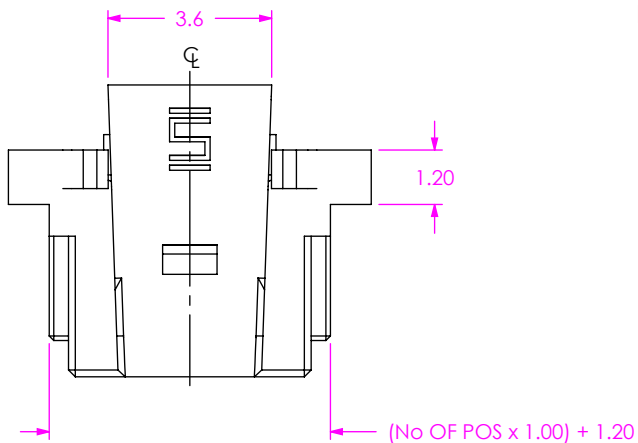
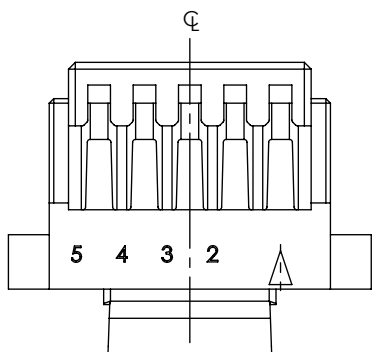


FIG 1
ISS1-05-L SHOWN

FIG 2
ISS1-02-L SHOWN
(DIFFERENT AS SHOWN, OTHERWISE SAME AS FIG 1)
(FOR POSITIONS -02 THRU -04)



UNLESS OTHERWISE SPECIFIED, DIMENSIONS ARE IN MILLIMETERS.

PROPRIETARY NOTE
THIS DOCUMENT CONTAINS CONFIDENTIAL AND PROPRIETARY INFORMATION AND ALL DESIGN, MANUFACTURING, REPRODUCTION, USE, PATENT RIGHTS AND SALES RIGHTS ARE EXPRESSLY RESERVED BY SAMTEC, INC. THIS DOCUMENT SHALL NOT BE DISCLOSED, IN WHOLE OR PART, TO ANY UNAUTHORIZED PERSON OR ENTITY NOR REPRODUCED, TRANSFERRED OR INCORPORATED IN ANY OTHER PROJECT IN ANY MANNER WITHOUT THE EXPRESS WRITTEN CONSENT OF SAMTEC, INC.



520 PARK EAST BLVD., NEW ALBANY, IN 47150
PHONE: 812-944-6733 FAX: 812-948-5047
e-Mail: info@SAMTEC.com code 55322

MATERIAL: DO NOT SCALE DRAWING SHEET SCALE: 6:1
NYLON, COLOR: LIGHT GREEN

DESCRIPTION:
1.00 MM PITCH S1SX BODY

DWG. NO.
ISS1-XX-L

BY: JESSIE W 10/30/2014 SHEET 1 OF 1