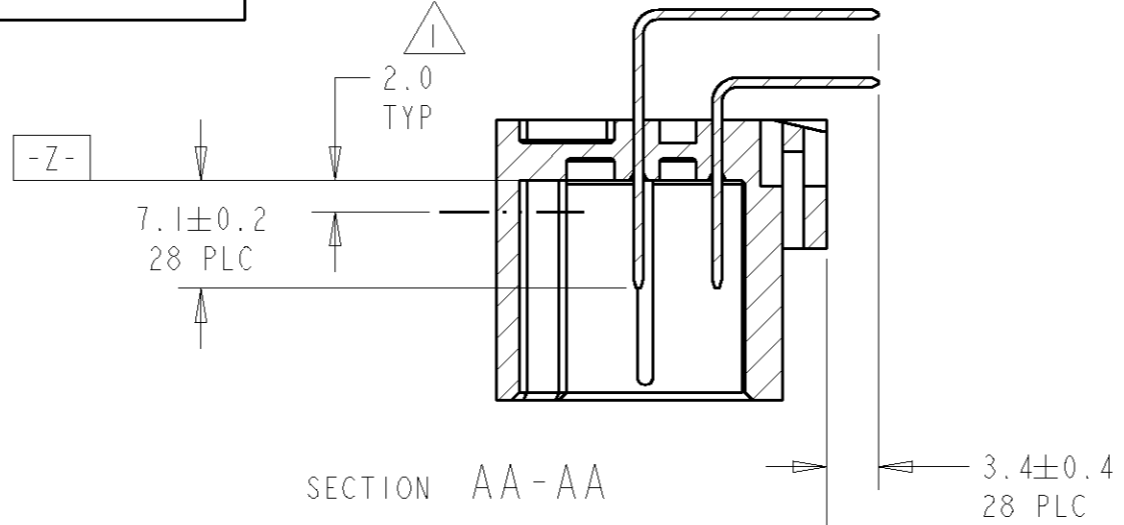
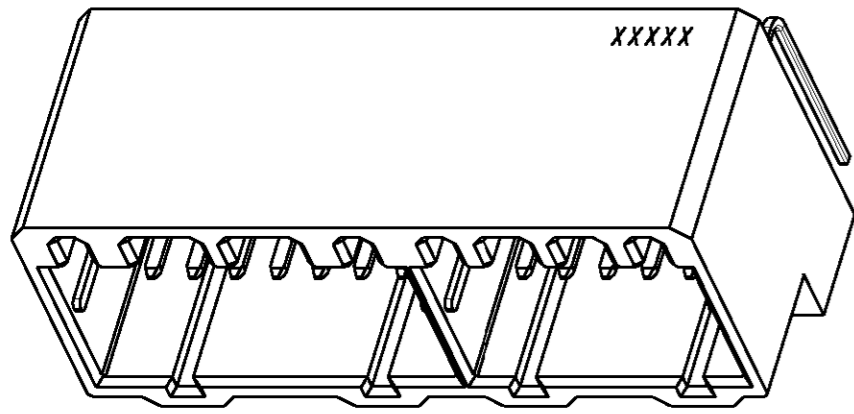
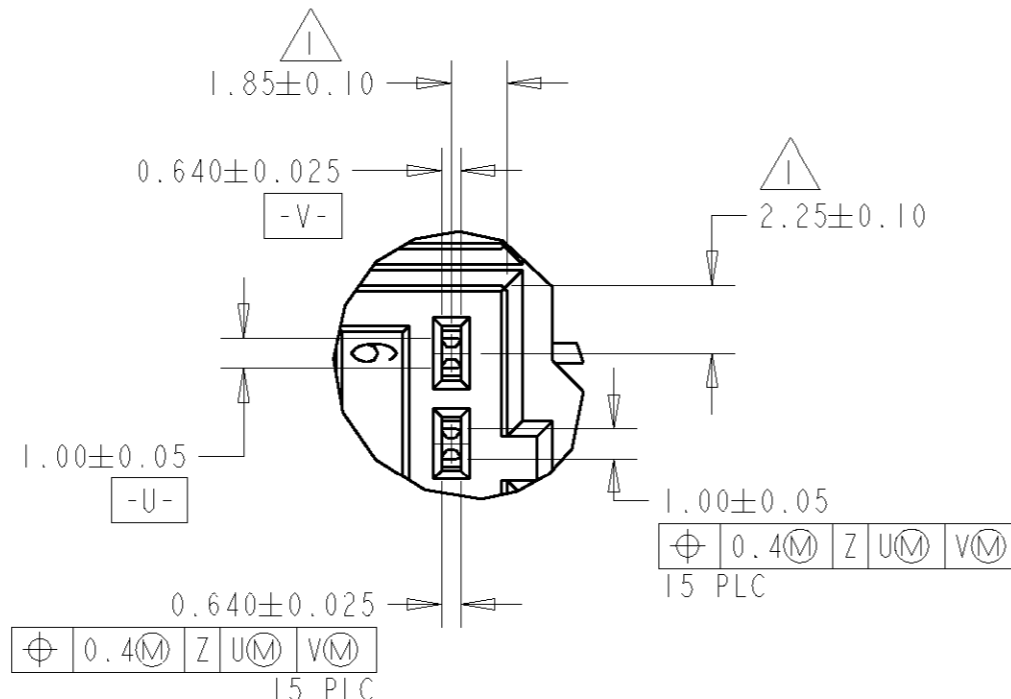
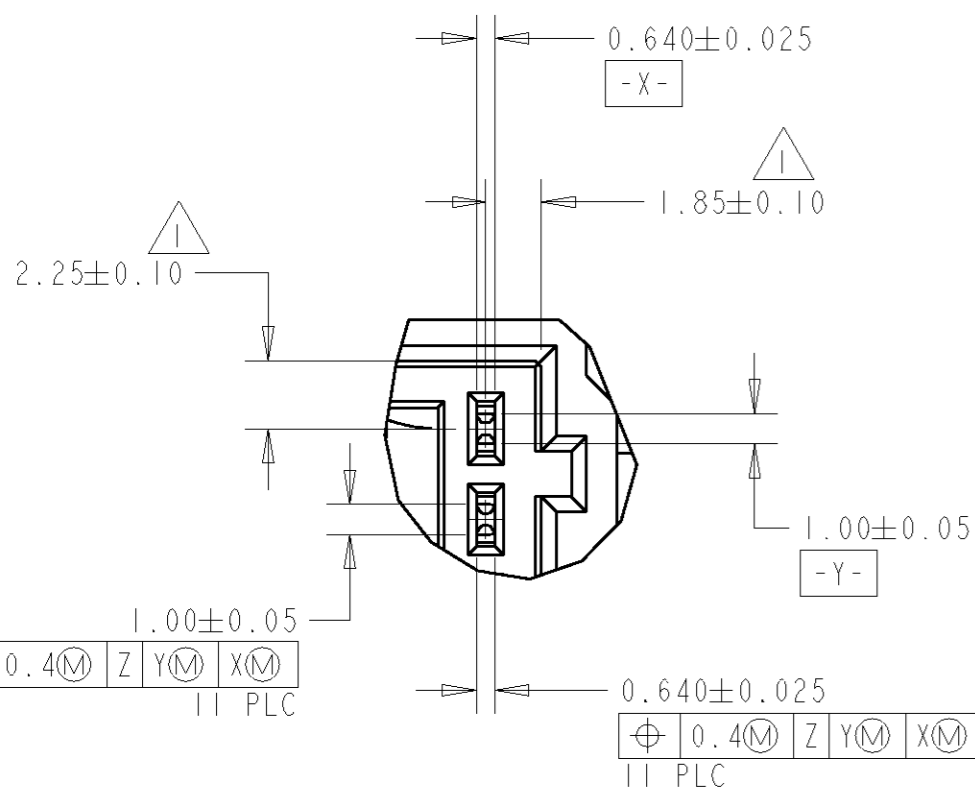
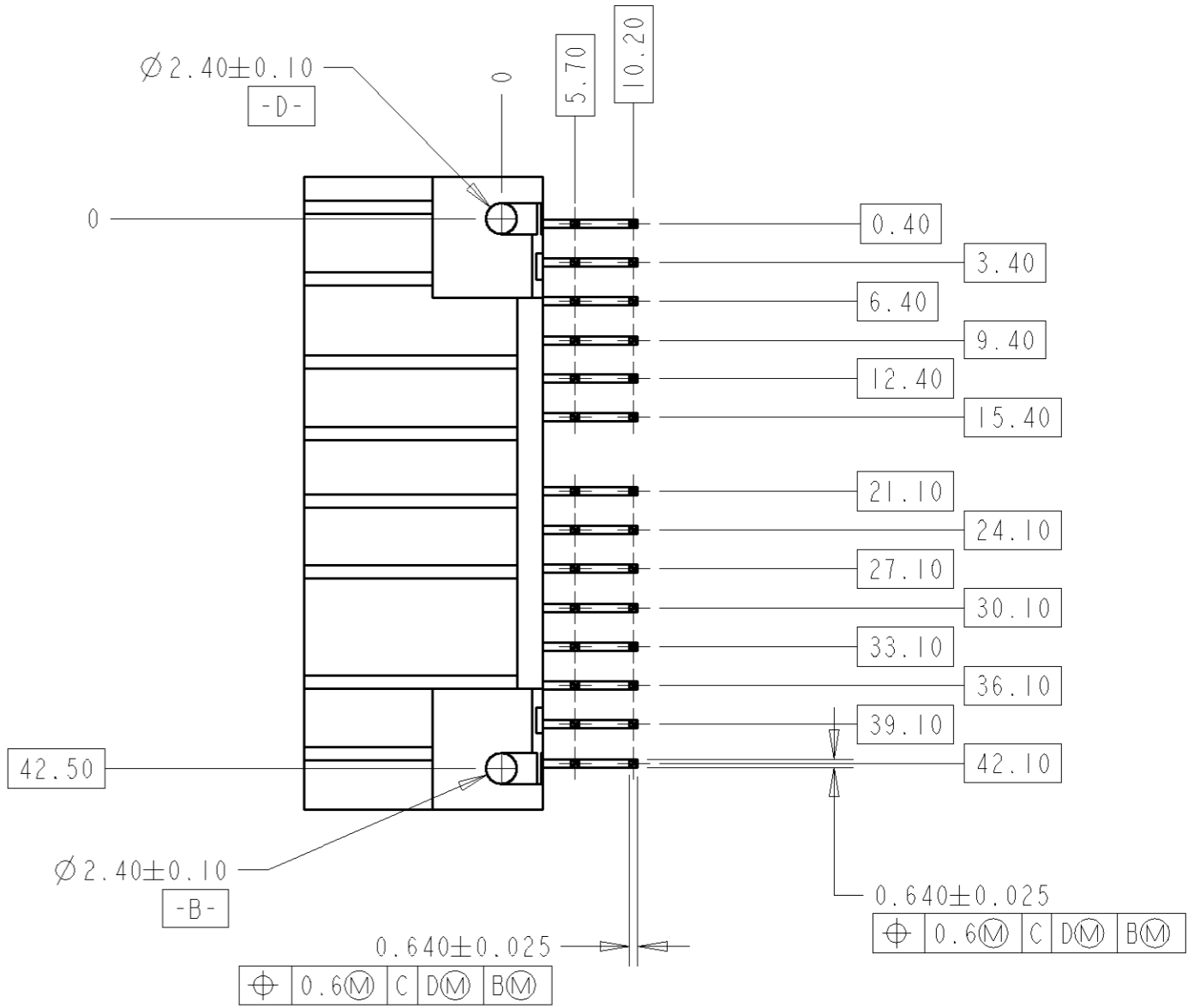
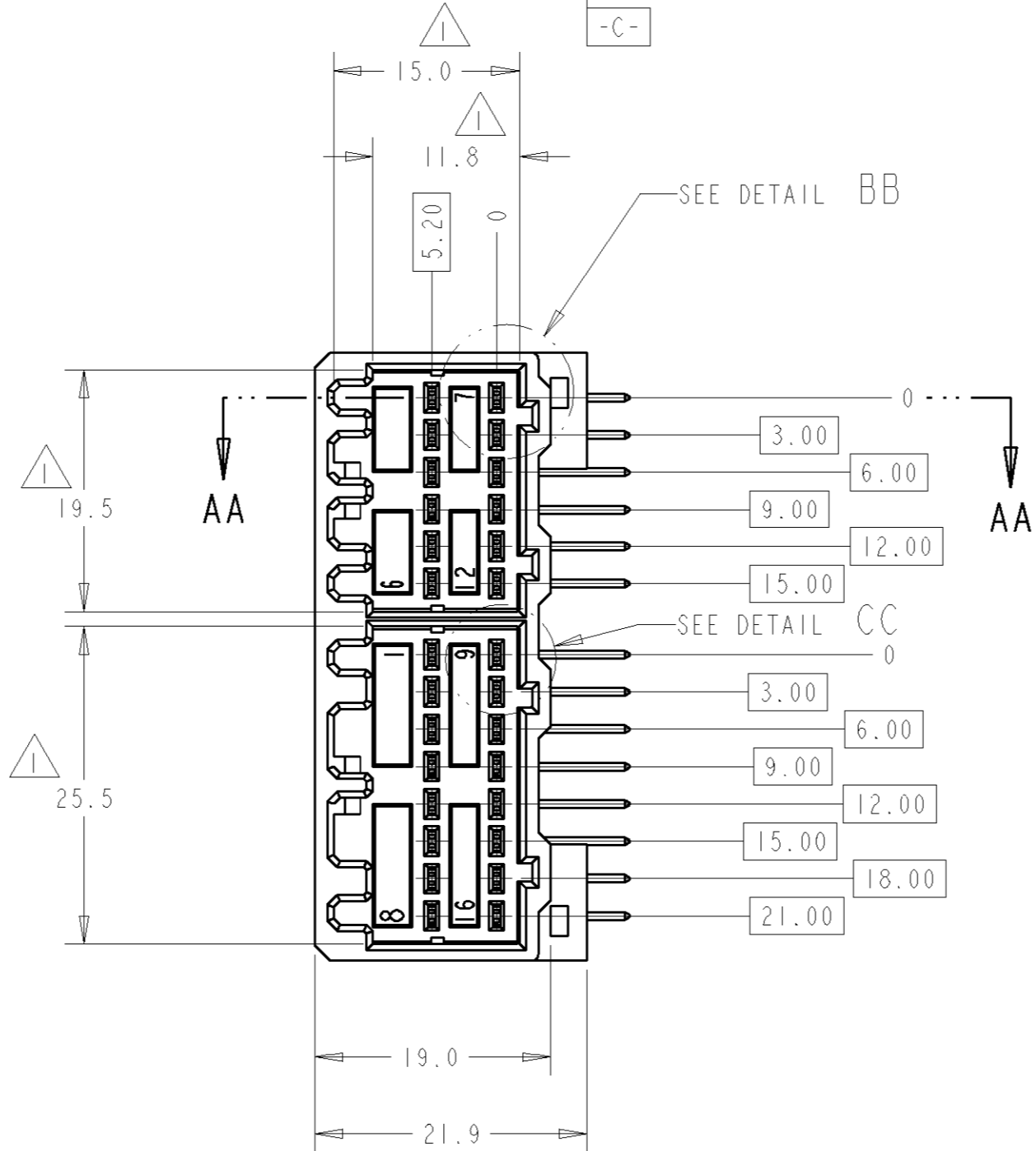
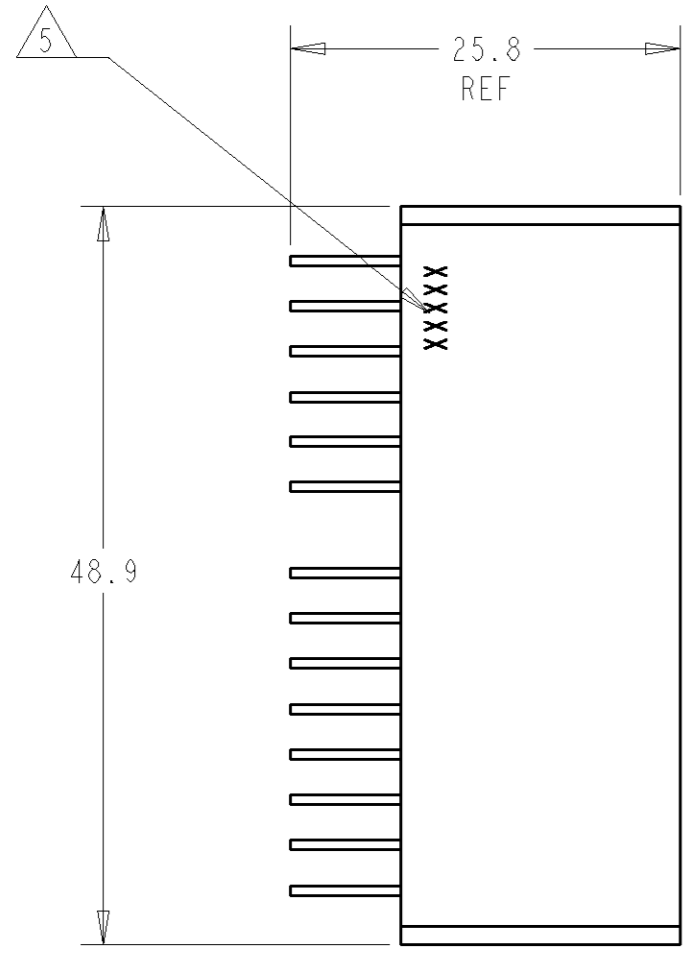


THIS DRAWING IS UNPUBLISHED. RELEASED FOR PUBLICATION
 © COPYRIGHT 20 BY TYCO ELECTRONICS CORPORATION. ALL RIGHTS RESERVED.

LOC	DIST	REVISIONS			
P	LTR	DESCRIPTION	DATE	DWN	APVD
C		REVISED PER EC 0K80-0301-02	06JAN2003	APH	SSA
D		REVISED PER EC 0K80-0171-04	12MAY2004	DLD	RMC



- 1. DIMENSION MUST BE HELD BETWEEN -Z- AND 2.0mm FROM -Z- (EXCLUDING CHAMFER)
- 2. RECOMMENDED MOUNTING SCREW, 3mm DIA X 6mm LG, PAN HEAD, CLASS 2 TAPPING SCREW AS SPECIFIED IN JIS B1115 AND B1112. MAXIMUM TORQUE: 4kg-cm
- 3. DATUMS AND BASIC DIMENSIONS ESTABLISHED BY CUSTOMER.
- 4. MATING PLUG PART NUMBERS ARE: 917975, 917981
- 5. DATE CODE



DETAIL BB
SCALE 4:1

DETAIL CC
SCALE 4:1

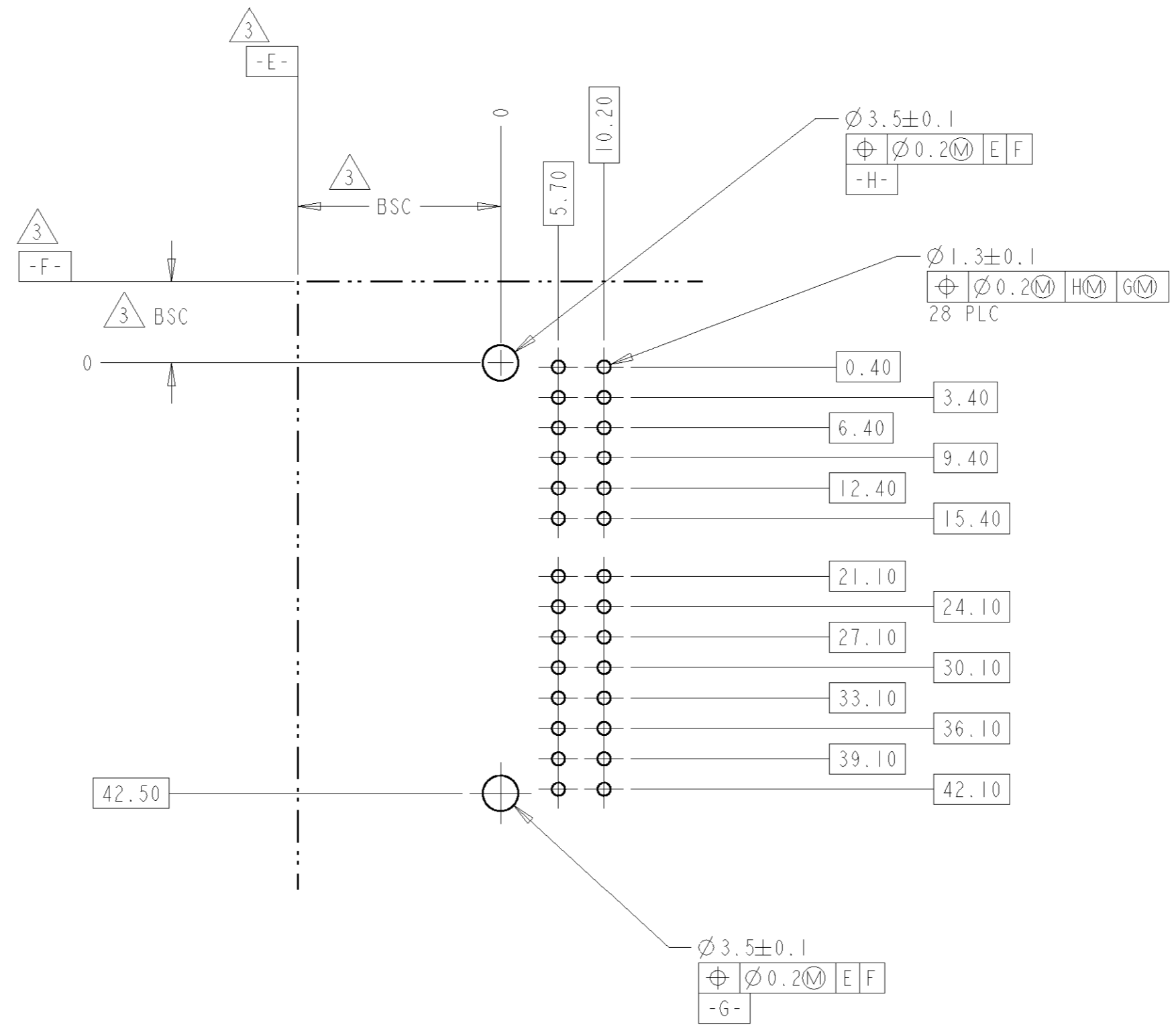
POST TIN	BRASS	NATURAL	HTN	9-638266-1
FINISH CONTACT	MATERIAL CONTACT	COLOR	HOUSING MATERIAL	PART NUMBER

THIS DRAWING IS A CONTROLLED DOCUMENT FOR TYCO ELECTRONICS CORPORATION. IT IS SUBJECT TO CHANGE AND THE CONTROLLING ENGINEERING ORGANIZATION SHOULD BE CONTACTED FOR THE LATEST REVISION.		DWN Y. PETERSON 23JUN99
DIMENSIONS: mm		CHK R. SMITH 23JUN99
TOLERANCES UNLESS OTHERWISE SPECIFIED:		APVD R. SMITH 23JUN99
0 PLC ±		PRODUCT SPEC 108-5280
1 PLC ±0.3		APPLICATION SPEC 114-5159
2 PLC ±0.15		WEIGHT 12.03g
3 PLC ±		MATERIAL SEE CHART
4 PLC ±		CUSTOMER DRAWING
ANGLES ±°		
FINISH		

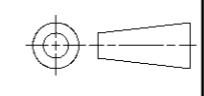
NAME		Tyco Electronics Harrisburg, PA 17105-3608	
CAP ASSEMBLY, 040, 28 POSITION, MULTILOCK			
SIZE	CAGE CODE	DRAWING NO	RESTRICTED TO
A2	00779	G-638266	-
SCALE 2:1		SHEET 1 OF 2	REV D

THIS DRAWING IS UNPUBLISHED. RELEASED FOR PUBLICATION
 © COPYRIGHT 20 BY TYCO ELECTRONICS CORPORATION. ALL RIGHTS RESERVED.

LOC	DIST	REVISIONS			
P	LTR	DESCRIPTION	DATE	DWN	APVD
FX	00	-	SEE SHEET 1	-	-



PC BOARD LAYOUT (SOLDER SIDE)
 (RECOMMENDED BOARD THICKNESS 1.57mm)

<small>THIS DRAWING IS A CONTROLLED DOCUMENT FOR TYCO ELECTRONICS CORPORATION IT IS SUBJECT TO CHANGE AND THE CONTROLLING ENGINEERING ORGANIZATION SHOULD BE CONTACTED FOR THE LATEST REVISION.</small>		DWN Y. PETERSON 23JUN99 CHK R. SMITH 23JUN99 APVD R. SMITH 23JUN99	tyco Tyco Electronics Electronics Harrisburg, PA 17105-3608
DIMENSIONS: mm 	TOLERANCES UNLESS OTHERWISE SPECIFIED: 0 PLC ± 1 PLC ±0.3 2 PLC ±0.15 3 PLC ± 4 PLC ± ANGLES ±° FINISH	PRODUCT SPEC - APPLICATION SPEC - WEIGHT - CUSTOMER DRAWING	NAME CAP ASSEMBLY, 040, 28 POSITION, MULTILOCK SIZE CAGE CODE DRAWING NO RESTRICTED TO A2 00779 C-638266 -
AMP 1471-9 REV 31MAR2000		SCALE 2:1 SHEET 2 OF 2 REV D	

638266