

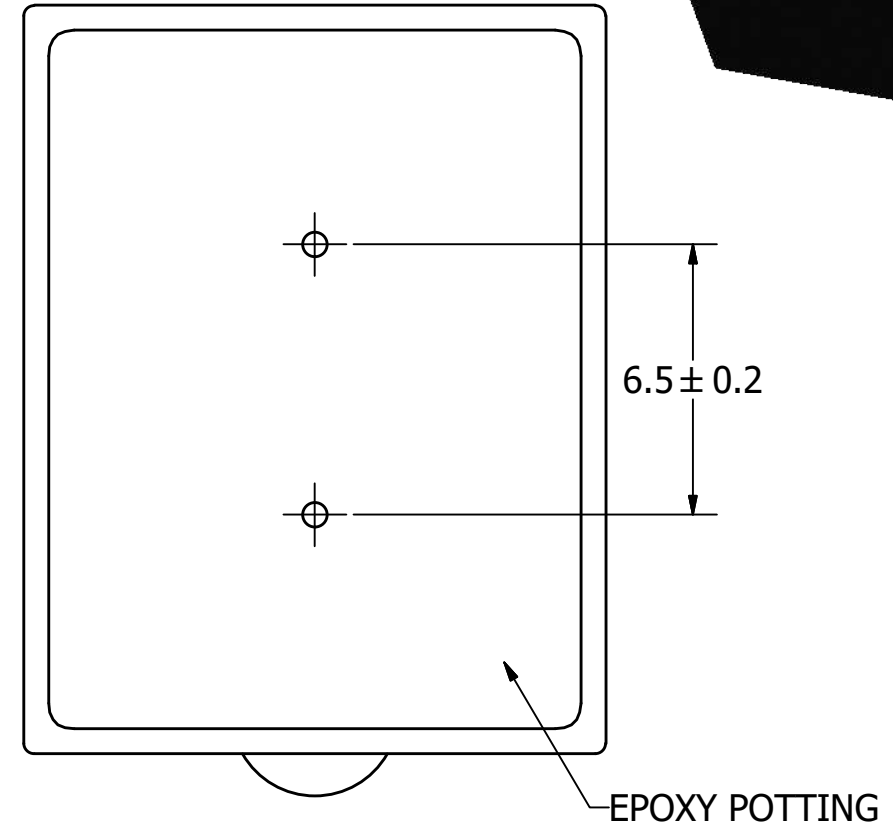
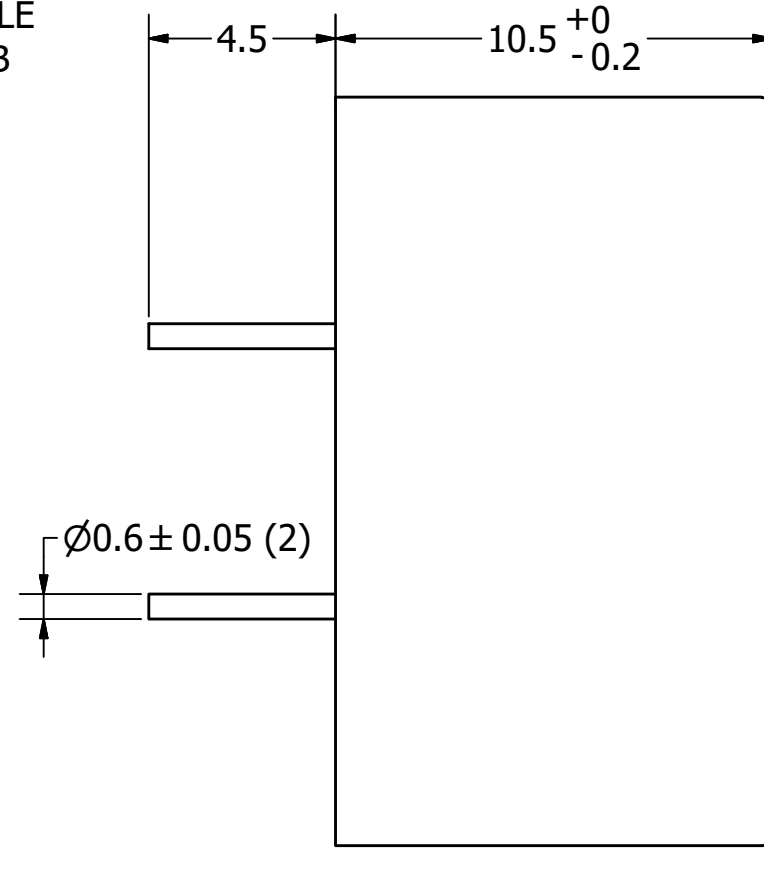
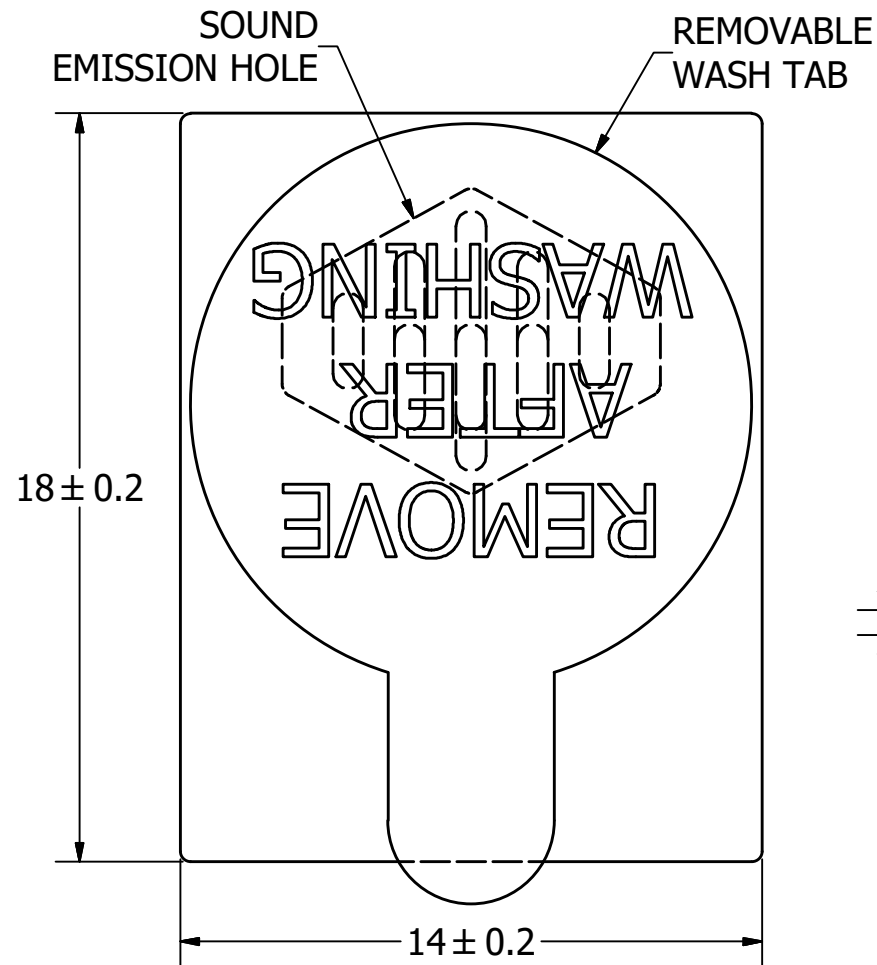
SPECIFICATIONS

| PARAMETERS | VALUES | UNIT |
|-------------------------|------------------|-------|
| RATED VOLTAGE | 1.5 | Vpk |
| OPERATING VOLTAGE RANGE | 1 ~ 2 | Vpk |
| RATED CURRENT (MAX) | 40 | mA |
| COIL RESISTANCE | 16 ± 4 | OHM |
| MINIMUM SPL @ 10 CM | 85 | dB |
| RESONANT FREQUENCY | 2,250 ± 250 | Hz |
| OPERATING TEMPERATURE | -20 ~ +80 | °C |
| STORAGE TEMPERATURE | -30 ~ +85 | °C |
| HOUSING MATERIAL | NORYL | - |
| TERMINAL MATERIAL | Sn PLATED COPPER | - |
| WEIGHT | 7 | grams |

THIS DOCUMENT CONTAINS DATA PROPRIETARY TO PROJECTS UNLIMITED, INC. ANY USE OR REPRODUCTION, IN ANY FORM, WITHOUT PRIOR WRITTEN PERMISSION OF PROJECTS UNLIMITED, INC. IS PROHIBITED.
©2003, Projects Unlimited Inc.

REVISION HISTORY

| LTR | DESCRIPTION | DATE | APPROVED |
|-----|--|-----------|----------|
| - | RELEASED FROM ENGINEERING | 3/21/2006 | |
| A | REVISED PART HEIGHT DIMENSION | 5/11/2010 | B.R. |
| B | REVISED TO INVENTOR 3-D DRAWING TEMPLATE | 5/12/2010 | B.R. |
| C | REVISED RESONANT FREQUENCY | 2/19/2020 | M.L. |



NOTES:

1. ALL DIMENSIONS ARE IN MILLIMETERS.
2. SPECIFICATIONS SUBJECT TO CHANGE OR WITHDRAWL WITHOUT NOTICE.
3. THIS PART IS RoHS 2015/863/EU COMPLIANT.
4. WAVE SOLDER AND WASH ALLOWED.

| | | | | | | | | | |
|--|-------------------|-------------|-----------|---------------------------|-----------|-------------|-----------|----------------------------|--|
| UNLESS OTHERWISE SPECIFIED: DIMENSIONS ARE IN MILLIMETERS, TOLERANCES ARE ±0.5 AND ANGLES ARE ±3°. | SIZE A3 | Designed by | Date | Checked by | Date | Approved by | Date | Drawn Date | |
| | | T.G. | 3/21/2006 | B.R. | 3/21/2006 | E.P. | 3/21/2006 | 5/12/2010 | |
| AT-1820-TWT-1V-R.idw | | | | AT-1820-TWT-1V-R | | | | Edition: - Sheet: 1 / 1 | |
| | | | | Transducer (Electro-Mech) | | | | | |