

注記 1. 材質  
NOTES MATERIAL

ハウジング : PA. ガラス充填, 黒色, UL94V-0  
HOUSING : PA. GLASS FILLED, BLACK, UL94V-0  
ターミナル : 銅合金 (t=0.2)  
TERMINAL : COPPER ALLOY (t=0.2)  
シールド ケース : 銅合金 (t=0.4)  
SHIELD CASE : COPPER ALLOY (t=0.4)  
カバー テープ : ポリイミド (t=0.08)  
COVER TAPE : POLYIMIDE (t=0.08)

2. メッキ仕様  
PLATING

ターミナル  
TERMINAL  
接点部 : 金メッキ 0.75 MICRO METER MIN.  
CONTACT AREA : GOLD 0.75MICRO METER MIN.  
半田付け部 : 半田メッキ 3.8 MICRO METER MIN.  
SOLDER TAIL AREA : TIN-LEAD 3.8MICRO METER MIN.  
下地部 : ニッケルメッキ 1.25 MICRO METER MIN.  
UNDER PLATING : NICKEL 1.25MICRO METER MIN.  
シールド ケース  
SHIELD CASE  
: 半田メッキ 2.5 MICRO METER MIN.  
: TIN-LEAD 2.5MICRO METER MIN.  
下地部 : ニッケルメッキ 1 MICRO METER MIN.  
UNDER PLATING : NICKEL 1 MICRO METER MIN.

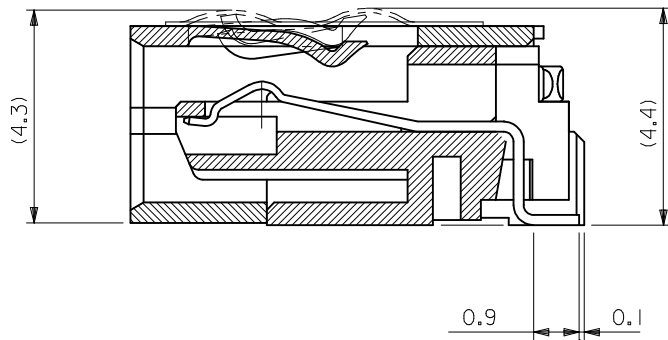
3. テール、ネール平坦度は 0.1mm MAX.  
TAIL, NAIL COPLANARITY 0.1mm MAX.

推奨基板寸法 (部品実装側)  
RECOMMENDED P.C.B. PATTERN LAYOUT (PART MOUNT SIDE)

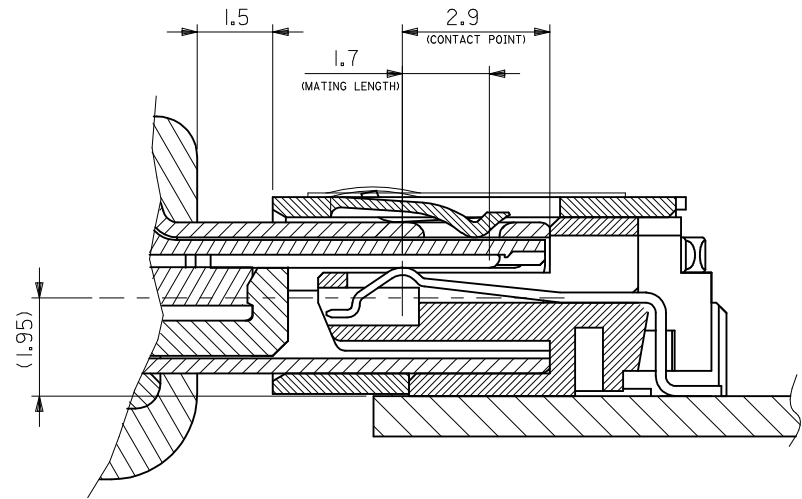
54819-0578	54819-0571
EMBOSSD TAPE	MATERIAL No.
ORDER No.	
MODEL No.54819-**71	

REVISED EC NO.: J2009-1533 D DRW: NESATO 2009/06/25 CHKD: MATSUMOTO 2009/06/25 APPR: NUKITA 2009/06/25 REV	GENERAL TOLERANCES (UNLESS SPECIFIED)		DIMENSION STYLE MM ONLY	SCALE 10:1	DESIGN UNITS METRIC	THIRD ANGLE PROJECTION
	10 UNDER	±0.2	DRAWN BY K. TAKAHASHI	DATE 2000/08/02	TITLE USB SERIES MINI-B RECEPTACLE ASS'Y FOR SMT	
	10 OVER 30 UNDER	±0.25	CHECKED BY M. SASAO	DATE 2000/08/02	MOLEX INCORPORATED	
	30 OVER	±0.3	APPROVED BY H. IKESUGI	DATE 2000/08/02	DOCUMENT NO. SD-54819-009	SHEET NO. 1 OF 2
ANGULAR ±3 °		DRAFT WHERE APPLICABLE MUST REMAIN WITHIN DIMENSIONS		SEE TABLE		
SIZE A3			THIS DRAWING CONTAINS INFORMATION THAT IS PROPRIETARY TO MOLEX INCORPORATED AND SHOULD NOT BE USED WITHOUT WRITTEN PERMISSION			

10 9 8 7 6 5 4 3 2 1



SECTION

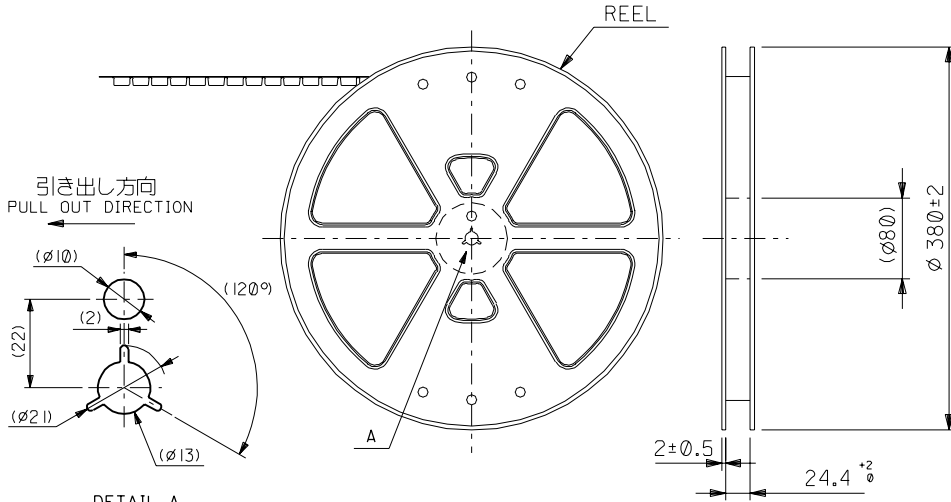


MATING

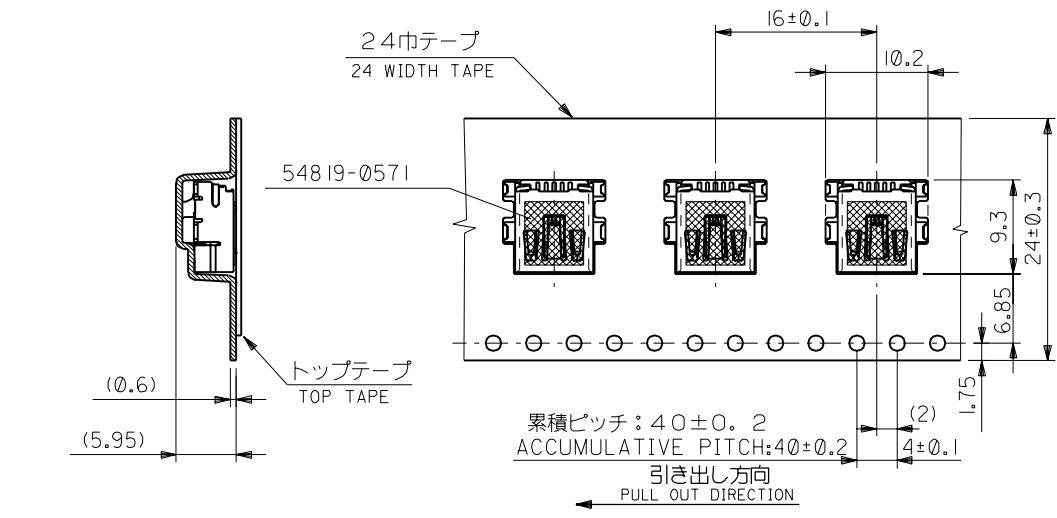
MODEL No.54819-\*\*\*71

REVISED EC NO: J2009-1533 DRW:ESATO 2009/06/25 CHK:D:HMATSUMOTO 2009/06/25 APPR:NUKITA 2009/06/25	GENERAL TOLERANCES (UNLESS SPECIFIED)		DIMENSION STYLE MM ONLY	SCALE 10:1	DESIGN UNITS METRIC	THIRD ANGLE PROJECTION	
	10 UNDER	±0.2	DRAWN BY K. TAKAHASHI	DATE 2000/08/02	TITLE USB SERIES MINI-B RECEPTACLE ASS'Y FOR SMT		
	10 OVER 30 UNDER	±0.25	CHECKED BY M. SASAO	DATE 2000/08/02	MATERIAL NO. SEE SHEET 1		
	30 OVER	±0.3	APPROVED BY H. IKESUGI	DATE 2000/08/02	DOCUMENT NO. SD-54819-009		
	ANGULAR ±3 °	DRAFT WHERE APPLICABLE MUST REMAIN WITHIN DIMENSIONS	SIZE A3	THIS DRAWING CONTAINS INFORMATION THAT IS PROPRIETARY TO MOLEX INCORPORATED AND SHOULD NOT BE USED WITHOUT WRITTEN PERMISSION			

DWG. NO. SD-54819-012



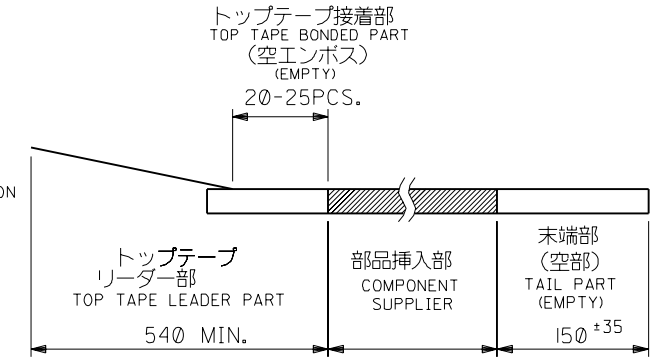
DETAIL A



エンボステープ内の製品の向き  
DIRECTION OF CONNECTOR IN EMBOSSED TAPE

NOTES

- 54819-0571の詳細はSD-54819-009参照  
IN THE PACKAGE PART NO.54819-0571 DETAILED, SEE SD-54819-009
- 梱包数量: 800 個/リール  
NUMBER OF CONNECTORS: 800 PCS/REEL
- リードテープ長さ  
LEAD TAPE LENGTH



- トップテープの剥離強度: 0.1~0.7 N (10.2~71.4gf)  
(剥離方向は下図参照) キャリアテープ幅: 24mm  
PEEL-OFF FORCE OF TOP TAPE: 0.1~0.7 N (10.2~71.4gf)  
(PEELING DIRECTION AS SHOWN IN FOLLOWING FIG.)  
尚、本規格値は、出荷時に適用。  
THIS REQUIREMENTS SHOULD BE APPLIED AT SHIPMENT  
(但し、輸送時に剥離が発生しない事。)  
(PEEL OFF SHOULD NOT BE ALLOWED, DURING TRANSPORTATION)

- 材料  
MATERIAL  
キャリアテープ: ポリプロピレン  
CARRIER TAPE: POLYPROPYLENE  
トップテープ: ポリエステル, ポリエチレン  
TOP TAPE: POLYESTER, POLYETHYLENE  
リール: ポリスチレン  
REEL: POLYSTYRENE

DO NOT SCALE DRAWING

04 NO. DRAWN: CHK: APPR: 03 NO. DRAWN: CHK: APPR: 02 NO. DRAWN: CHK: APPR: REVISED 01 NO. JD2001-1513 DRW:K TAKAHASHI 01/05/21 CHK: MSASAO 01/05/21 APPR: HIKESUGI 01/05/21 RELEASED 00 NO. JD2001-0190 DRW:K TAKAHASHI 00/08/02 CHK: MSASAO 00/08/02 APPR: HIKESUGI 00/08/02	MATERIAL 材料 SEE NOTES  FINISH 仕上げ —  WIRE RANGE 適用電線範囲 —  INS. RANGE 被覆外径 —	GENERAL TOLERANCES: (UNLESS SPECIFIED) 一般公差 10 UNDER 未満 ±0.2 10 OVER 30 UNDER 未満 ±0.25 30 OVER 以上 ±0.3 ANGLE 角度 ±3°	SCALE 2 - 1 DESIGN UNITS mm INCH 20° 25° 30° 45° 60° 90° PROJECTION DIMENSIONS: mm INCH mm ONLY SHT REVISION ON CAD ONLY	DRAWN BY & DATE R. Takahashi 00/08/02 CHECKED BY & DATE H. Sano 00/08/02 APPROVED BY & DATE H. Sano 00/08/02 CAD FILENAME SD-54819-012.S01	TITLE: USB SERIES MINI-B REC. HS'G EMBOSSED ASS'Y MOLEX INCORPORATED	MATERIAL NO. 54819-0578 DRAWING NO. SD-54819-012 SHEET NO. 1 OF 1	SIZE B