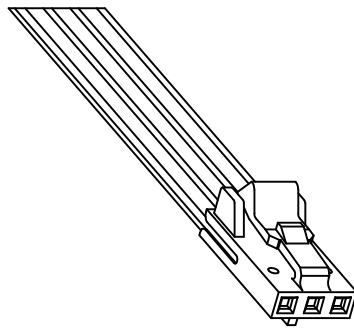
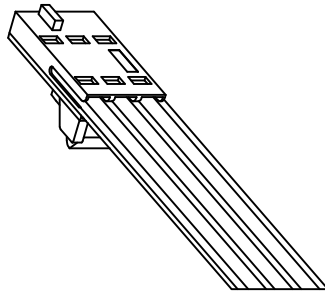


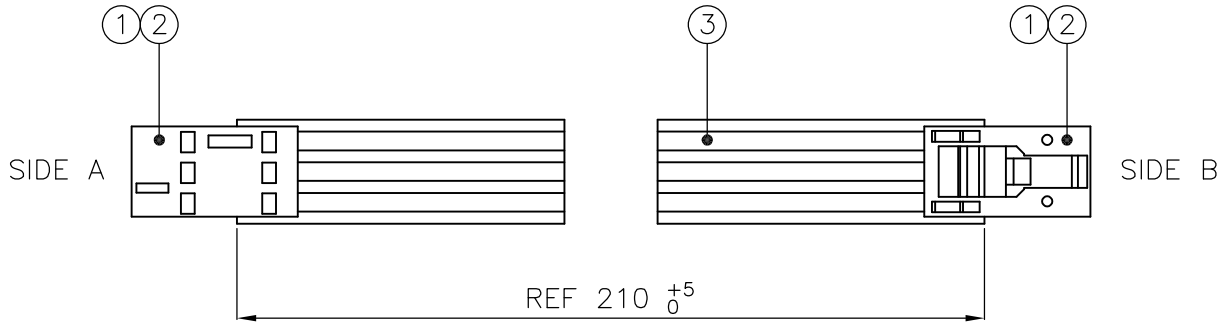
LOC	DIST	REVISIONS					
H	—	P	LTR	DESCRIPTION	DATE	DWN	APVD
			A	INITIAL DRAWING	23-06-09	AEG	BSK
			A1	ECR-09-019798	22-09-09	ZJ	LGA

TE PN
2073665-1

SIDE A



SIDE B



1	AR	3P. .100 FFC CABLE	3
2	PCS	RCPT. LATCH, PLC, FFC	2
6	PCS	FFC, RCPT CONTACT, STD PRESSURE	1
QTY	UOM	DESCRIPTION	ITEM

RELEASED FOR PUBLICATION

ALL INTERNATIONAL RIGHTS RESERVED.

BY TYCO ELECTRONICS CORPORATION.

© COPYRIGHT

THIS DRAWING IS UNPUBLISHED.

DIMENSIONS: mm	DWN	23JUN09	MATERIAL	FINISH	—		
	GNANI JADAV A E		Tyco Electronics Corporation 's-Hertogenbosch, Nederland				
TOLERANCES UNLESS OTHERWISE SPECIFIED:	CHK	24JUN09	Tyco Electronics Corporation 's-Hertogenbosch, Nederland				
	B.SKUGOR						
0 PLC ± - 1 PLC ± - 2 PLC ± - 3 PLC ± - 4 PLC ± - ANGLES ± -	APVD	24JUN09	NAME FFC ASSEMBLY				
	J.KLERKS						
	PRODUCT SPEC	—	SIZE	CAGE CODE	DRAWING NO	RESTRICTED TO	
	APPLICATION SPEC	—	A4	00779	C-2073665	—	
	WEIGHT	—	CUSTOMER DRAWING			SCALE	SHEET
						NTS	1 OF 1
						REV	A1