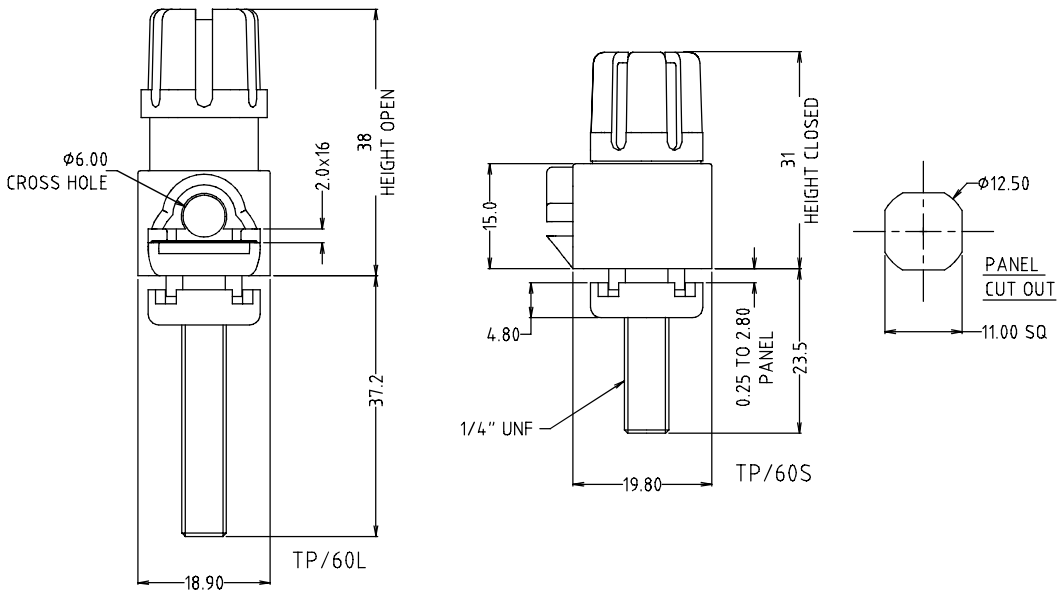




# 60A. TERMINAL TP60



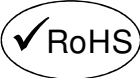
- TP60L** - 37.2mm spindle length
- CL159791** - TP60L Black Nickel Plated
- CL159792** - TP60L Black Gold Plated
- CL159793** - TP60L Red Nickel Plated
- CL159794** - TP60L Red Gold Plated

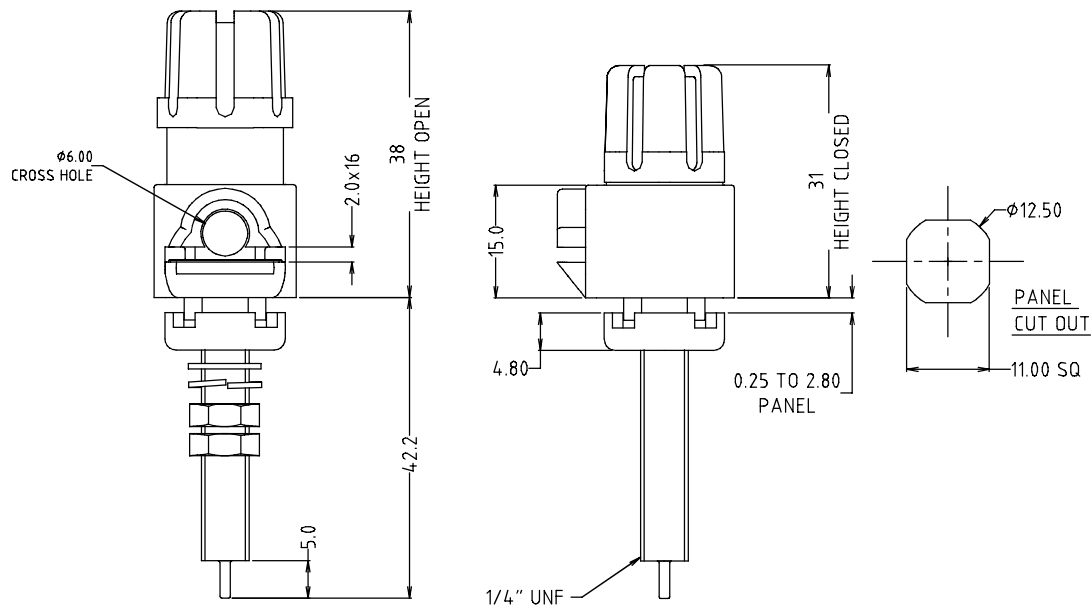


- TP60S** - 23.5mm spindle length
- CL159795** - TP60S Black Gold Plated
- CL159796** - TP60S Red Gold Plated
- CL159797** - TP60S Black Nickel Plated
- CL159798** - TP60S Red Nickel Plated



- TP60C/SG** - 23.5mm spindle length, 3mm slot
- CL159801** - TP60C/SG Clear/Red Gold Plated
- CL159802** - TP60C/SG Clear/Black Gold Plated





**TP60P - PC Mounting**

- CL159791P** - TP60P Black Nickel Plated
- CL159791PG** - TP60P Black Gold Plated
- CL159793P** - TP60P Red Nickel Plated
- CL159793PG** - TP60P Red Gold Plated

**Specification**

Maximum Current: 60A.

Contact Resistance: Nickel <30mΩ, Gold <20mΩ

Temperature Rating: -20°C to +80°C

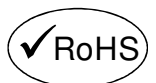
Flammability: Minimum UL 94HB

For further information, contact [sales@cliffuk.co.uk](mailto:sales@cliffuk.co.uk)

**Cliff Electronic Components Limited,**

76 Holmethorpe Avenue, Holmethorpe Ind. Estate,  
Redhill, Surrey RH1 2PF U.K.

Tel: +44 (0)1737 771375 Fax: +44 (0)1737 766012



[www.cliffuk.co.uk](http://www.cliffuk.co.uk)