



Specifications

Electrical Ratings	50mA @ 50VDC	Dielectric Strength	250Vrms min
Electrical Life	100,000 cycles typical	Insulation Resistance	>100MΩ min
Contact Resistance	<50mΩ initial	Operating Temperature	-40°C to 85°C
Actuation Force	130, 180, 260 ± 50gF	Storage Temperature	-40°C to 85°C
Actuation Travel	.25 ± .1mm		

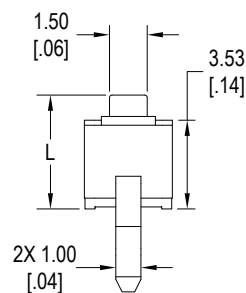
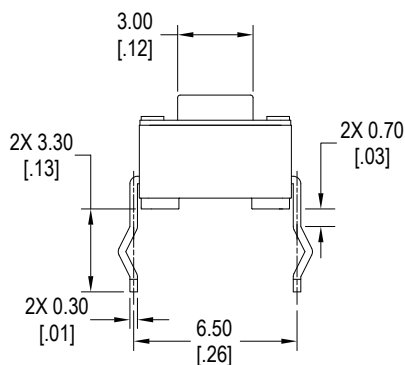
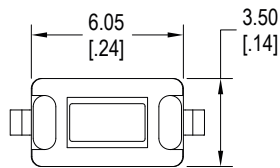
Materials

Actuator	6/6 Nylon
Housing	6/6 Nylon
Cover	Stainless Steel
Contacts	Stainless Steel, Silver Plated
Terminals	Brass, Silver Plated

Ordering Information

1. Series	CT1101	4.3	F180
CT1101			
2. Actuation Length "L"			
4.3 = 4.3mm			
5.0 = 5.0mm			
3. Actuator Force			
F130 = 130gF			
F180 = 180gF			
F260 = 260gF			

Dimensions



Schematic & PC Layout

