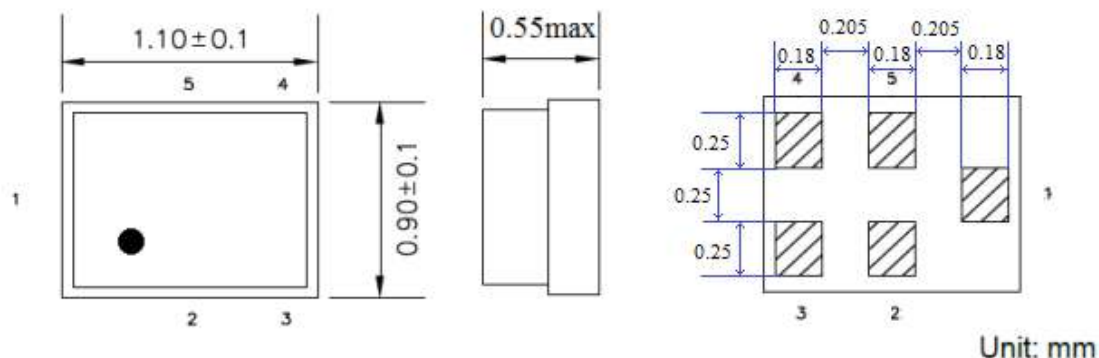


### Electrical Specifications

Terminating Source Impedance:  $Z_S = 50\Omega$   
 Terminating Load Impedance:  $Z_L = 50\Omega || 8.2 \text{ nH}$

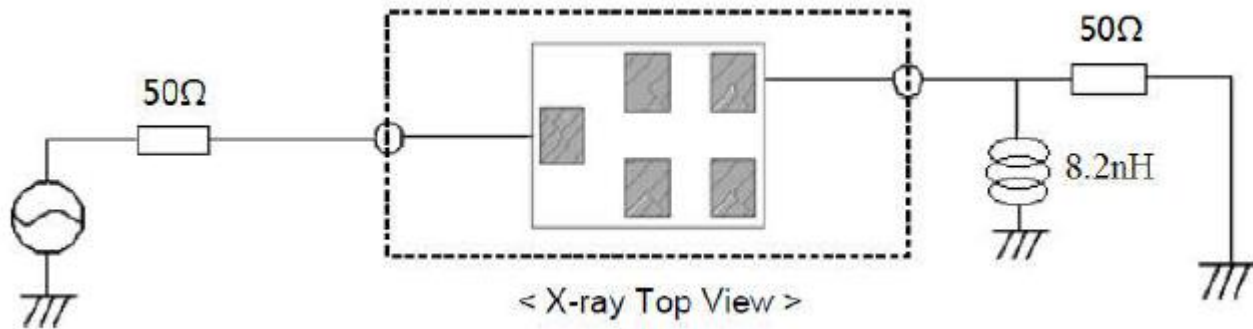
Parameters	Value	Unit
Center Frequency (Fo)	1582.400	MHz
Insertion Loss, typ/max	@ 1559.05 ~ 1563.15 MHz	1.0 / 1.5
	@ 1572.42 ~ 1578.42 MHz	0.8 / 1.3
	@ 1597.55 ~ 1605.89 MHz	1.0 / 1.5
VSWR, typ/max	@ 1559.05 ~ 1563.15 MHz	1.7 / 2.1
	@ 1572.42 ~ 1578.42 MHz	1.7 / 2.0
	@ 1597.55 ~ 1605.89 MHz	1.7 / 2.1
Pass Band Ripple, typ/max	@ 1559.05 ~ 1563.15 MHz	0.2 / 1.0
	@ 1572.42 ~ 1578.42 MHz	0.2 / 0.8
	@ 1597.55 ~ 1605.89 MHz	0.2 / 1.0
Group Delay Ripple, typ/max	@ 1597.55 ~ 1605.89 MHz	7 / 20
Attenuation, min/typ	@ 500.00 ~ 1500.00 MHz	-20 / -27
	@ 1710.00 ~ 5900.00 MHz	-20 / -25
DC Voltage	5	V
Input Power, max (CW 2000h, 50°C)	15	dBm
ESD Voltage ESD (MM)	50	V
Sensitive Discharge Device ESD(HBM)	175	V
Operating Temperature Range	-40 ~ +105	°C
Storage Temperature Range	-40 ~ +105	°C
MSL	2	-

### Dimension

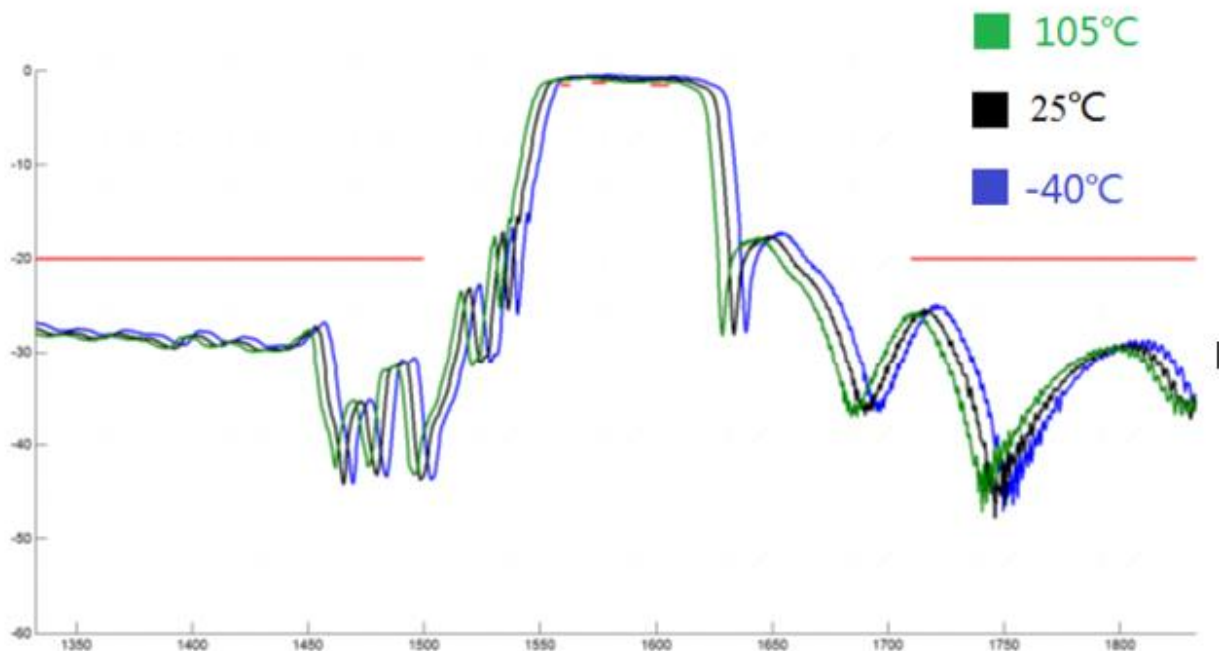


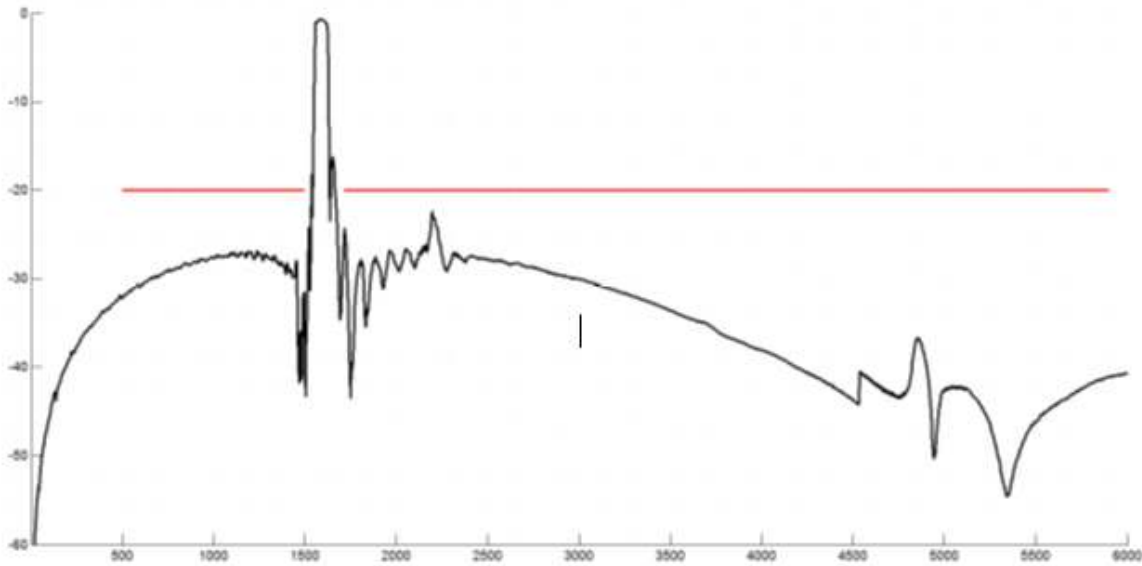
PIN #	PIN NAME	DESCRIPTION
1	IN	Input
4	OUT	Output
2,3,5	GND	Ground

#### Test Circuit



#### Frequency Characteristics

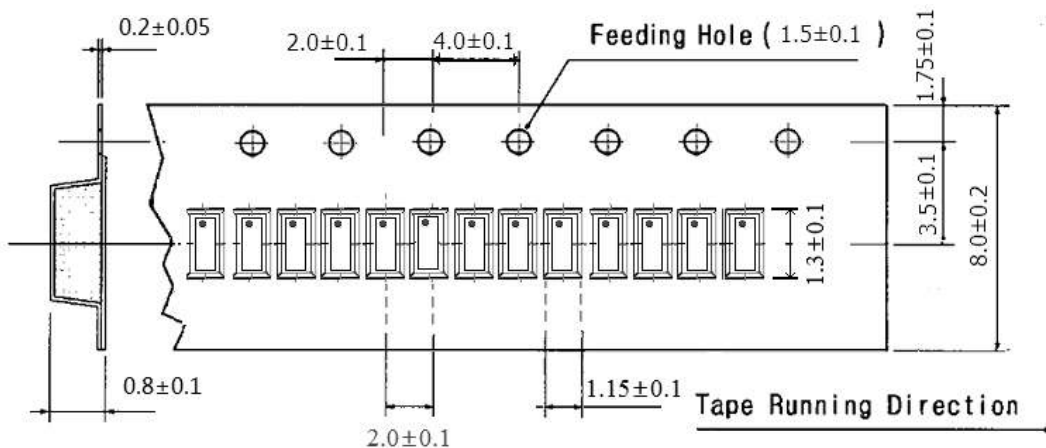




### Environmental

PARAMETER	VALUE
REACH – SVHC	Compliant
RoHS	Compliant
PACKAGING	TAPE & REEL

### Tape Dimension



### APPROVAL

DRAWN BY	AR, December 15, 2020
APPROVED BY	CP, December 15, 2020
REVISION	A, Initial Release



Raltron Electronics / RAMI Technology USA, LLC, including its affiliates, employees, agents and other persons acting on its behalf (collectively Raltron/RAMI Tech), disclaim any and all liability for any errors or inaccuracies contained in this data sheet. While Raltron/RAMI Tech has made every reasonable effort ensure the accuracy of all product information, specifications and data contained herein, Raltron/RAMI Tech does not guarantee that the information is accurate, reliable or current. The product information is provided only for reference purposes only and is subject to change, correction or revision, at any time without notice. Raltron/RAMI Tech does not assume any liability arising out of an application or use of any product described herein and disclaims any warranties expressed or implied. The user of products in such applications shall assume all risks of such use and will agree to hold Raltron/RAMI Tech, harmless against all damages.

Copyright © 2016, Raltron Electronics / RAMI Technology USA, LLC. All rights reserved. No part of this document may be reproduced in any form without the prior written permission of Raltron Electronics / RAMI Technology USA, LLC.