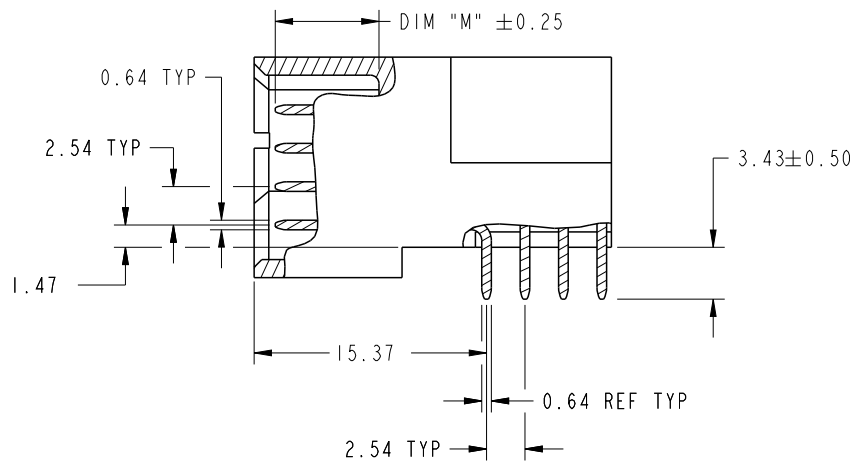


| CODE | DIM "M" MATING LENGTH | CONTACT TYPE |
|------|-----------------------|--------------|
| U    | [6.86]                | SIGNAL       |
| T    | [6.86]                | SIGNAL       |
| S    | [6.86]                | SIGNAL       |
| R    | [6.86]                | SIGNAL       |
| PA   | [N/A]                 | POWER        |
| HA   | [N/A]                 | HOLD-DOWN    |
| X    | OMITTED               | OMITTED      |

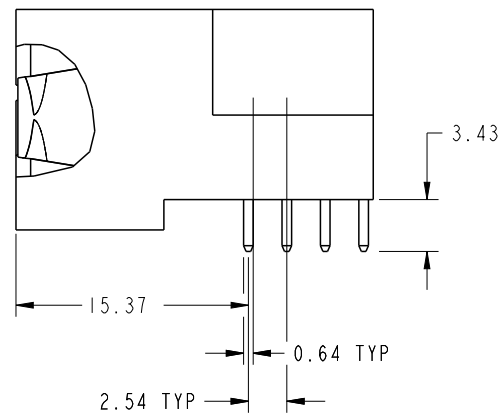
|               |                                       |      |                |            |                |           |        |     |           |           |          |
|---------------|---------------------------------------|------|----------------|------------|----------------|-----------|--------|-----|-----------|-----------|----------|
| spec ref      | *                                     | dr   | Luo Weller     | 2012/11/12 | projection     | MM        | size   | A4  | scale     | 1:1       |          |
| tolerance std | TOLERANCES UNLESS OTHERWISE SPECIFIED | eng  | Luo Weller     | 2012/12/20 |                |           | ecn no | -   | rel level | Released  |          |
| SEE NOTE      |                                       | chr  | -              | -          |                |           |        |     |           |           |          |
| surface       | ✓                                     | appr | Pei-Ming Zheng | 2012/12/20 | product family | PwrBlade  |        | rev | A         |           |          |
| linear        |                                       | 0.X  | ±0.5           |            | title          | 4P+12S+2P | dwg no |     |           | 51939-722 |          |
|               |                                       | 0.XX | ±0.25          |            |                |           |        |     |           |           | cat. no. |
| angular       | 0°                                    | ±2°  | www.fci.com    |            |                |           |        |     |           |           |          |

PRODUCT NUMBER

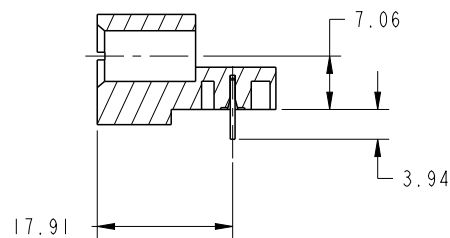
51939-722--  
NOTE: 3



BROKEN-OUT SECTION A-A  
SCALE 2:1



BROKEN-OUT SECTION B-B  
SCALE 2:1

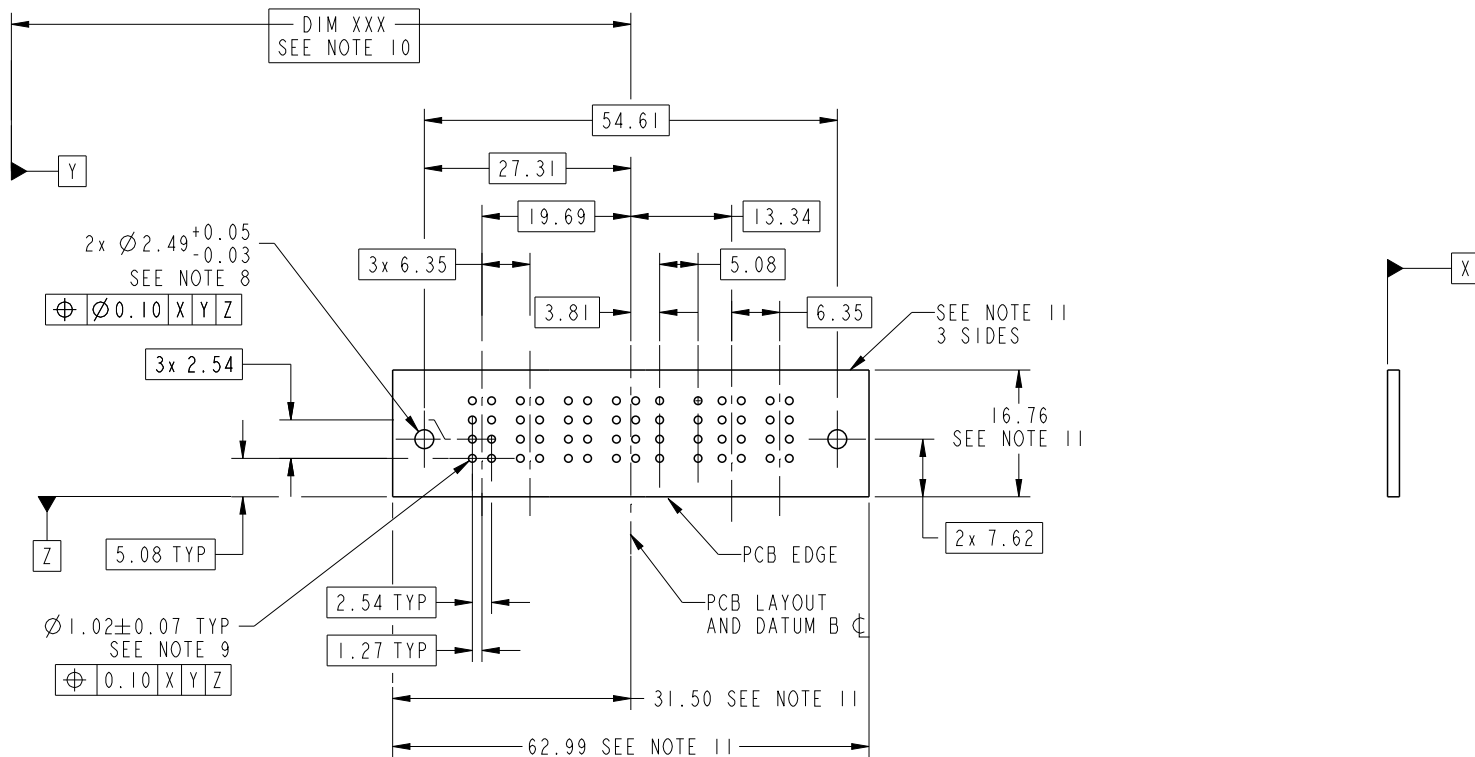


SECTION C-C

|             |                |  |                        |              |           |          |       |     |
|-------------|----------------|--|------------------------|--------------|-----------|----------|-------|-----|
| dr          | Luo Weller     | 2012/11/12                             | projection<br>         | MM<br>       | size      | A4       | scale | 1:1 |
| eng         | Luo Weller     | 2012/12/20                             |                        |              | ecn no    | -        |       |     |
| chr         | -              | -                                      |                        |              | rel level | Released |       |     |
| appr        | Pei-Ming Zheng | 2012/12/20                             | product family         | PwrBlade     | rev       | A        |       |     |
|             | title          | 4P+12S+2P<br>RIGHT ANGLE SOLDER HEADER |                        | dwg no       | 51939-722 |          |       |     |
| www.fci.com | cat. no.       | -                                      | Product - Customer Drw | sheet 2 of 4 |           |          |       |     |

PRODUCT NUMBER

51939-722\_\_  
NOTE: 3



RECOMMENDED PCB LAYOUT

|             |                |  |                        |          |              |          |       |     |
|-------------|----------------|--|------------------------|----------|--------------|----------|-------|-----|
| dr          | Luo Weller     | 2012/11/12                             | projection<br>         | MM<br>   | size         | A4       | scale | 1:1 |
| eng         | Luo Weller     | 2012/12/20                             |                        |          | ecn no       | -        |       |     |
| chr         | -              | -                                      |                        |          | rel level    | Released |       |     |
| appr        | Pei-Ming Zheng | 2012/12/20                             | product family         | PwrBlade |              |          |       |     |
|             | title          | 4P+12S+2P<br>RIGHT ANGLE SOLDER HEADER |                        | dwg no   | 51939-722    |          | rev   | A   |
| www.fci.com | cat. no.       | -                                      | Product - Customer Drw |          | sheet 3 of 4 |          |       |     |

PRODUCT NUMBER

51939-722--  
NOTE: 3

NOTES:

1. DIMENSIONS AND TOLERANCES ARE IN ACCORDANCE WITH ASME Y14.5M, 1994 UNLESS OTHERWISE SPECIFIED.

CONNECTOR NOTES:

- 2. HOUSING MATERIAL: UL 94 V-0 GLASS FILLED HIGH-TEMP THERMOPLASTIC  
POWER CONTACT MATERIAL: COPPER ALLOY  
SIGNAL PIN MATERIAL: COPPER ALLOY
- 3. SEE ITEM 1 & 2 IN PRINT 10064183 FOR PLATING SPEC OF 51939-722 AND 51939-722LF RESPECTIVELY.
- 4. MANUFACTURER'S NAME, DATE CODE AND OPTIONAL P/N TO APPEAR ON THIS SURFACE. THE MARK CAN BE OMITTED IF THERE IS NOT ENOUGH SPACE ON THIS SURFACE.
- 5. PRODUCT SPECIFICATION GS-12-149.  
APPLICATION SPECIFICATION BUS-20-067.
- 6. PACKAGED IN TRAYS.

PCB NOTES:

- 7. ALL HOLE DIAMETERS ARE FINISHED HOLE SIZE.
- 8. MOUNTING HOLES
- 9.  $\varnothing 1.151 \pm 0.025$  DRILLED HOLES PLATED WITH  
0.008 MIN SnPb OR Sn OVER 0.03  
TO 0.08 Cu PLATING TO ACHIEVE  
 $\varnothing 1.02 \pm 0.07$  HOLE.
- 10. "DIM XXX" TO BE DETERMINED BY THE CUSTOMER.
- 11. CONNECTOR KEEP-OUT ZONE.

|             |                |            |  |          |                        |           |       |              |   |
|-------------|----------------|------------|--|----------|------------------------|-----------|-------|--------------|---|
| dr          | Luo Weller     | 2012/11/12 | projection<br>                         | MM<br>   | size                   | A4        | scale | 1:1          |   |
| eng         | Luo Weller     | 2012/12/20 |  |          | ecn no                 | -         |       |              |   |
| chr         | -              | -          |  |          |                        |           |       |              |   |
| appr        | Pei-Ming Zheng | 2012/12/20 | product family                         | PwrBlade | rel level              | Released  |       |              |   |
|             |                | title      | 4P+12S+2P<br>RIGHT ANGLE SOLDER HEADER |          | dwg no                 | 51939-722 |       | rev          | A |
| www.fci.com |                | cat. no.   | -                                      |          | Product - Customer Drw |           |       | sheet 4 of 4 |   |