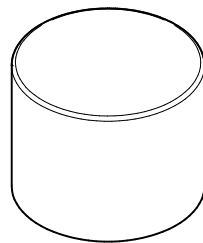
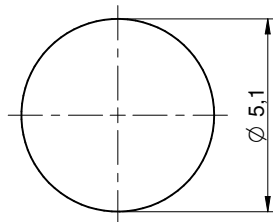
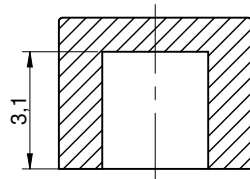
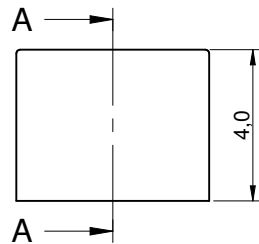


sectional drawing A-A



**MATERIAL**

> **Basic :** POM UL HB

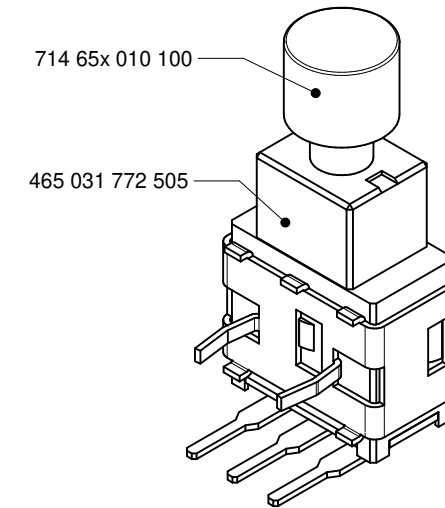
**MOUNTING INSTRUCTION**

>Cap is only to be fitted after the soldering process.  
Soldering process includes reflow or wave soldering

**PACKAGING INFORMATION**

>Bag

Part number	Color
714 651 010 100	black
714 656 010 100	red



Scale - 5:1

				Würth Elektronik eiSos GmbH & Co. KG EMC & Inductive Solutions	CREATED DaF	CHECKED MTH	GENERAL TOLERANCE DIN ISO 2768-1m	PROJECTION METHOD FIRST ANGLE	SIZE A4
				Max-Eyth-Str. 1 74638 Waldenburg Germany com. +49 79 42 945 - 0	DESCRIPTION <b>AssSw Caps for Push button switch with <math>\phi</math>2.8mm actuator</b>		TECHNICAL REFERENCE		
					SIZE 5.1*5.1mm	STATUS Released	DATE 2015-02-09	BUSINESS UNIT SWITCH	PAGE 1 / 1
				www.we-online.de eiSos@we-online.de	ORDER CODE 714 65x 010 100				
a	applications isometric view	2015-03-17	DaF						
REV.	FILE	DATE	BY						



This electronic component has been designed and developed for usage in general electronic equipment only. This product is not authorized for use in equipment where a higher safety standard and reliability standard is especially required or where a failure of the product is reasonably expected to cause severe personal injury or death, unless the parties have executed an agreement specifically governing such use. Moreover Würth Elektronik eiSos GmbH & Co KG products are neither designed nor intended for use in areas such as military, aerospace, aviation, nuclear control, submarine, transportation (automotive control, train control, ship control), transportation signal, disaster prevention, medical, public information network etc.. Würth Elektronik eiSos GmbH & Co KG must be informed about the intent of such usage before the design-in stage. In addition, sufficient reliability evaluation checks for safety must be performed on every electronic component which is used in electrical circuits that require high safety and reliability functions or performance.