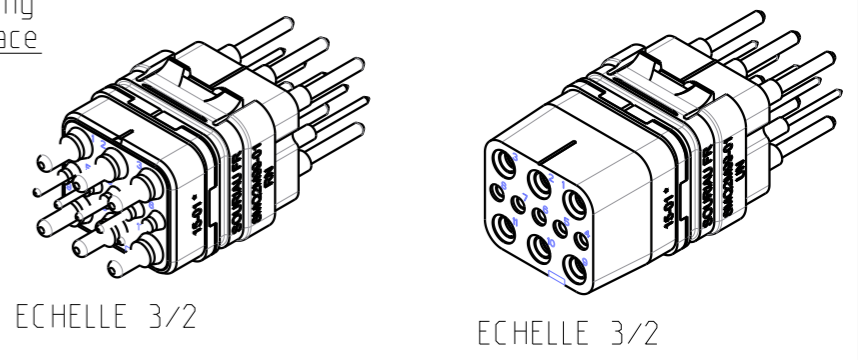
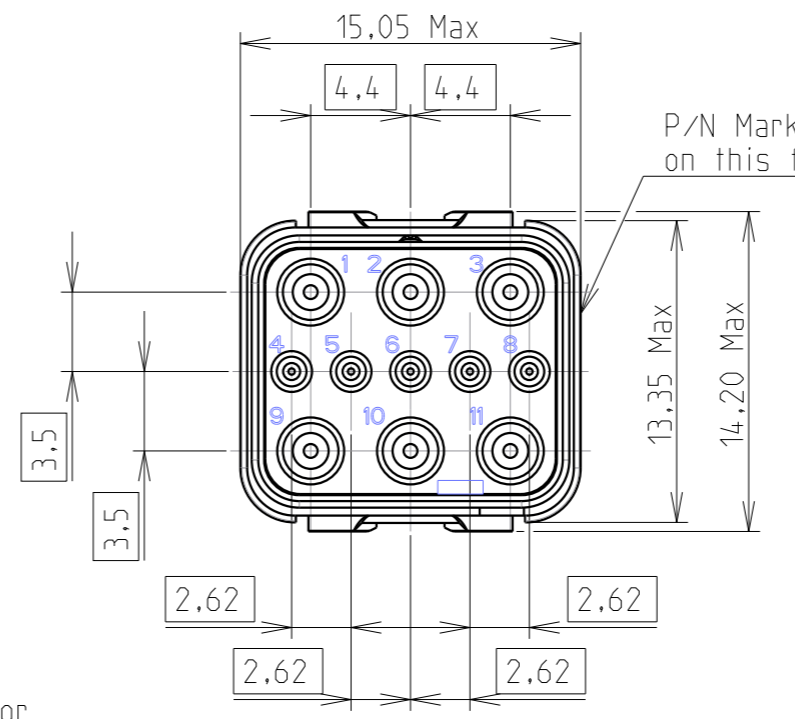
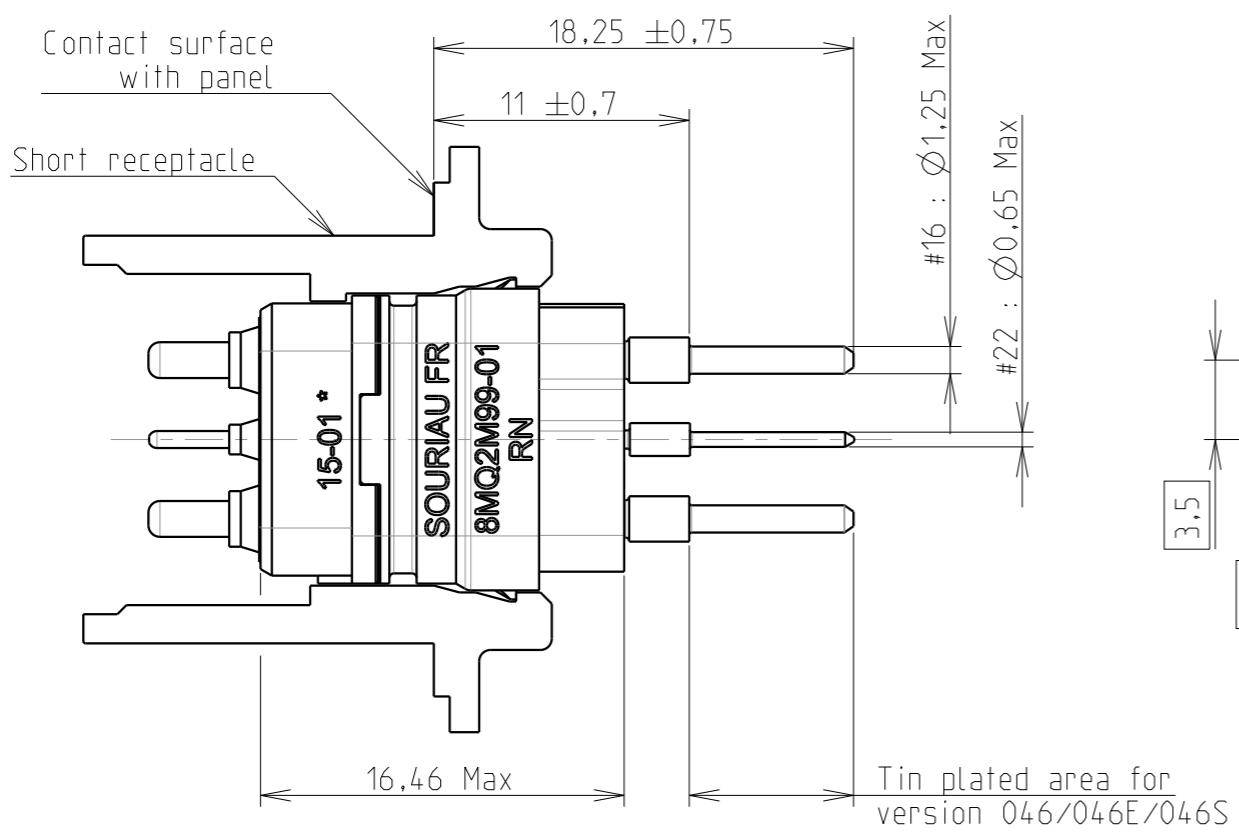


E.2: Validé

MASS ± 5% (g)	
Male module	8
Female module	9.7

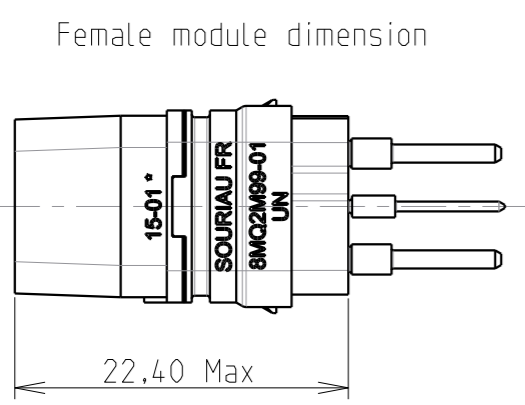


- ### Technical requirements
- 1- According to EN4165
  - 2- Voltage proof test (Sea level) :
    - #22 > 1300 V r.m.s.
    - #16 > 1500 V r.m.s.
  - 3- Insulation resistance > 5000 MΩ
  - 4- Climatic sequence : -55 °C / +175 °C
  - 5- Fluid resistance : See standard EN 4165-001 (table 40)
  - 6- Contact retention in insert :
    - #22 = 44 N
    - #16 = 110 N
  - 7- Materials : Thermoplastic and silicone
  - 8- Delivered with protection cap

BASIC SERIE 8MQ 2 M 99-01 R N E S -

2 = Serie 2  
 M = Module  
 Layout  
 Dash = No grounding  
 R = Male module delivered with contacts  
 U = Female module delivered with contacts  
 N, A, B, C, D = polarization  
 None = Without peripheral sealing  
 E = With peripheral sealing  
 S = Delivered with protection cap

None = Pin contact : Gold plated, 0.8 μm mini  
 046 = Pin contact : Tin plated over gold - SnPb  
 046E = Pin contact : Tin plated over gold - Sn100  
 046S = Pin contact : Tin plated over gold - SAC305



(other dimensions are available for male and female module)

Country	Jurisdiction & Control List
FR	NOT LISTED

P/N : SEE TABLE

E	04/10/18	Update of contact position	23536BH
ISS	DATE	Latest modification - by:	MOD N°
		N.AUFFRET Date:11/08/16	H.SIMIER
Designed by:		CUSTOMER DRAWING	
TITLE		MODULES WITH STRAIGHT PCB CONTACTS - LAYOUT 99-01	
		BASIC SERIE 8MQ	
Scale	2/1	General linear Tolerances: ± --	NPRDS / PROJECT BE133701A
Esterline Connection Technologies		WWW.SOURIAU.COM	
This document is the property of SOURIAU. It must not be reproduced or communicated without permission			
FORMAT	SOURIAU DRG N°		SHEET
A3	C013-8MQ-A		1 / 1

SOURIAU shall not be liable for any non-conformity or damage due to a use of the Products which does not comply with the Specifications issued by either of the Parties or by a third party (professional recommendation, technical notice.)