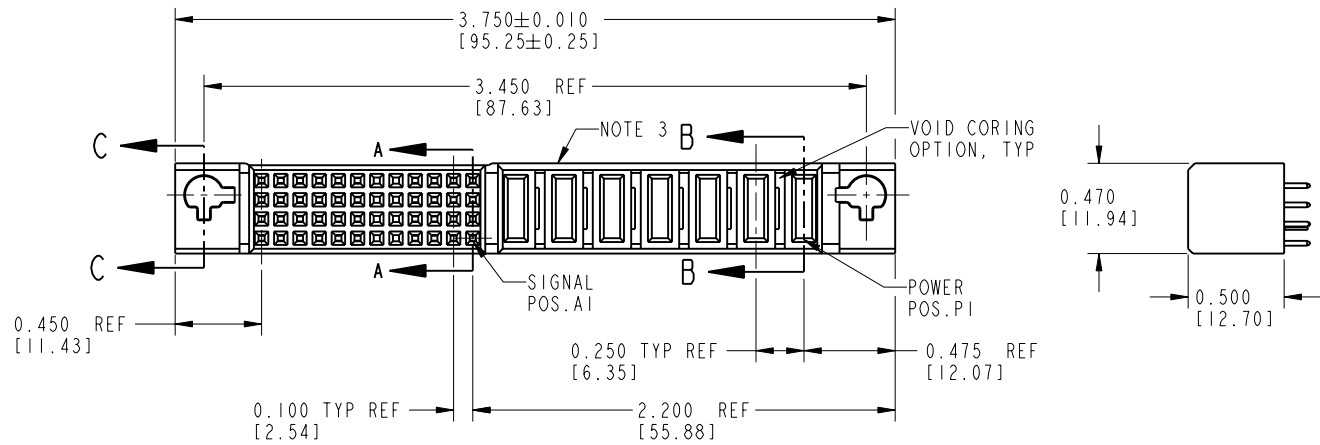


Tous droits strictement réservés. Reproduction ou communication o des liens interdite sous quelque forme que ce soit sans autorisation écrite du propriétaire. Propriété de c FCI. Droits de reproduction FCI.

**FCI**

All rights strictly reserved. Reproduction or issue to third parties in any form, whenever is not permitted without written authority from the proprietor. Property of FCI. Copyright FCI.

PRODUCT No.	ROWS	SIGNAL										POWER							E2				
		E1	12	11	10	9	8	7	6	5	4	3	2	1	P7	P6	P5	P4		P3	P2	P1	
51602-XX001 NOTE: 2	D C B A		E	E	E	E	E	E	E	E	X	E	E	E	E	PA	PA	X	PA	PA	PA	PA	



CODE	CONTACT TYPE
E	SIGNAL
PA	POWER
HA	HOLD-DOWN
X	OMITTED

mat'l code				NOTE 1		tolerances unless otherwise specified		CUSTOMER		<b>FCI</b> www.fciconnect.com	
ltr	ecn no.	dr	date	linear	.XX±.01/.X±.3		COPY		title 7P + 48S VERTICAL SOLDER RECEPTACLE		
A	V81897	DLW	10/30/98		.XXX±.005/.XX±.13		projection				
B	V90098	DLW	01/22/99	angles	.XXX±.0020/.XXX±.051		INCH/MM		product family PWRBLADE code 213		
C	V01363	LSS	06-05-00		0° ± 2°		scale 1:1		size dwg no 51602 sheet 1 of 3		
D	V10810	EKK	01-31-01	dr	D. WOLFORD	10/30/98	cage code 22526				
E	V11164	LSS	04/09/01	engr	J. BROWN	10/30/98					
F	DG05-0363	GuoJM	09/29/05	chr	J. BROWN	10/30/98					
sheet index		revision sheet		F	F	F					
		1 2		1	2	3					

Pro/E

PDM: Rev:F

STATUS: Released

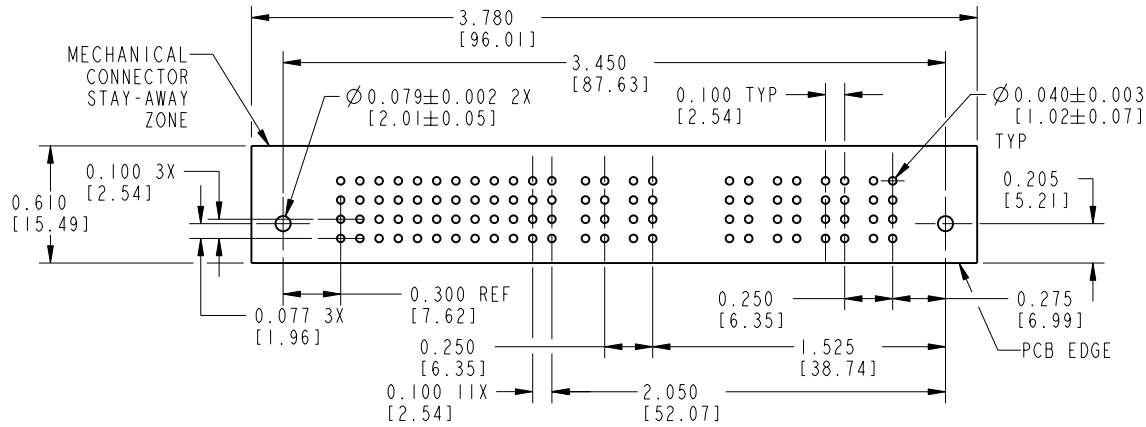
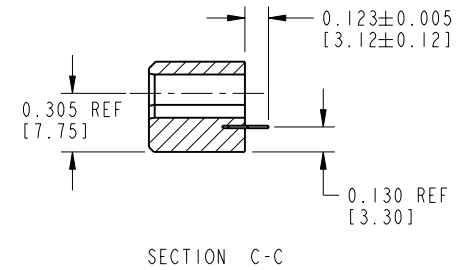
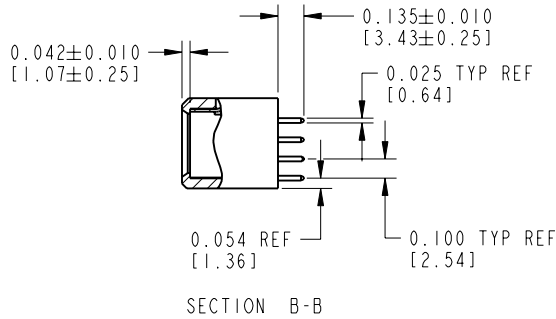
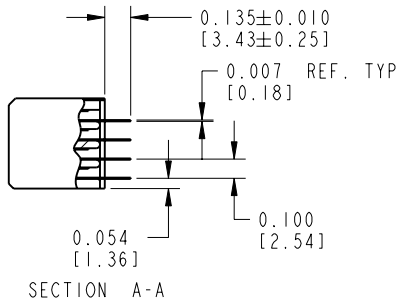
Printed: Dec 20, 2010

Tous droits strictement réservés. Reproduction ou communication o des liers interdite sous quelque forme que ce soit sans autorisation écrite du propriétaire. Propriete de c FCI. Droits de reproduction FCI.

All rights strictly reserved. Reproduction or issue to third parties in any form, whatever is not permitted without written authority from the proprietor. Property of FCI. Copyright FCI.

PRODUCT NUMBER

51602-XX001\_\_  
NOTE: 2



RECOMMENDED PCB LAYOUT

mat'l code		NOTE 1		tolerances unless otherwise specified		CUSTOMER		 www.fciconnect.com	
lfr	ecn no.	dr	date	linear	.XX±.01/.X±.3	COPY			
F				angles	.XXX±.005/.XX±.13	 projection		title	
				dr	.XXX±.0020/.XXX±.051	 INCH/MM		7P + 48S	
				engr	0° ± 2°	 scale 1:1		VERTICAL SOLDER RECEPTACLE	
				chr	D. WOLFORD 10/30/98	product family		PWRBLADE	
				appd	J. BROWN 10/30/98	size		A	
					J. BROWN 10/30/98	dwg no		51602	
sheet index	revision sheet					code		213	
						sheet		2	

cage code 22526

Pro/E

PDM: Rev:F

STATUS: Released

Printed: Dec 20, 2010

Tous droits strictement réservés. Reproduction ou communication o des liers interdite sous quelque forme que ce soit sans autorisation écrite du propriétaire. Propriete de c FCI. Droits de reproduction FCI.

All rights strictly reserved. Reproduction or issue to third parties in any form, whenever is not permitted without written authority from the proprietor. Property of FCI. Copyright FCI.

1 | 2

3 |

4

**PRODUCT NUMBER**

51602-XX001\_\_  
NOTE: 2

**CONNECTOR NOTES:**

1. HOUSING MATERIAL: UL 94 V-0 GLASS FILLED HIGH TEMP THERMOPLASTIC  
POWER CONTACT MATERIAL: COPPER ALLOY  
SIGNAL CONTACT MATERIAL: COPPER ALLOY

2. PLATING:

51602-XX001 Singal Pin:30u"/0.76um Au OVER 50u"/1.27um Ni ON THE CONTACT AREA,  
AND 100u"/2.54um SnPb PLATING OVER 50u"/1.27um Ni ON THE TERMINATION SECTION.  
Power Pin:30u"/0.76um Au OVER 50u"/1.27um Ni ON THE CONTACT AREA,  
AND 100u"/2.54um SnPb PLATING OVER 50u"/1.27um Ni ON THE TERMINATION SECTION.

51602-XX001LF Singal Pin:30u"/0.76um Au OVER 50u"/1.27um Ni ON THE CONTACT AREA,  
AND 78u"/2.00um Sn PLATING OVER 50u"/1.27um Ni ON THE TERMINATION SECTION.  
Power Pin:30u"/0.76um Au OVER 50u"/1.27um Ni ON THE CONTACT AREA,  
AND 78u"/2.00um Sn PLATING OVER 50u"/1.27um Ni ON THE TERMINATION SECTION.

PART NUMBER 51602-XX001LF MEETS EUROPEAN UNION DIRECTIVE AND JOTHER COUNTRY REGULATIONS AS DESCRIBED IN GS-22-008.

THE HOUSING WILL WITHSTAND EXPOSURE TO 260° PEAK TEMPERATURE FOR 10 SECONDS IN A WAVE SOLDER APPLICATION WITH A CIRCUIT BOARD.


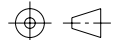
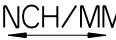
3. "MANUFACTURER" NAME, P/N, AND DATE CODE TO APPEAR ON THIS SURFACE

4. PRODUCT SPECIFICATION GS-12-149

**PCB NOTES:**

- 5. ALL DIMENSIONS ARE BASIC UNLESS OTHERWISE SPECIFIED.
- 6. ALL THROUGH HOLES ARE LOCATED WITH A TRUE POSITION OF 0.004 [0.10]
- 7. ALL HOLE DIAMETERS ARE FINISHED HOLE SIZE
- 8. Ø0.079[2.01] THROUGH HOLES ARE UNPLATED.
- 9. Ø0.0453±0.0010 [1.151±0.025] DRILLED HOLES PLATED WITH 0.0003 [0.008] MIN SnPb OVER 0.001 [0.03] TO 0.003 [0.08] Cu PLATING TO ACHIEVE A Ø0.040±0.003 [1.02±0.07] HOLE.

**CONFIDENTIAL**

mat'l code		NOTE 1		tolerances unless otherwise specified		CUSTOMER		 <b>FCI</b> www.fciconnect.com	
ltr	ecn no.	dr	date	linear	.XX±.01/.X±.3	COPY			
F				projection	.XXX±.005/.XX±.13			title	
				angles	.XXX±.0020/.XXX±.051			7P + 48S	
				dr	0° ± 2°	 INCH/MM		VERTICAL SOLDER RECEPTACLE	
				engr	D. WOLFORD 10/30/98			product family	
				chr	J. BROWN 10/30/98	scale		size	
				appd	J. BROWN 10/30/98			dwg no	
sheet index		revision sheet				1:1		A	
								51602	
								3	

1 | 2

Pro/E

3 |

coge code 22526

4