

SEALING PLUG 17X17 RD - Closing cap



1421861

<https://www.phoenixcontact.com/pc/products/1421861>

Please be informed that the data shown in this PDF document is generated from our online catalog. Please find the complete data in the user documentation. Our general terms of use for downloads are valid.

Closing cap, color: red



Commercial data

Item number	1421861
Packing unit	10 pc
Minimum order quantity	10 pc
Product key	BF7DZX
Catalog page	Page 707 (C-2-2019)
GTIN	4055626287614
Weight per piece (including packing)	3.81 g
Weight per piece (excluding packing)	3.3 g
Customs tariff number	39235090
Country of origin	DE

SEALING PLUG 17X17 RD - Closing cap



1421861

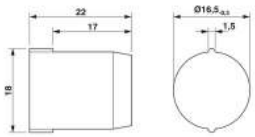
<https://www.phoenixcontact.com/pc/products/1421861>

Technical data

Product properties

Product type	Sealing plugs
--------------	---------------

Dimensions

Dimensional drawing	
Width	16.50 mm
Length	22 mm
Diameter	16.5 mm
	16.5 mm

Material specifications

Material	PA
----------	----

Cable/line

Halogen-free	yes
--------------	-----

Environmental and real-life conditions

Ambient conditions

Ambient temperature (operation)	-60 °C ... 100 °C
---------------------------------	-------------------

SEALING PLUG 17X17 RD - Closing cap

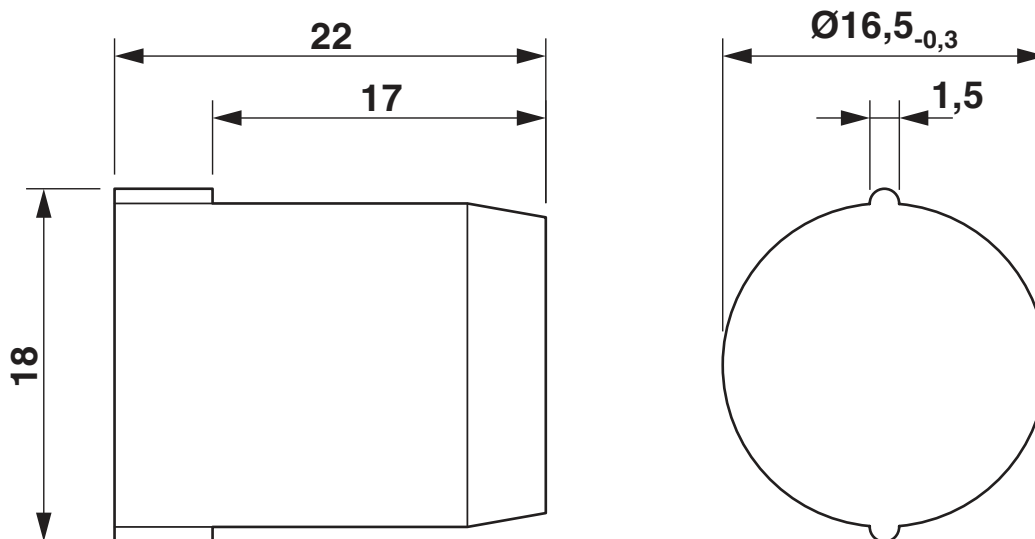


1421861

<https://www.phoenixcontact.com/pc/products/1421861>

Drawings

Dimensional drawing



Dimensional drawing

SEALING PLUG 17X17 RD - Closing cap



1421861

<https://www.phoenixcontact.com/pc/products/1421861>

Classifications

ECLASS

ECLASS-11.0	27144433
ECLASS-13.0	27140805

ETIM

ETIM 8.0	EC003608
----------	----------

UNSPSC

UNSPSC 21.0	39121300
-------------	----------

SEALING PLUG 17X17 RD - Closing cap



1421861

<https://www.phoenixcontact.com/pc/products/1421861>

Environmental product compliance

China RoHS	Environmentally friendly use period: unlimited = EFUP-e No hazardous substances above threshold values
------------	---

Phoenix Contact 2023 © - all rights reserved
<https://www.phoenixcontact.com>

PHOENIX CONTACT GmbH & Co. KG
Flachmarktstraße 8
D-32825 Blomberg
+49 (0) 5235-3 00
info@phoenixcontact.com