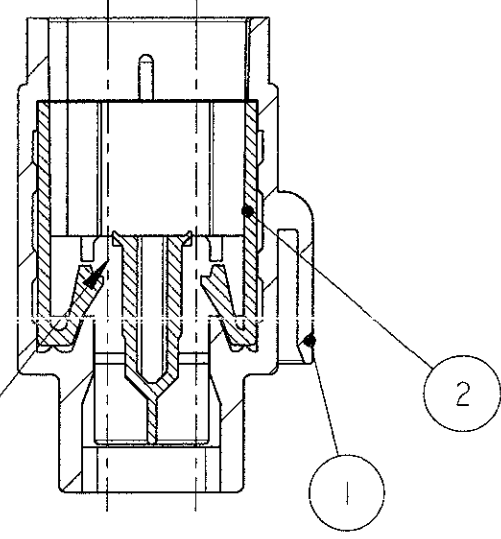
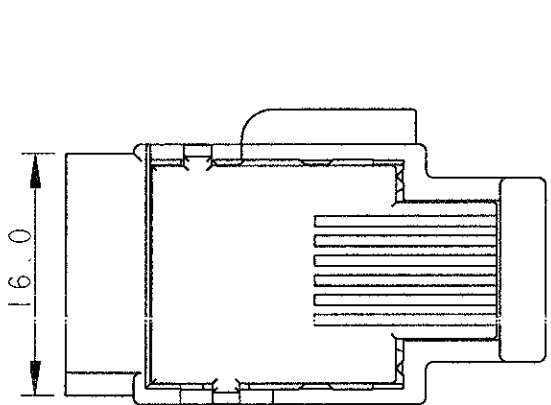


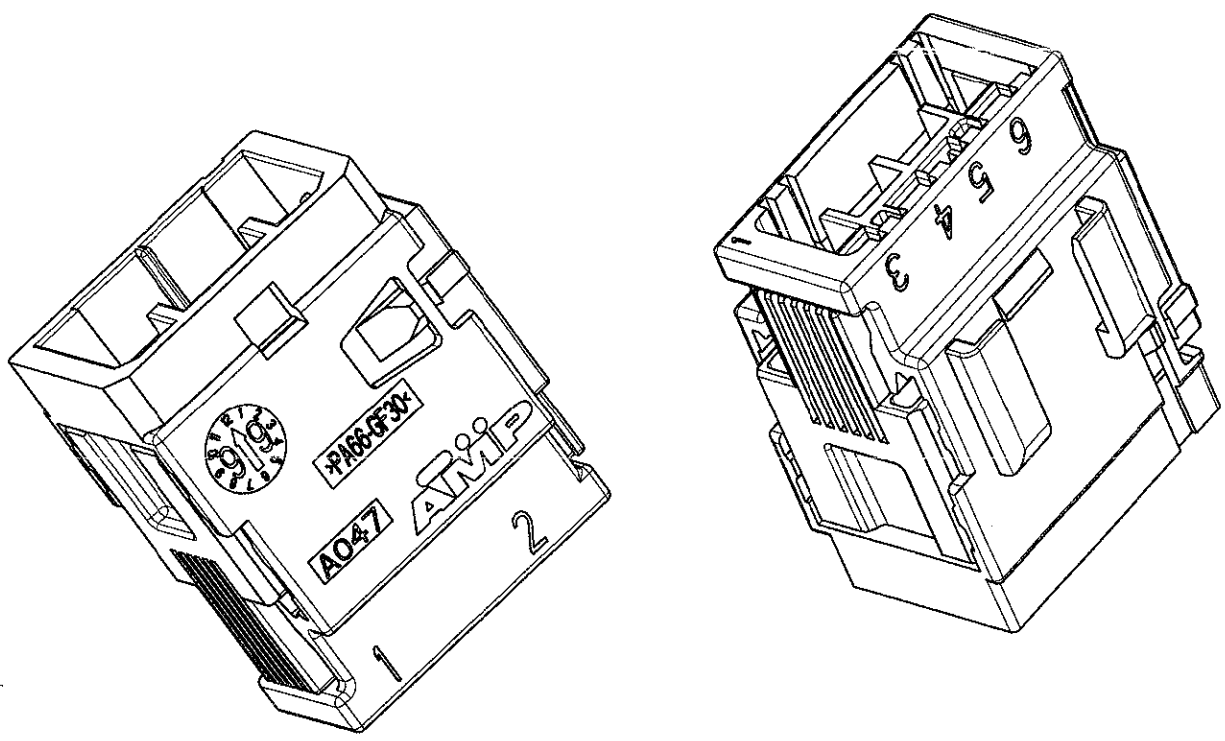
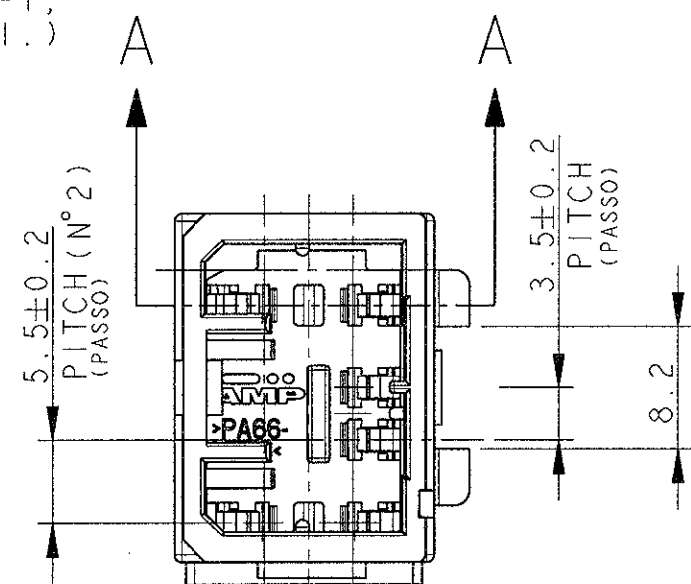
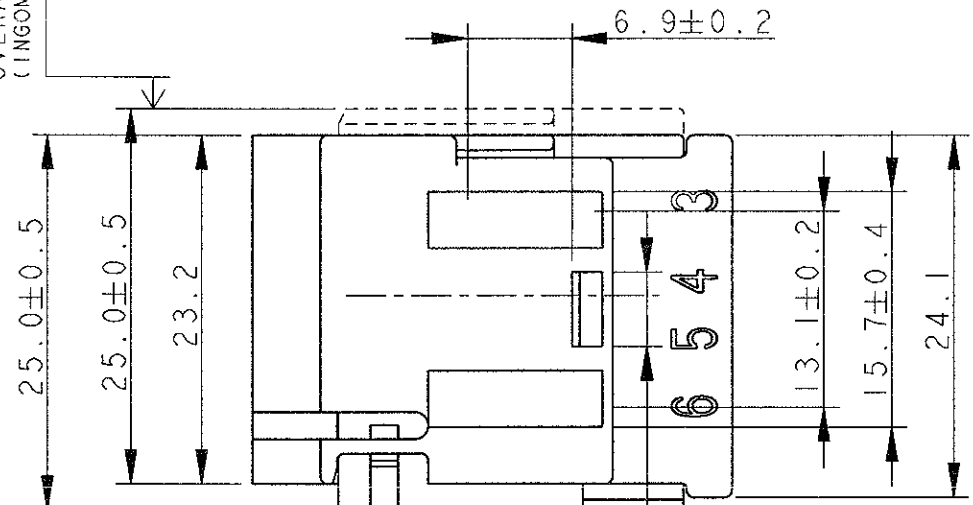
| REVISIONS | | DATE | DWN DIS. | APVD APP. |
|-----------|---------|--|-----------|-----------|
| P | LTR REV | DESCRIZIONE | | |
| | A | FIRST ISSUE EC ET00-0065-99 (WAS 96-51234) | MAR99 | A.M. O.C. |
| | A1 | RELEASED FOR PRODUCTION ET00 0190-99 | 06JUL99 | G.S. O.C. |
| | A2 | ADDED POL. -1 ET00 0161-00 | 11JUL00 | D.B. O.C. |
| | A3 | RELEASED FOR PRODUCTION POL. -1 (ET00-0063-02) | 04APR02 | M.P. O.C. |
| | B | ADDED LOCKING DEVICE (ET00-0074-03) | 22oct03 | M.P. O.C. |
| | B1 | REVISED PER ECO-20-003218 | 15MAY2020 | AP VN |

SECTION A-A
(SEZIONE A-A)



6 CAV. FOR NEW GENERATION MULTILOCK TAB CONTACT P/N 284080-1, 284107-1 AND 284108-1.
 (6 CAVITA' PER CONTATTI MASCHI NUOVA GENERAZIONE MULTILOCK P/N 284080-1, 284107-1 E 284108-1.)

OVERALL DIM. WITH SEC. LOCK CLOSED:
(INGOMBRO CON AGGANCIO SECONDARIO CHIUSO:)



P/N 282992-2 AS SHOWN
(P/N 282992-2 COME MOSTRATO)

OVERALL DIM. WITH SEC. LOCK OPENED:
(INGOMBRO CON AGGANCIO SECONDARIO APERTO:)

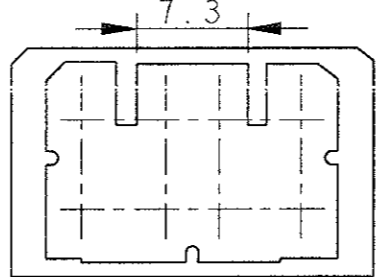
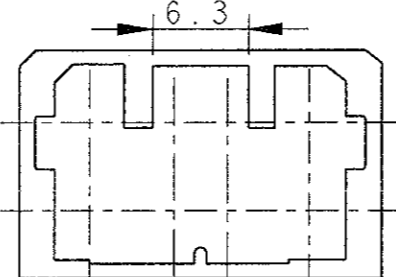
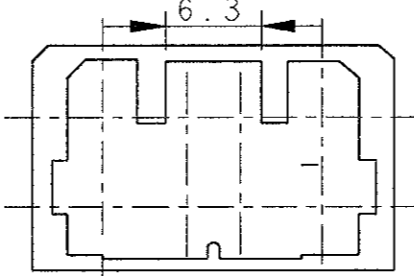
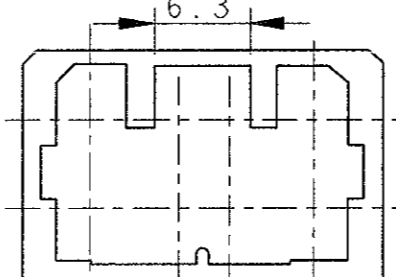
SUPPLIED WITH SEC. LOCKING DEVICE ON PRE-ASSEMBLED POSITION (FORNITO CON IL DISPOSITIVO DI AGGANCIO SECONDARIO IN POS. PRE-ASSEMBLATO)


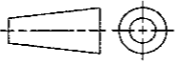
FOR POLARIZATION DETAILS AND COUNTERPARTS P/N'S SEE SHEET 2 (PER DETTAGLIO POLARIZZAZIONI E P/N'S CONTROPARTI VEDERE FOGLIO 2)

| ITEM | DESCRIPTION (DESCRIZIONE) | FINISH/COLOUR (FINITURA/COLORE) | MATERIAL (MATERIALE) | PART NUMBER (NUMERO) |
|------|---|---------------------------------|----------------------|-----------------------------|
| 2 | TAB HOUSING (BLOCCHETTO PORTA MASCHI) | SEE SHEET 2 VED. FOGLIO 2 | PA 66-G.F. | SEE SHEET 2 VED. FOGLIO 2 |
| 1 | SEC. LOCKING DEVICE (AGGANCIO SECONDARIO) | SEE SHEET 2 (VED. FOGLIO 2) | PA 66-G.F. | SEE SHEET 2 (VED. FOGLIO 2) |

| | | | | |
|--|--|---|----------------------|--|
| THIS DRAWING IS A CONTROLLED DOCUMENT FOR AMP INCORPORATED. IT IS SUBJECT TO CHANGE AND THE CONTROLLING ENGINEERING ORGANIZATION SHOULD BE CONTACTED FOR THE LATEST REVISION. / QUESTO DISEGNO È UN DOCUMENTO DI PROPRIETÀ E RESPONSABILITÀ DELL'AMP INCORPORATED. È SOGGETTO A VARIAZIONI. PER OTTENERE L'ULTIMA REVISIONE DEL DISEGNO CONTATTARE L'UFFICIO TECNICO RESPONSABILE. | | DWN /DIS. 04MAR99 | | NAME: 6 POS. NEW GENERATION TAB CONNECTOR for trucks |
| DIMENSIONS: DIMENSIONI: mm | | A. MARANGON | | |
| TOLERANCES UNLESS OTHERWISE SPECIFIED: TOLLERANZE: SE NON DIVERSAMENTE SPECIFICATO | | CHK /CONT. 04MAR99 | SIZE: A3 | CAGE CODE: 00779 |
| 0 PLC /DEC ±0.3 1 PLC /DEC ±0.3 2 PLC /DEC ±0.3 3 PLC /DEC ± 4 PLC /DEC ± ANGLES /ANGOLI ±2 | | Q. CANUTO | | |
| MATERIAL: SEE TABLE | | APVD /APP. 04MAR99 | DRAWING NO: C=282992 | SCALE: 2:1 |
| FINISH: - | | A. GENTA | | |
| WEIGHT / PESO: 7.0 g | | PRODUCT SPEC: 108-20175 | SHEET: 1 OF 2 | REV: B1 |
| APPLICATION SPEC: 114-20095 | | WEIGHT / PESO: 7.0 g | | |
| CUSTOMER DRAWING | | DESIGN FOR CLIENT: SOLO PER RIFERIMENTO | SCALE: 2:1 | |

| P | LTR | DESCRIPTION | DATE | DWN | APVD |
|---|-----|-------------|------|-----|------|
| - | | SEE SHEET 1 | | | |
| | | | | | |
| | | | | | |

| P/N | ITEM 1-2 COLOR (COLORE) | PART REV | GRAPHIC REPRESENTATION MATING FACE (RAPPRESENTAZIONE GRAFICA LATO ACCOPPIAMENTO) | P/N FREE HANGING COUNTERPART (CONTROPARTE VOLANTE) |
|----------|---|-------------|---|--|
| 282992-1 | WHITE (BIANCO) | B |  | 282989-1 |
| 282992-2 | BLACK (NERO) | B |  | 282989-2 |
| 282992-3 | BLUE (BLU) | B |  | 282989-3 |
| OBSOLETE | 282992-4 GREY (GRIGIO) | B |  | 282989-4 |

| | | | |
|--|--|---|---|
| <small>THIS DRAWING IS A CONTROLLED DOCUMENT FOR AMP INCORPORATED. IT IS SUBJECT TO CHANGE AND THE CONTROLLING ENGINEERING ORGANIZATION SHOULD BE CONTACTED FOR THE LATEST REVISION.</small> | | DWN A. MARANGON 04MAR99 |  |
| DIMENSIONS: mm | | CHK O. CANUTO 04MAR99 | |
|  | | APVD A. GENTA 04MAR99 | |
| TOLERANCES UNLESS OTHERWISE SPECIFIED: 0 PLC ±0.3 1 PLC ±0.3 2 PLC ±0.3 3 PLC ± 4 PLC ± ANGLES ±30° | | PRODUCT SPEC SEE SHEET1 (VEDERE FOGLIO1) | |
| MATERIAL SEE SHEET1 (VEDERE FOGLIO1) | | APPLICATION SPEC SEE SHEET1 (VEDERE FOGLIO1) | NAME 6 POS. NEW GENERATION TAB CONNECTOR for trucks |
| | | WEIGHT SEE SHEET1 (VEDERE FOGLIO1) | SIZE A3 |
| | | FINISH - | CAGE CODE 00779 |
| | | | DRAWING NO C-282992 |
| | | | RESTRICTED TO - |
| | | CUSTOMER DRAWING | SCALE 2:1 SHEET 2 OF 2 REV B1 |