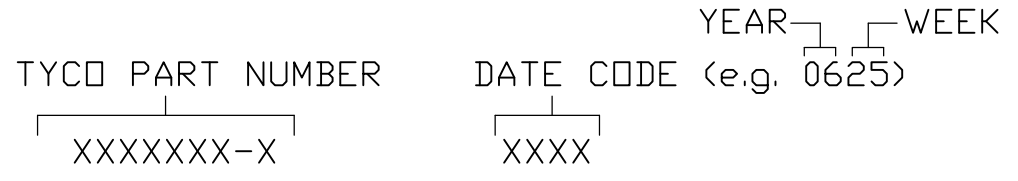


THIS DRAWING IS UNPUBLISHED. RELEASED FOR PUBLICATION
 © COPYRIGHT BY TYCO ELECTRONICS CORPORATION. ALL RIGHTS RESERVED.

LOC	DIST	REVISIONS					
GP	00	P	LTR	DESCRIPTION	DATE	DWN	APVD
			B	REV PER ECO-07-007230	29MAR07	RG	SF

△ MINIMUM 5oz. Cu RECOMMENDED FOR USE WITH PC BOARD.

5. ITEMS PROVIDED TO THIS SPECIFICATION TO BE PERMANENTLY IDENTIFIED PER THE FOLLOWING IDENTIFIER:



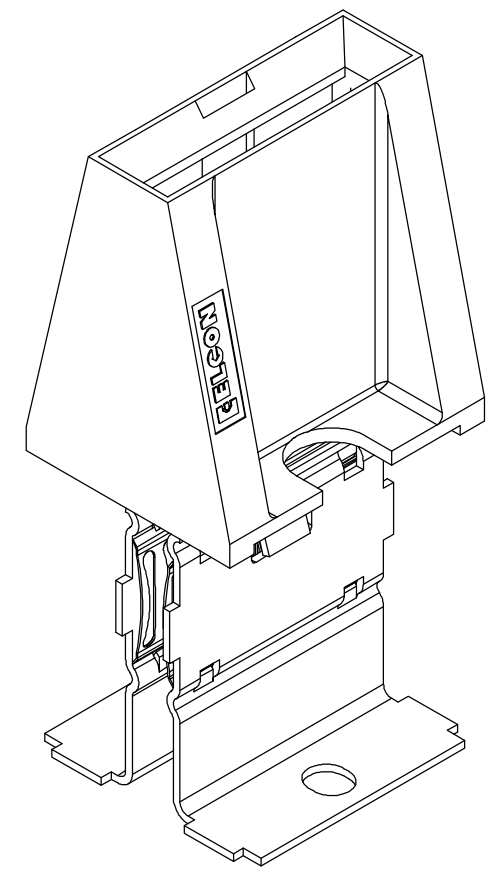
4. ALL DIMENSIONS SHOWN ACROSS A CENTERLINE (C) SHALL BE CENTRALIZED WITHIN THE TOLERANCE INDICATED FOR THAT DIMENSION.

3. FINISHES:
 CROWN HOLDER: GOLD PLATED, .000030 MIN THICK WITH OVERALL GOLD FLASH OVER NICKEL PLATED, .000040 MIN THICK

2. MATERIALS:
 INSULATOR: THERMOPLASTIC, GLASS REINFORCED, UL94V-0 FLAMMABILITY RATED, COLOR-BLACK

CROWN HOLDER: COPPER ALLOY
 CROWN BAND: COPPER ALLOY
 MATING BLADE: COPPER ALLOY WITH GOLD OR NICKEL PLATED

1. PART NUMBER CHANGES AND OR DESIGN CHANGES AFFECTING ITEM INTERCHANGEABILITY REQUIRE PRIOR ELCON APPROVAL AND AUTHORIZATION BY REVISION TO THIS DRAWING.



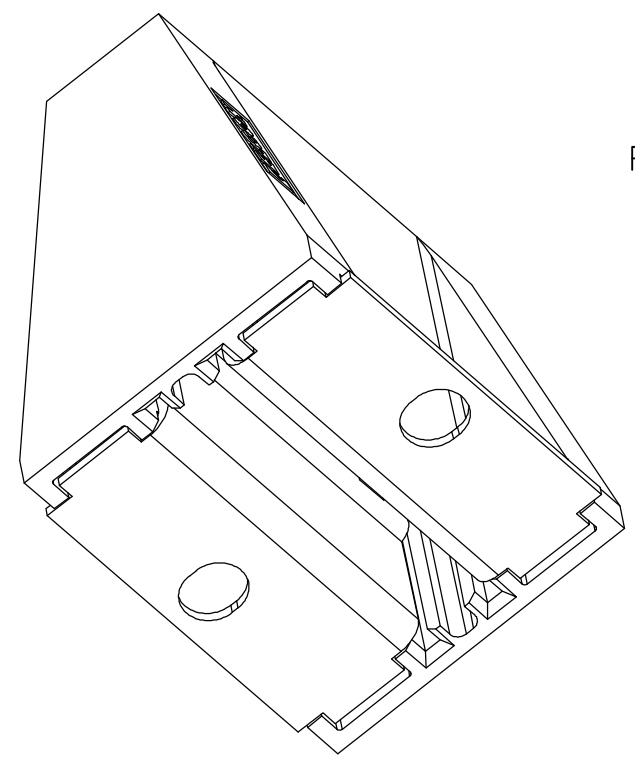
BEFORE ASSEMBLED

AS SHOWN	1643902-1
DESCRIPTION	PART NUMBER

THIS DRAWING IS A CONTROLLED DOCUMENT.		DWN 02/25/06 HA/GRZYBOWSKI	Tyco Electronics Corporation Harrisburg, PA 17105-3608	
DIMENSIONS: INCHES	TOLERANCES UNLESS OTHERWISE SPECIFIED:	CHK -	NAME CHAU/FLICKINGER	
	0 PLC ± -	APVD 02/25/06 CHAU/FLICKINGER	PRODUCT SPEC	
	1 PLC ± -	PRODUCT SPEC	APPLICATION SPEC	
	2 PLC ± .02 [.3]		SIZE	CAGE CODE
	3 PLC ± .010 [0.25]		A3	00779
	4 PLC ± -		DRAWING NO	RESTRICTED TO
	ANGLES ± .5		C-1643902	-
MATERIAL	FINISH	WEIGHT	SCALE 2:1 SHEET 1 OF 3 REV B	
-	-	-	CUSTOMER DRAWING	

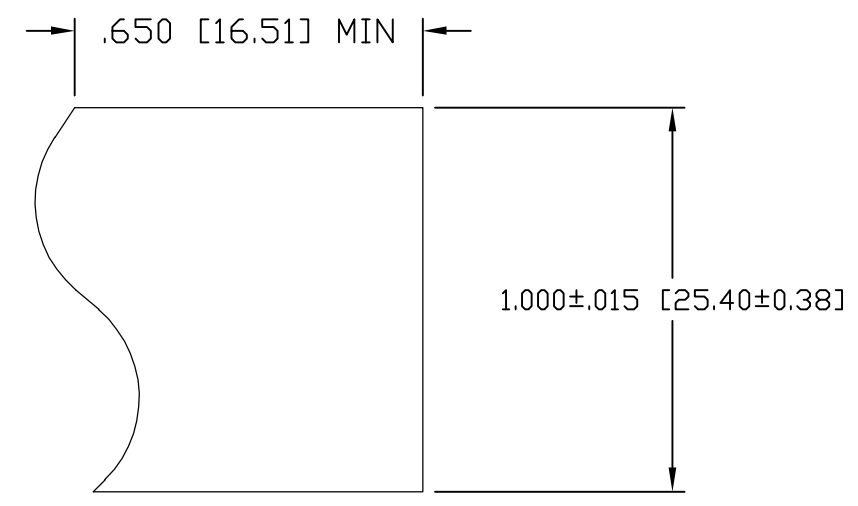
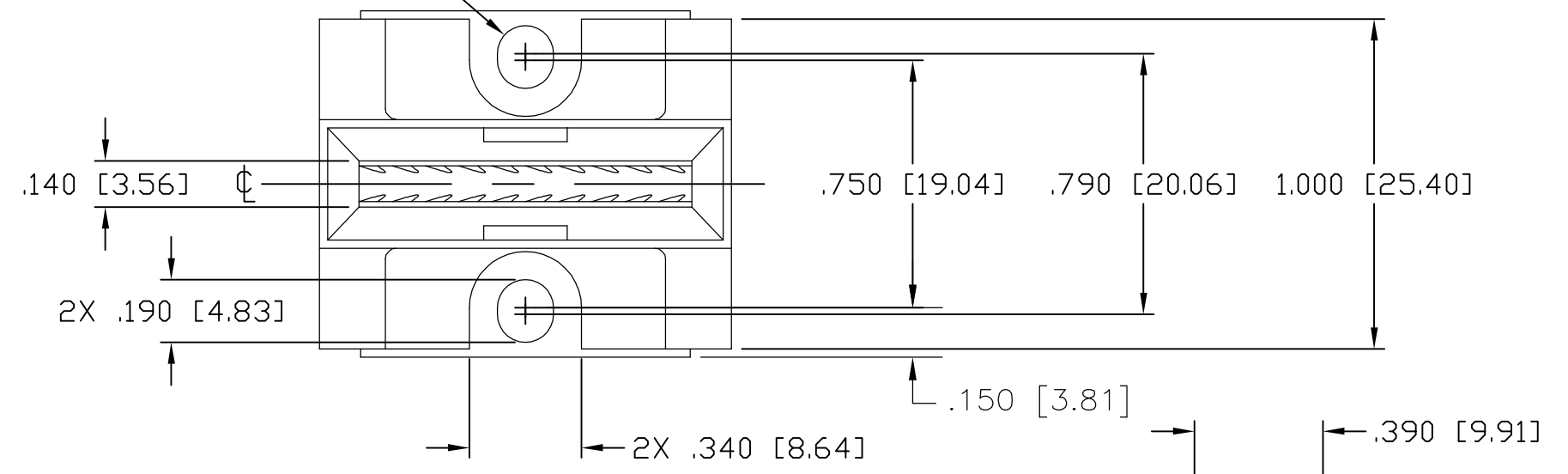
THIS DRAWING IS UNPUBLISHED. RELEASED FOR PUBLICATION
 © COPYRIGHT - BY TYCO ELECTRONICS CORPORATION. ALL RIGHTS RESERVED.

LOC	DIST	REVISIONS			
P	LTR	DESCRIPTION	DATE	DWN	APVD
GP	00	SEE SHEET 1	-	-	-

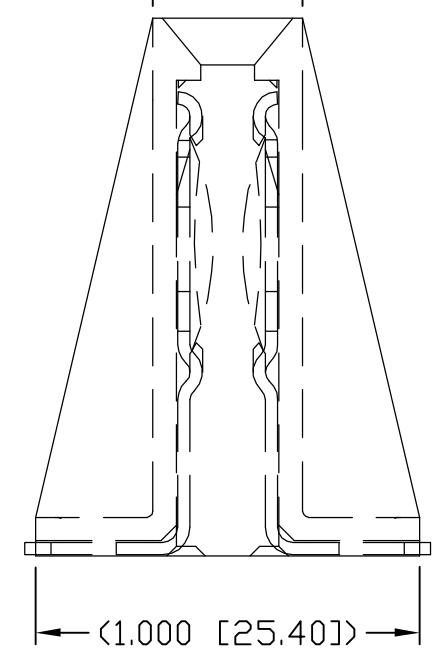
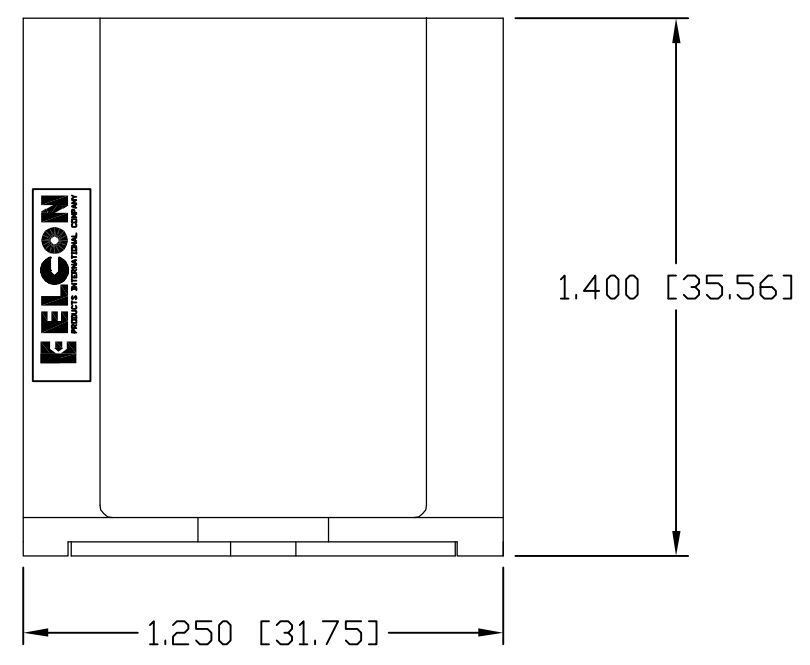


FEED-THRU VIEW

4X R.085 [R2.16]
 (CLEARANCE SLOT
 FOR #8 OR M4 SCREW)



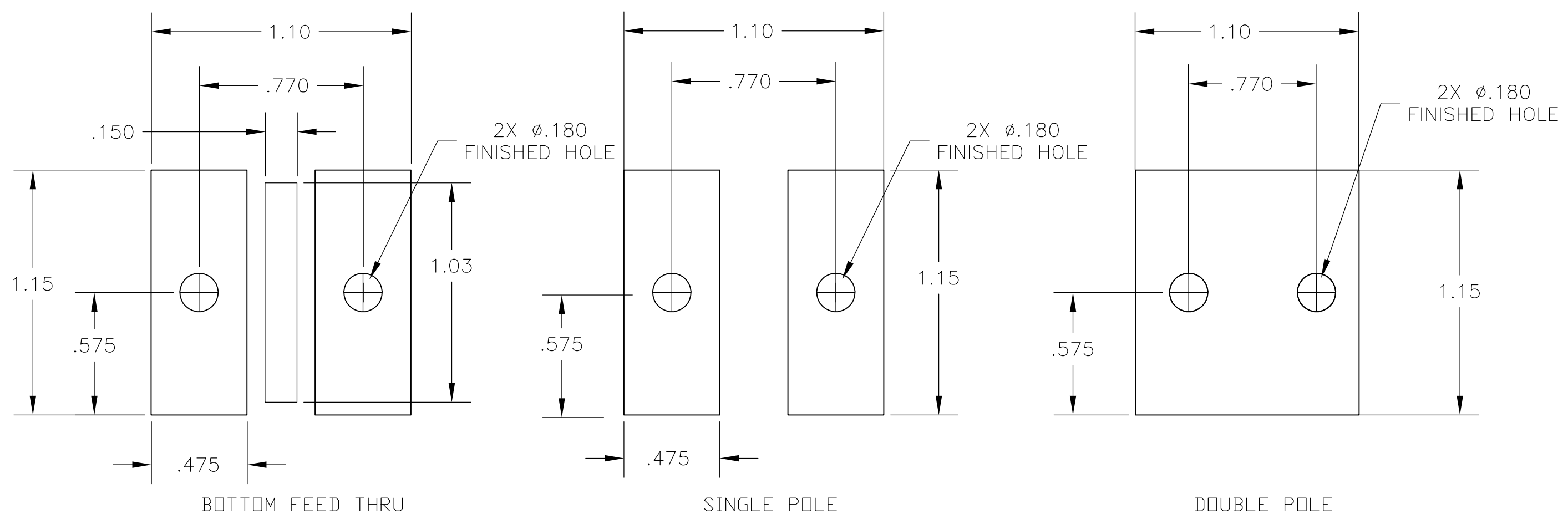
RECOMMENDED MATING BLADE



THIS DRAWING IS A CONTROLLED DOCUMENT.		DWN 02/25/06 HA/GRZYBOWSKI	Tyco Electronics Corporation Harrisburg, PA 17105-3608	
DIMENSIONS: INCHES	TOLERANCES UNLESS OTHERWISE SPECIFIED:	CHK -	NAME	
	0 PLC ± -	APVD 02/25/06 CHAU/Flickinger	CONNECTOR, CROWN CLIP DOUBLE POLE, FEED THRU	
	1 PLC ± -	PRODUCT SPEC -	SIZE	RESTRICTED TO
	2 PLC ± .02 [.3]	APPLICATION SPEC -	CAGE CODE	
	3 PLC ± .010 [0.25]	WEIGHT -	DRAWING NO	
	4 PLC ± -	CUSTOMER DRAWING	A3 00779	
MATERIAL -	FINISH -		SCALE 2:1	
			SHEET 2 OF 3	REV B

THIS DRAWING IS UNPUBLISHED. RELEASED FOR PUBLICATION
 © COPYRIGHT - BY TYCO ELECTRONICS CORPORATION. ALL RIGHTS RESERVED.

LOC	DIST	REVISIONS					
GP	00	P	LTR	DESCRIPTION	DATE	DWN	APVD
		-		SEE SHEET 1	-	-	-



RECOMMENDED PCB PAD LAYOUT

THIS DRAWING IS A CONTROLLED DOCUMENT.		DWN	02/25/06		Tyco Electronics Corporation Harrisburg, PA 17105-3608				
DIMENSIONS: INCHES		CHK	-						
TOLERANCES UNLESS OTHERWISE SPECIFIED:		APVD	02/25/06		NAME CHAU/FLICKINGER PRODUCT SPEC - APPLICATION SPEC -				
0 PLC ± - 1 PLC ± - 2 PLC ± .02 [.3] 3 PLC ± .010 [0.25] 4 PLC ± - ANGLES ± .5		PRODUCT SPEC		SIZE A3					
MATERIAL		WEIGHT		CAGE CODE		DRAWING NO		RESTRICTED TO	
-		-		00779		G-1643902		-	
CUSTOMER DRAWING				SCALE	SHEET		REV		
				2:1	3 OF 3		B		