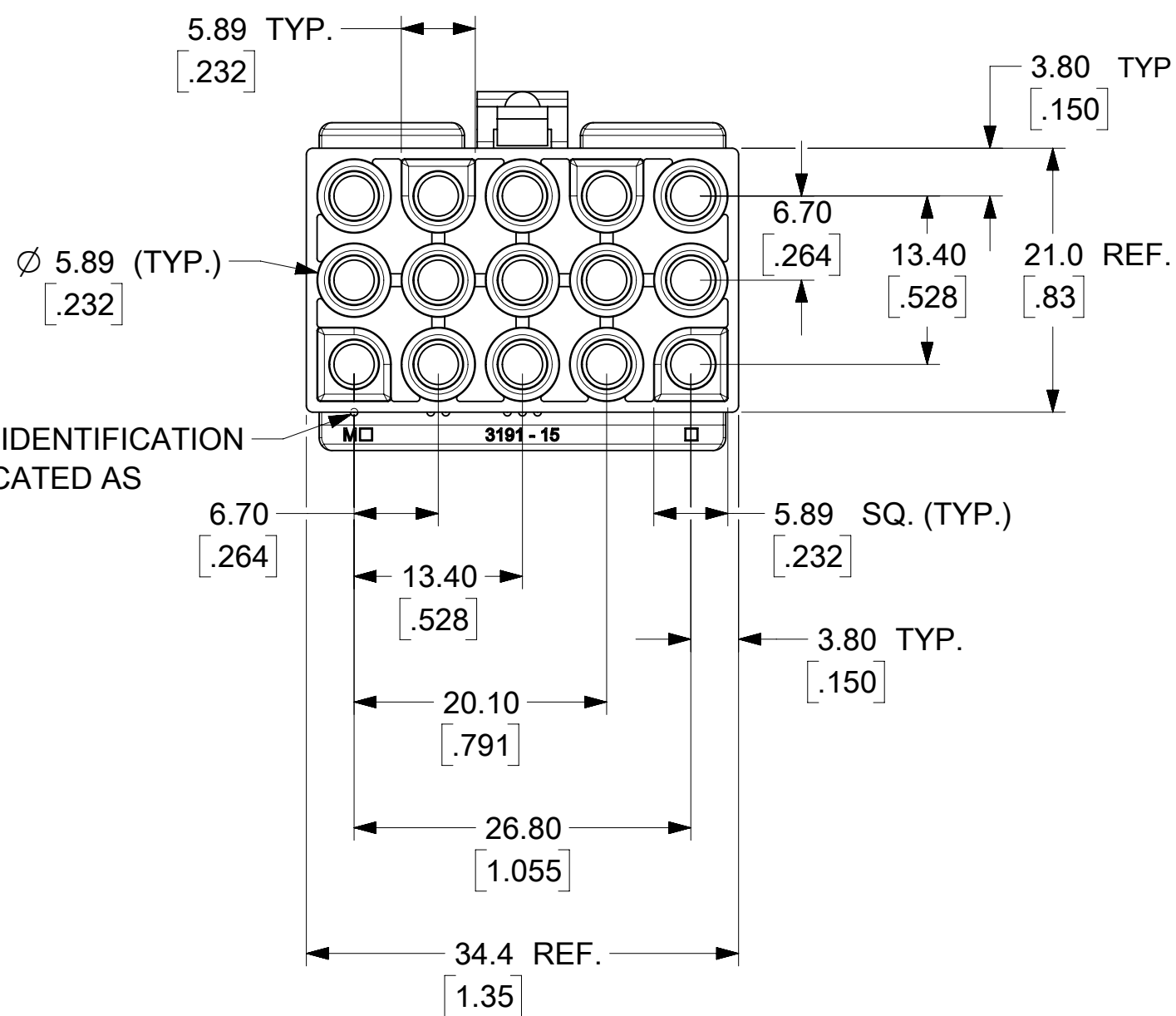
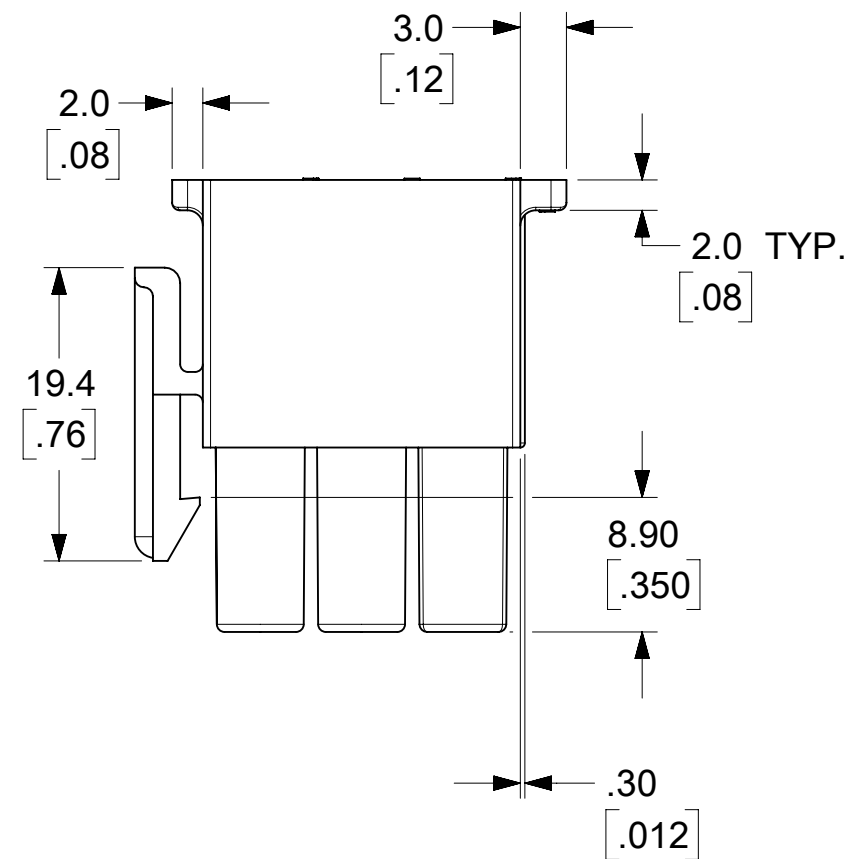
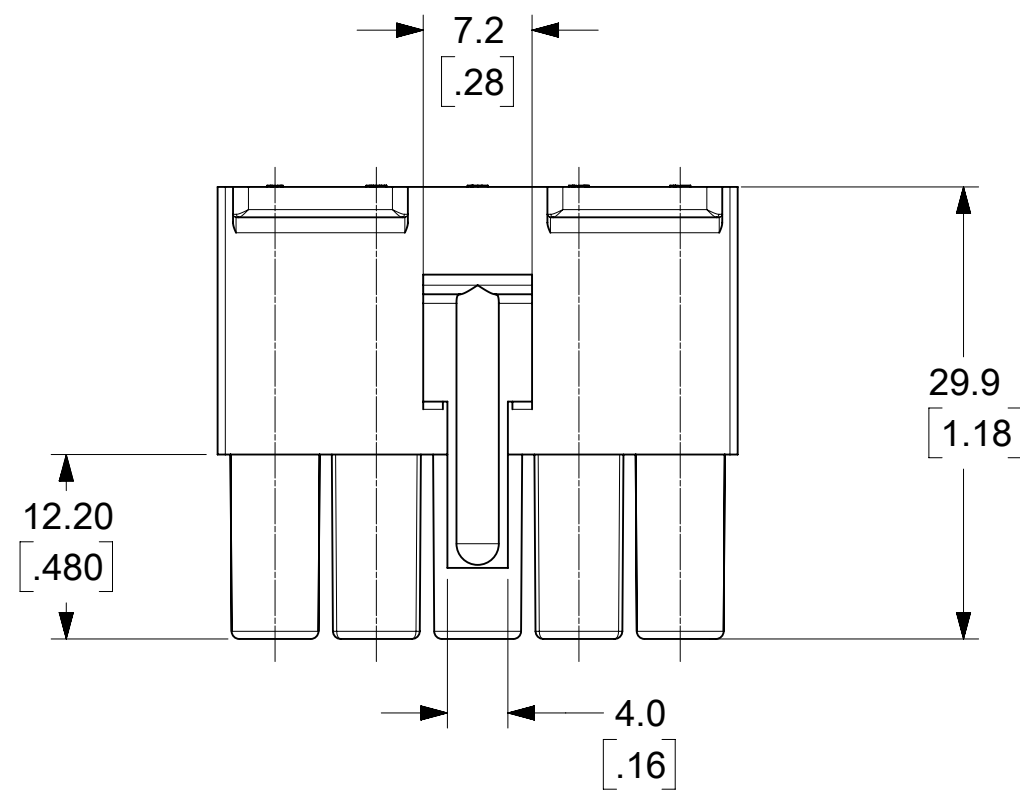
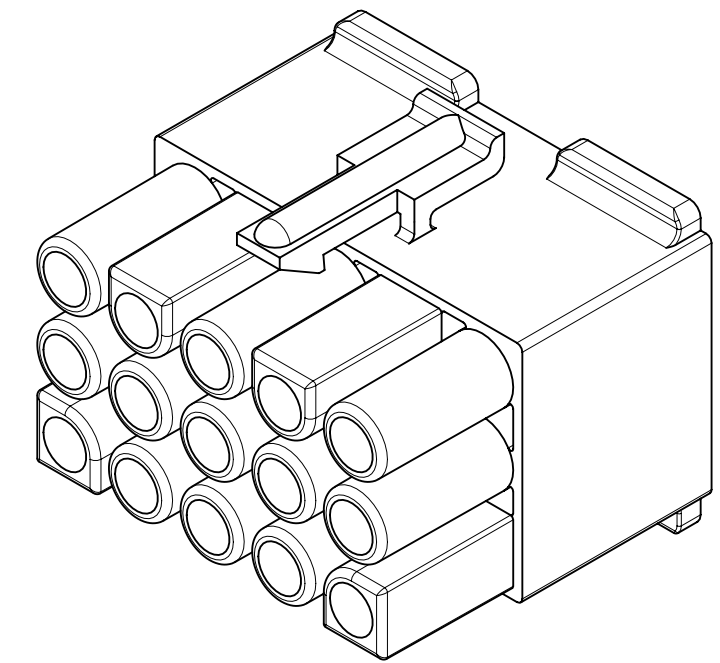
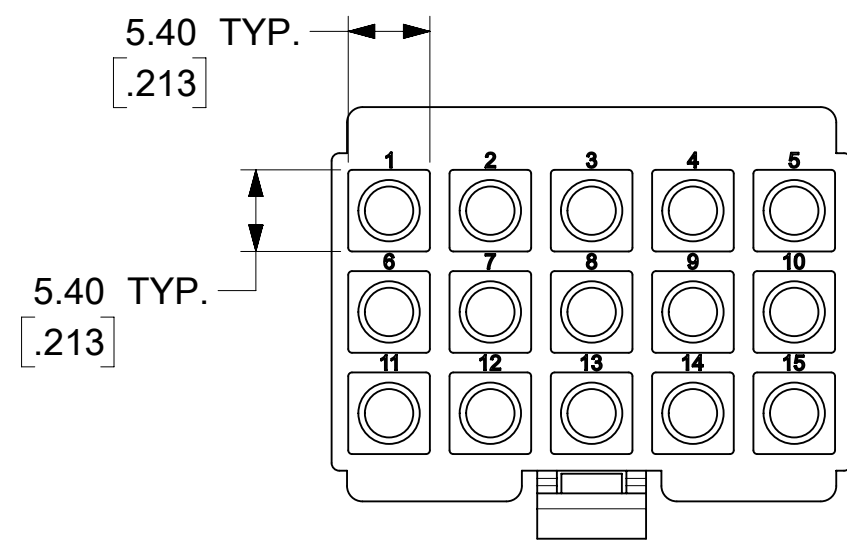


PLUG

FUNCTIONAL SYMBOLS	THIS DRAWING CONTAINS INFORMATION THAT IS PROPRIETARY TO MOLEX ELECTRONIC TECHNOLOGIES, LLC AND SHOULD NOT BE USED WITHOUT WRITTEN PERMISSION									
	DIMENSION UNITS		SCALE		CURRENT REV DESC: RECREATE IN NX					
$\frac{F}{A} = 0$	MM/INCH		2:1		molex .093/(2.36) HOUSING, PLUG AND RECEPTACLE, 15 CKT .264/(6.70) CTRS.					
$\frac{F}{C} = 0$	GENERAL TOLERANCES (UNLESS SPECIFIED)									
$\frac{F}{P} = 0$	4 PLACES		±	±	EC NO: 639672 DRWN: MKIPPER CHK'D: DSTEIER APPR: FSMITH 2019/10/09 2020/07/06 2020/07/13					
DIVISIONAL SYMBOLS		3 PLACES		±						
		2 PLACES		±	0.25	±	0.014	PRODUCT CUSTOMER DRAWING		
		1 PLACE		±	0.36	±	INITIAL REVISION:			
		0 PLACES		±	±	±	DRWN: AELHAG 2012/03/28 2012/04/25			
		ANGULAR TOL		±	°	DOCUMENT NUMBER: 31911500-SD DOC TYPE: PSD DOC PART: 000 REVISION: A				
		DRAFT WHERE APPLICABLE MUST REMAIN WITHIN DIMENSIONS		THIRD ANGLE PROJECTION		DRAWING		SERIES		SHEET NUMBER
				C-SIZE		3191		SEE CHART		GENERAL MARKET
										1 OF 3

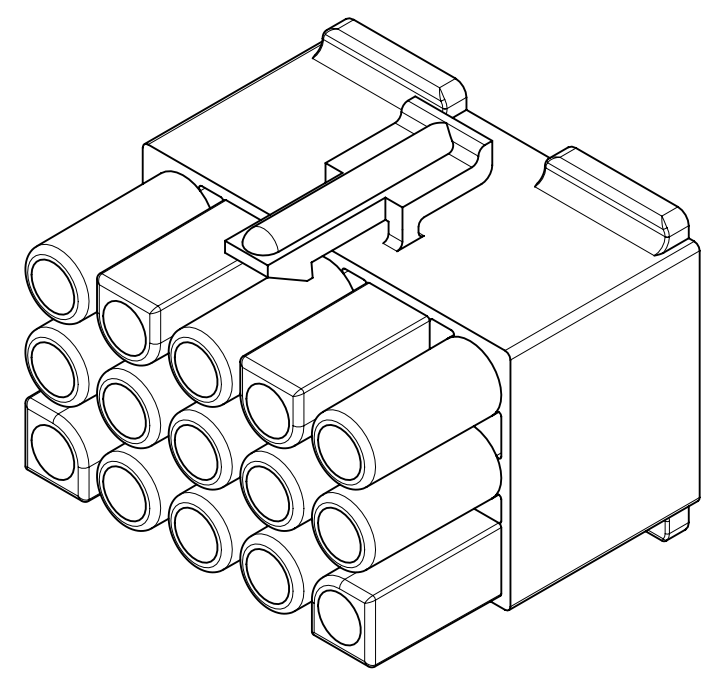
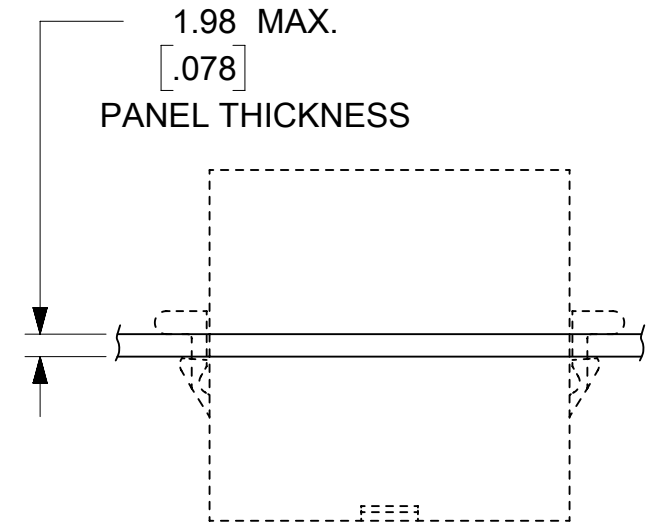
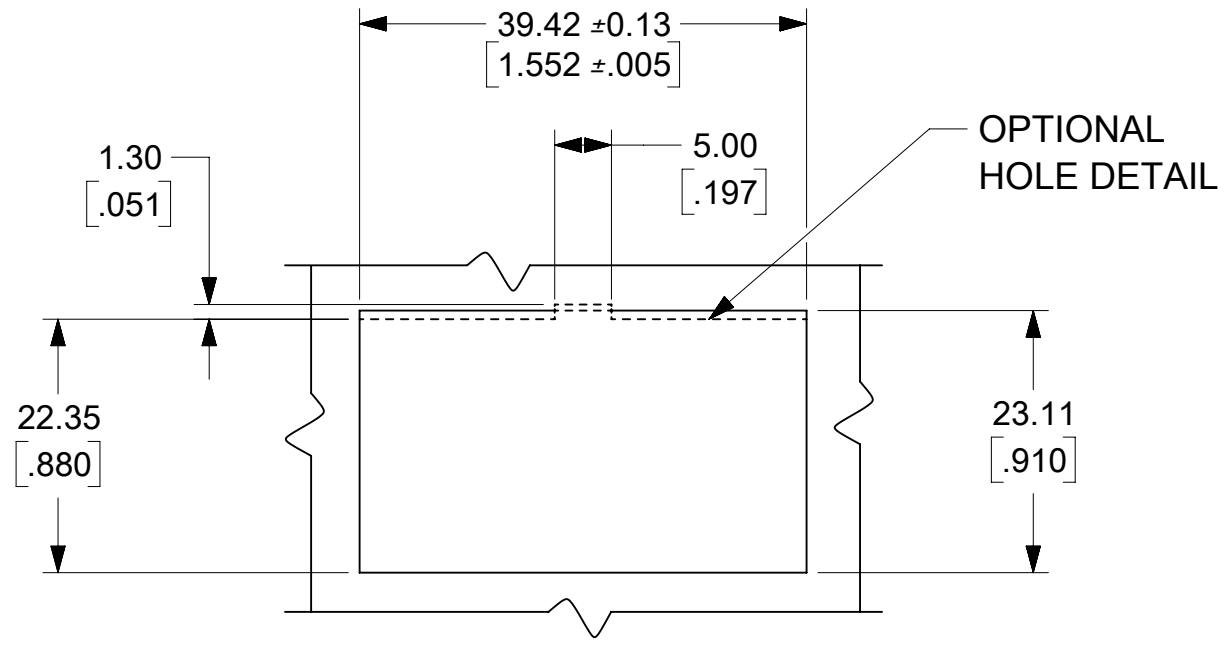


RECEPTACLE

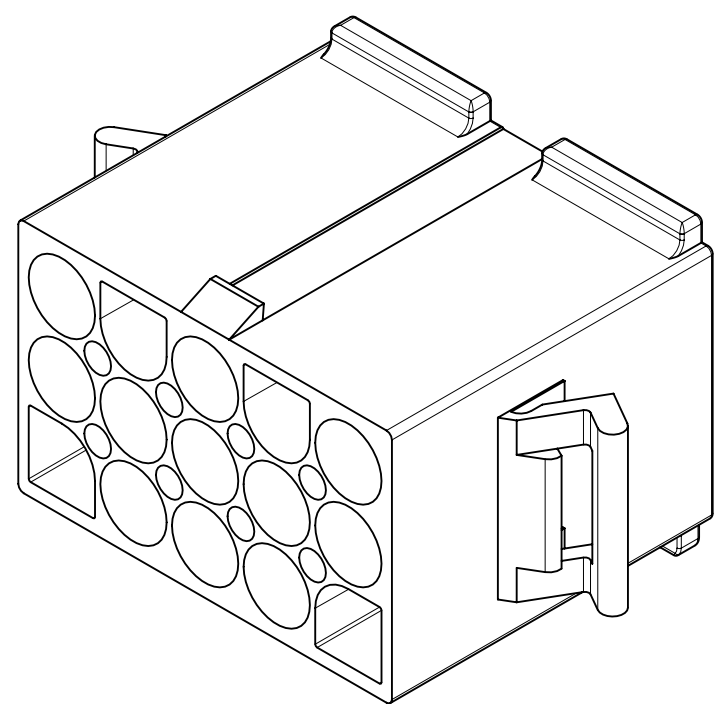
FUNCTIONAL SYMBOLS	THIS DRAWING CONTAINS INFORMATION THAT IS PROPRIETARY TO MOLEX ELECTRONIC TECHNOLOGIES, LLC AND SHOULD NOT BE USED WITHOUT WRITTEN PERMISSION				CURRENT REV DESC: RECREATE IN NX										
	DIMENSION UNITS		SCALE		EC NO: 639672										
$\frac{F}{A} = 0$	MM/INCH		2:1		DRWN: MKIPPER 2019/10/09				.093/(2.36) HOUSING, PLUG AND RECEPTACLE, 15 CKT .264/(6.70) CTRS.						
$\frac{F}{C} = 0$	GENERAL TOLERANCES (UNLESS SPECIFIED)				CHK'D: DSTEIER 2020/07/06										
DIVISIONAL SYMBOLS	4 PLACES		±	±	APPR: FSMITH 2020/07/13				PRODUCT CUSTOMER DRAWING						
	3 PLACES		±	± 0.01	INITIAL REVISION:				DOCUMENT NUMBER						
	2 PLACES		±	± 0.014	DRWN: AELHAG 2012/03/28				31911500-SD		DOC TYPE	DOC PART	REVISION		
1 PLACE		±	±	APPR: FSMITH 2012/04/25				PSD		000	A				
0 PLACES		±	±	ANGULAR TOL ± °				MATERIAL NUMBER		CUSTOMER		SHEET NUMBER			
DRAFT WHERE APPLICABLE MUST REMAIN WITHIN DIMENSIONS				THIRD ANGLE PROJECTION		DRAWING		SERIES		SEE CHART		GENERAL MARKET		2 OF 3	

RECEPTACLE			
PART NO.	ENG. NO.	MATERIAL	COLOR
19-09-1159	3191-15R1	UL94V-2	NATURAL
19-09-1156	3191-15R1-201	UL94V-0	IVORY

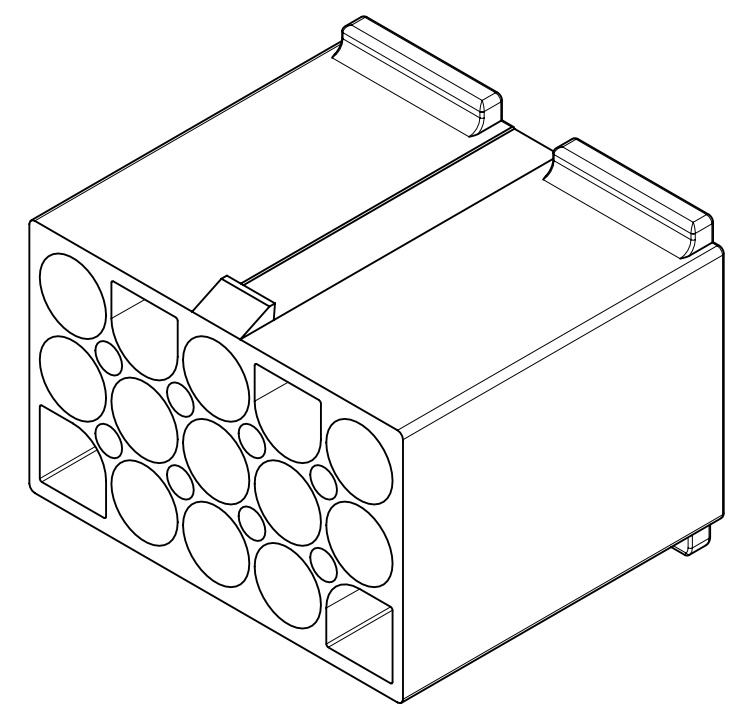
PLUG				
PART NO.	ENG. NO.	MOUNTING EARS	MATERIAL	COLOR
19-09-2158	3191-15P	YES	UL94V-2	NATURAL
19-09-2159	3191-15P1	NO	UL94V-2	NATURAL
19-09-2157	3191-15P-201	YES	UL94V-0	IVORY



RECEPTACLE HOUSING



PLUG PREBENT EARS



PLUG NO EARS

- NOTES:
1. MATERIAL: NYLON 6/6, SEE CHART FOR UL94 RATING AND COLOR
 2. FINISH: N/A
 3. PRODUCT SPECIFICATION: PS-02-09
 4. PACKAGING SPECIFICATION: 31910002-PK
 5. THIS HOUSING FOR USE WITH MOLEX .093/(2.36) DIA. TERMINALS.
 6. PARTS CONFORM TO CLASS B REQUIREMENTS OF COSMETIC SPECIFICATION PS-45499-002.
 7. TEXT ON PART IS FOR REFERENCE ONLY. TEXT AND TEXT LOCATION MAY VARY DEPENDING ON PART NUMBER AND/OR TOOL.
 8. THIS DRAWING REPLACES SD-3191-15R1*-* AND SD-3191-15P*-*.

FUNCTIONAL SYMBOLS $\frac{FA}{A} = 0$ $\frac{FC}{C} = 0$ $\frac{FP}{P} = 0$ DIVISIONAL SYMBOLS	THIS DRAWING CONTAINS INFORMATION THAT IS PROPRIETARY TO MOLEX ELECTRONIC TECHNOLOGIES, LLC AND SHOULD NOT BE USED WITHOUT WRITTEN PERMISSION		CURRENT REV DESC: RECRATE IN NX			
	DIMENSION UNITS: MM/INCH		SCALE: 1:1			EC NO: 639672 DRWN: MKIPPER CHK'D: DSTEIER APPR: FSMITH
	GENERAL TOLERANCES (UNLESS SPECIFIED)					
	4 PLACES ±		MM INCH			INITIAL REVISION: DRWN: AELHAG APPR: FSMITH
3 PLACES ±		± 0.01		2012/03/28 2012/04/25	DOCUMENT NUMBER: 31911500-SD DOC TYPE: PSD DOC PART: 000 REVISION: A	
2 PLACES ±		± 0.25 ± 0.014		DRAFT WHERE APPLICABLE MUST REMAIN WITHIN DIMENSIONS	MATERIAL NUMBER: SEE CHART CUSTOMER: GENERAL MARKET SHEET NUMBER: 3 OF 3	
1 PLACE ±		± 0.36 ±		THIRD ANGLE PROJECTION	DRAWING: C-SIZE SERIES: 3191	
0 PLACES ±		±				