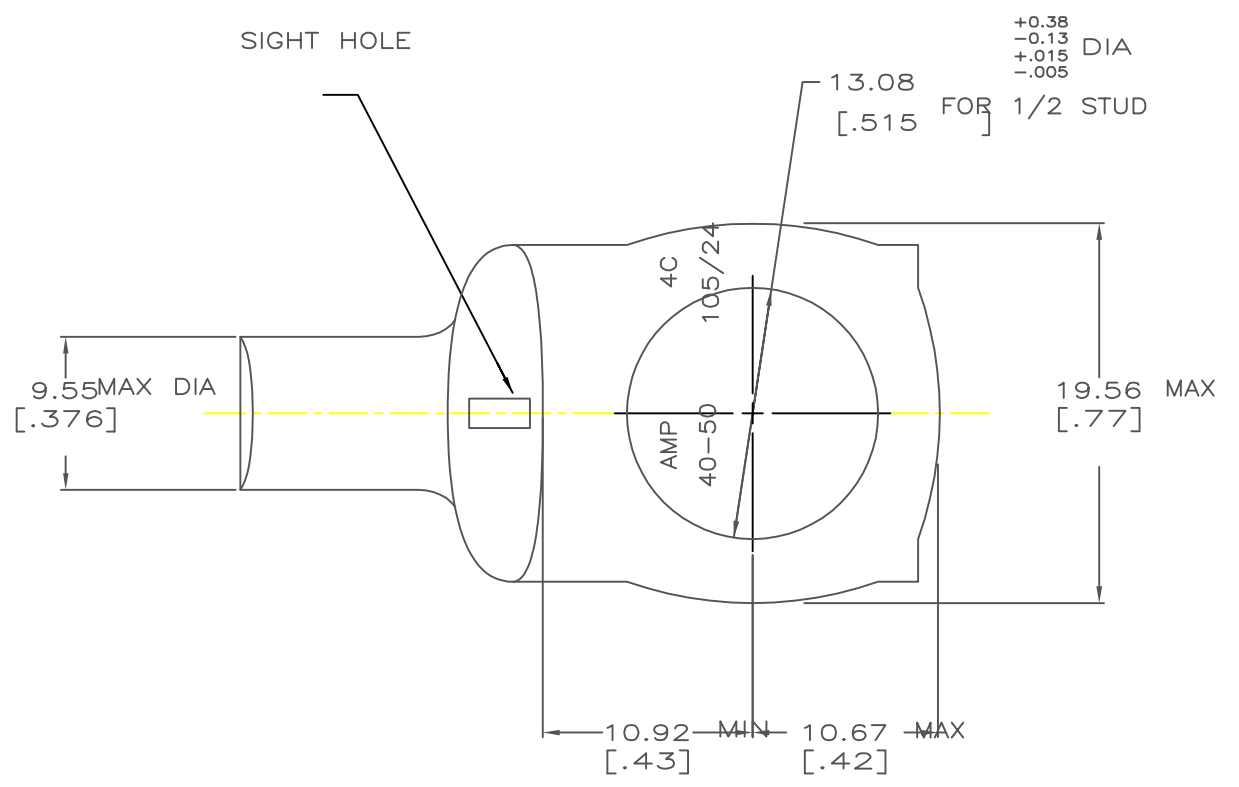
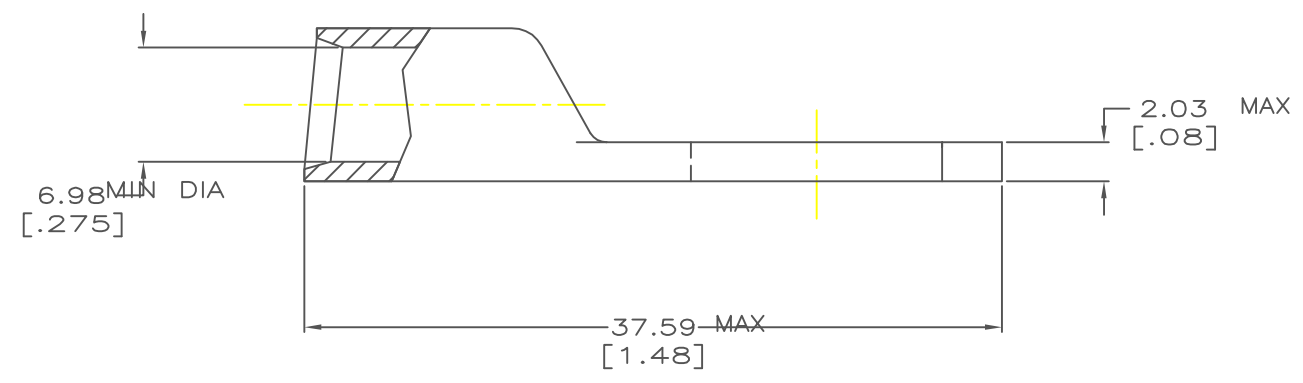


DRAWING MADE IN THIRD ANGLE PROJECTION  
 THIS DRAWING IS UNPUBLISHED. RELEASED FOR PUBLICATION .19  
 © COPYRIGHT 19 BY AMP INCORPORATED. ALL INTERNATIONAL RIGHTS RESERVED.

LOC		DIST		REVISIONS			
ZONE	LTR	DESCRIPTION	DATE	APPD			
G	86	P	F	E	Removal of color coding on the barrel of the lug	06/06/2017	WJ



1 TIN PL 0.00381[.000150] MIN THK PER MIL-T-10727  
 2 CIRCULAR MIL AREA RANGE: 33,100-52,600 CM



DO NOT SCALE PRINT. UNLESS SPECIFIED		DR 03/09/90 DK SCHRUM		PART NO 328178-1	
DIMENSIONS IN mm [INCHES]		CHK 3/92 AJ KAUFMAN		AMP AMP Incorporated Harrisburg, PA 17105-3608	
TOLERANCES ON :		APPD 3/92 WJ VOCKROTH		AMP	
2 PLC DEC ± 0.51[.020]		APPD 3/92 CR RHOADS		TERMINAL, AMPOWER™	
3 PLC DEC ± -		PRODUCT SPEC 108-30200		WIRE SIZE: 21.0mm <sup>2</sup> [4] AWG	
ANGLES ± -		APPLICATION SPEC -		DRAWING NO 328178	
MATERIAL COPPER ASTM B-188 ANNEALED		WEIGHT		SCALE 4:1	
FINISH		SIZE C 00779		SHEET 10F 1	

**METRIC**