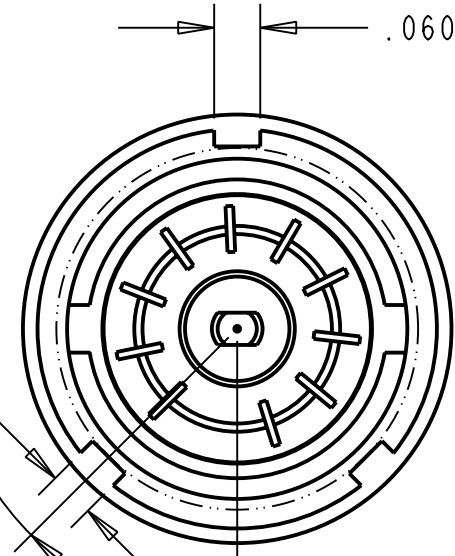
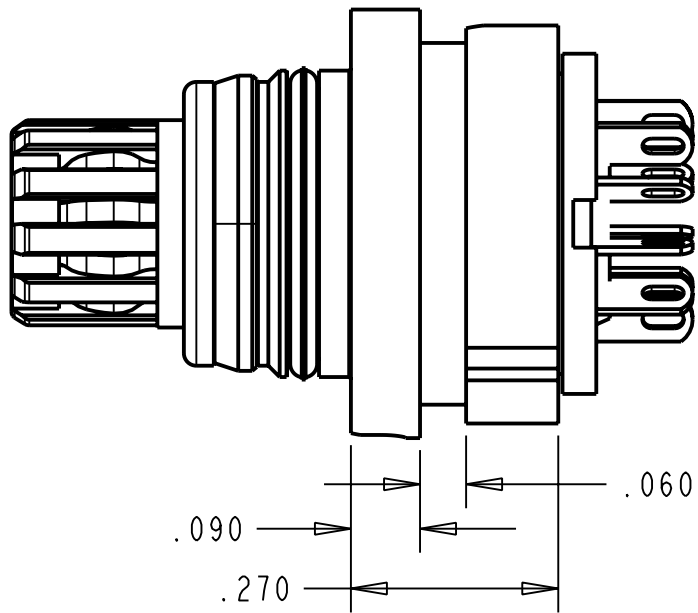
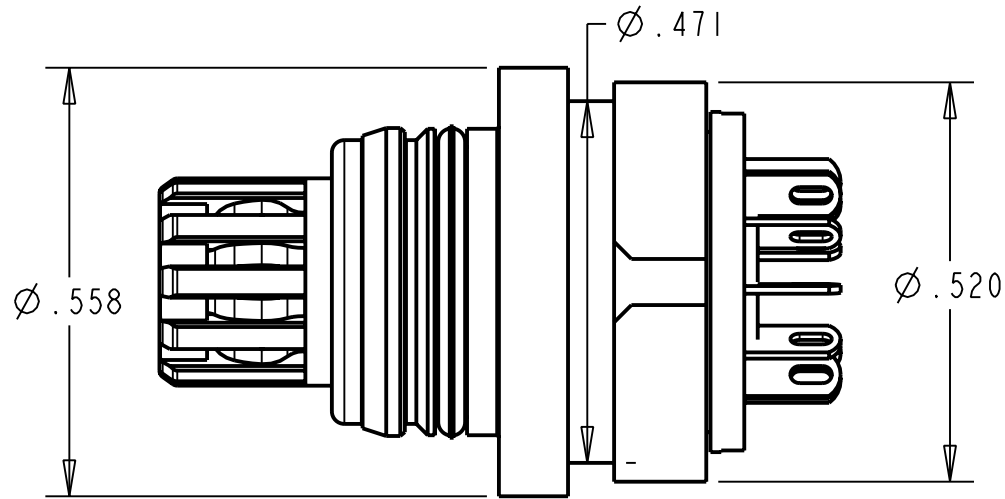


A AP-1100M-CP

PROPRIETARY - NEXUS
ORDERING PART NUMBER: AP-1100M



THIS DOCUMENT CONTAINS PROPRIETARY INFORMATION OF NEXUS, INCORPORATED AND SUCH INFORMATION MAY NOT BE DISCLOSED TO OTHERS FOR ANY PURPOSE OR USED FOR ANY PURPOSE WITHOUT THE WRITTEN CONSENT OF NEXUS.

					DWN. BY LDE	DATE 13-Oct-06	MATERIAL
					CHECKED BY	DATE	FINISH
					APPR. BY	DATE	WEIGHT _____
					UNLESS OTHERWISE SPECIFIED DIMENSIONS ARE IN INCHES TOLERANCES ON		SCALE = 4.00 : 1
					.XX ±.003	ANGLES ±.5°	TITLE
LET.	REVISION	CN #	DATE	CHK.			PLUG OM
							ORDERING PART NUMBER: AP-1100M
							DO NOT SCALE DWG. SHEET 1 OF 1
							NEXUS STAMFORD, CONN.
							SIZE DWG. NO.
							A AP-1100M-CP